

BURNHAM®

Commercial Boilers

RATINGS AND DATA

Shell Diameter : 48"
 Gross Output - BHP : 40.5
 Gross Output - MBH : 1354
 Gross Output - Lbs/Hr : 1396
 Net Rating - MBH : 1024
 Net Rating - Sq. Ft. : 4267
 Safety Valve - Lbs/Hr. : 1600

Heating Surface - Sq. Ft.
 Fireside - 200
 Firetubes
 Number - 92
 Diameter - 2" O.D.

Firing Rate
 1000 BTU Gas (MBH) - 1674
 140000 BTU/Gal Oil (GPH) - 11.7
 150000 BTU/Gal Oil (GPH) - 10.9

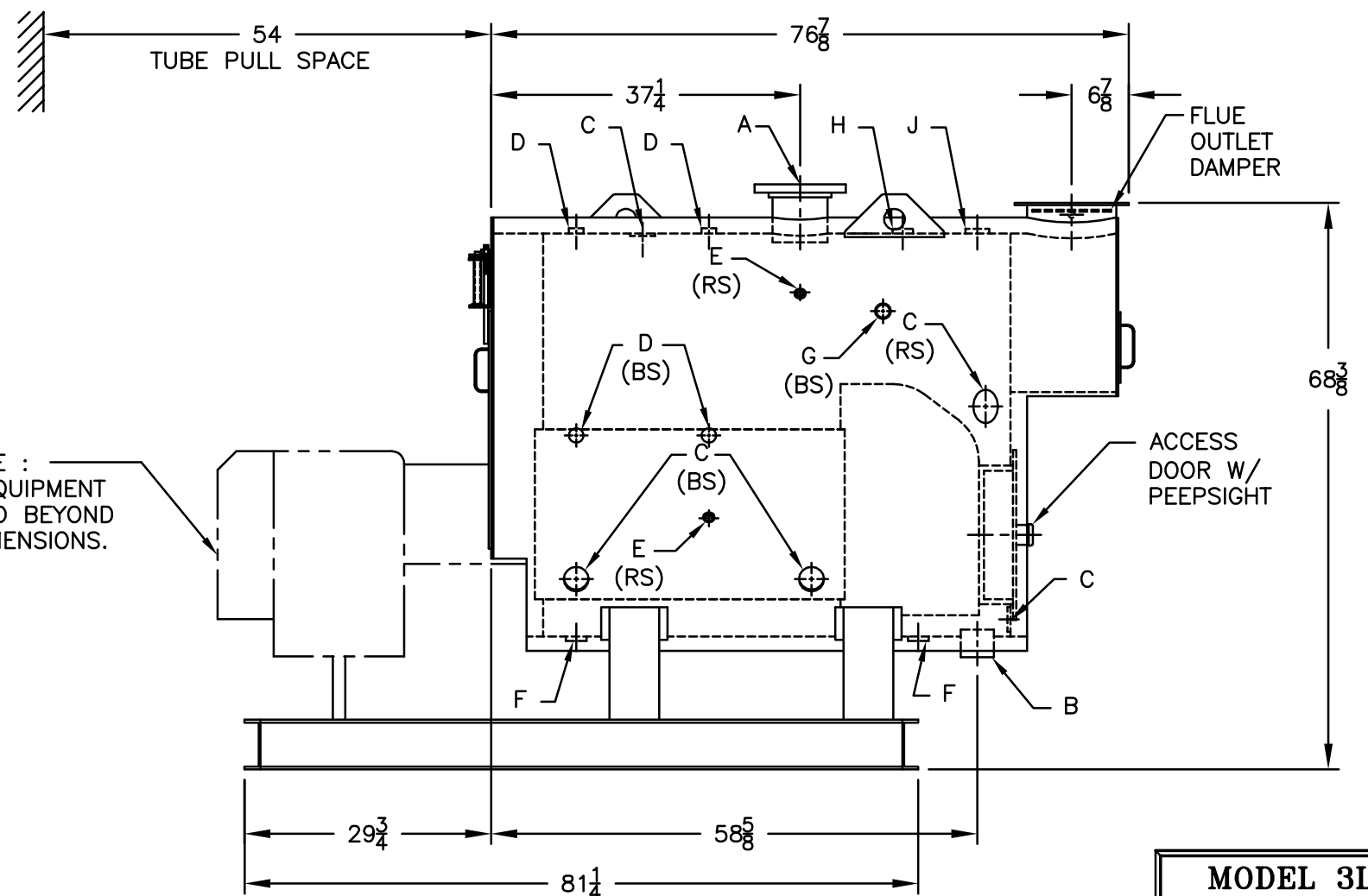
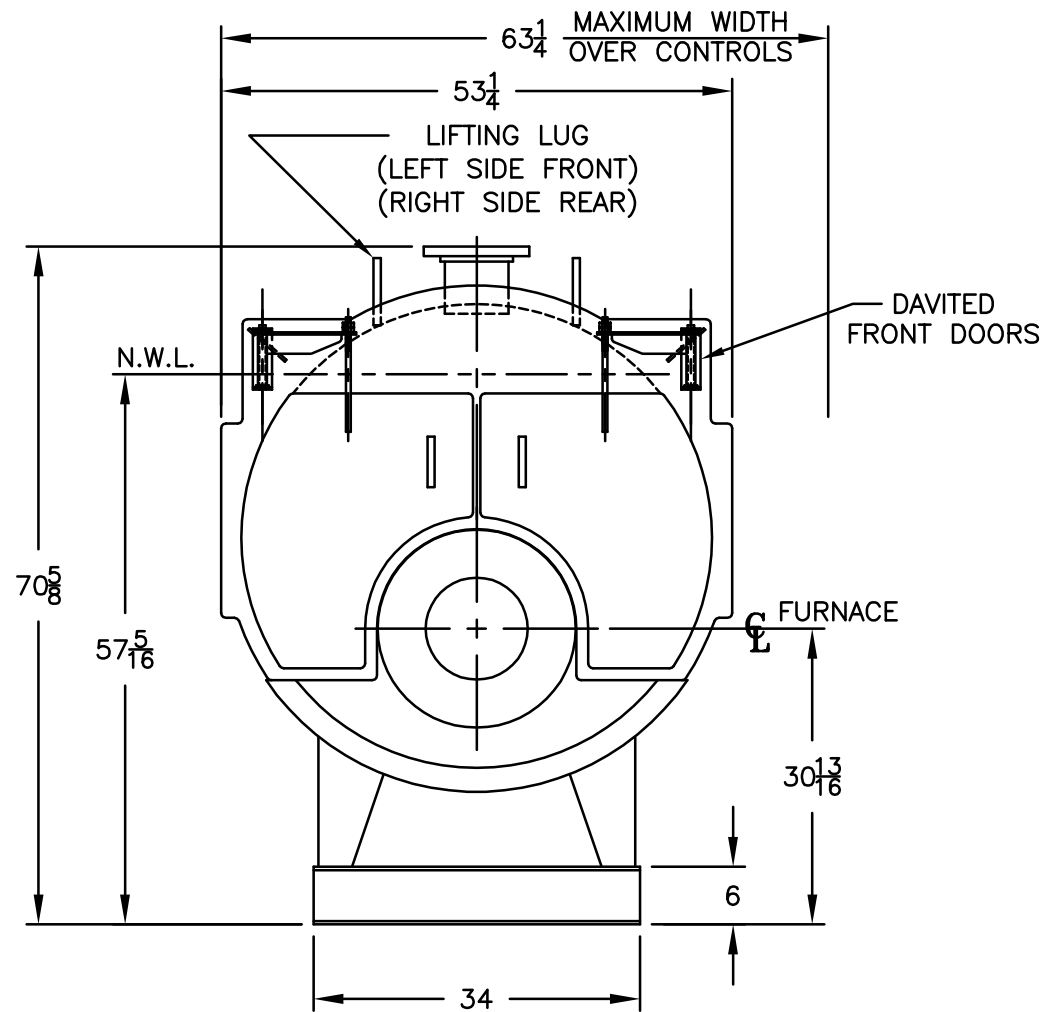
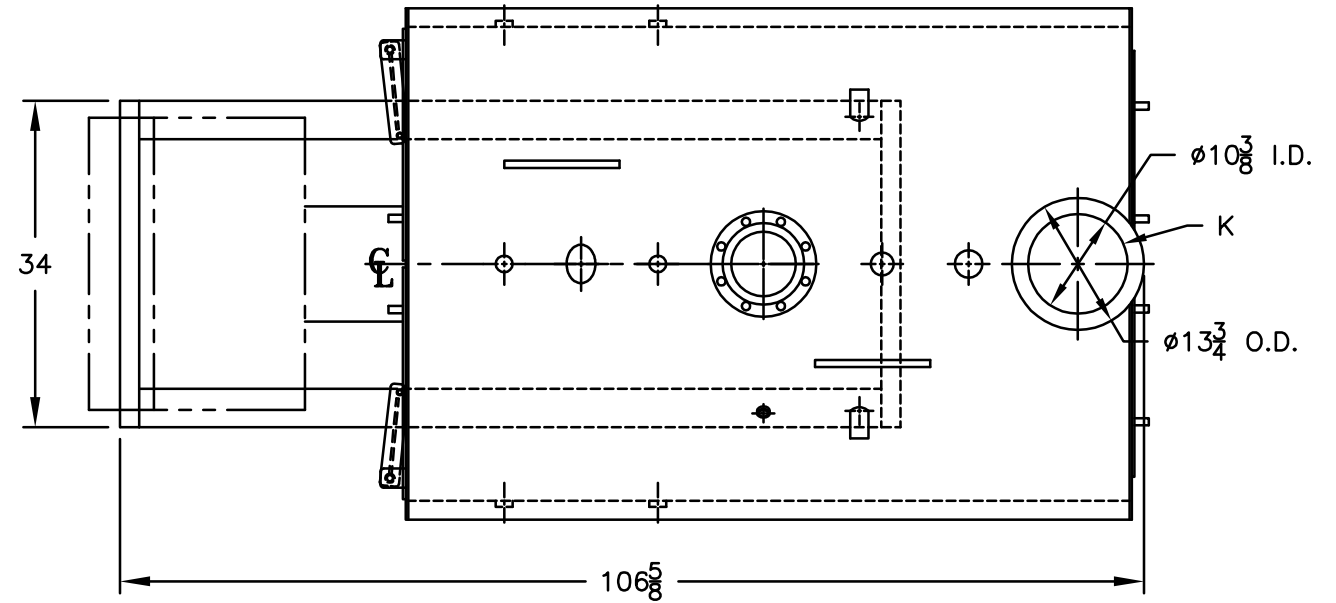
Water Content
 Pounds - 1839
 Gallons (U.S.) - 220
 Approximate Weight/LBS.
 Dry - 3920
 Wet - 5759

LEGEND

BS = BOTH SIDES
 RS = RIGHT SIDE

LEGEND CONNECTIONS

- A = 6" FLANGED SUPPLY (150#)
- B = 3" RETURN
- C = 3" x 4" HANDHOLE
- D = 1" WATER COLUMN
- E = 3/4" AQUASTAT/LFHA
- F = 1-1/2" BOTTOM BLOWDOWN
- G = 1-1/2" SURFACE BLOWOFF
- H = 1-1/2" AUXILIARY CONNECTION
- J = 2" SAFETY VALVE
- K = 10" NOMINAL FLUE DIAMETER



NOTE :
 BURNER EQUIPMENT
 MAY EXTEND BEYOND
 BOILER DIMENSIONS.

MODEL 3L-40
40.5 BHP
15 PSI STEAM