

# BURNHAM®

## Commercial Boilers

### RATINGS AND DATA

Shell Diameter : 48"  
 Gross Output - BHP : 61.7  
 Gross Output - MBH : 2064  
 Gross Output - Lbs/Hr : 2128  
 Net Rating - MBH : 1603  
 Net Rating - Sq. Ft. : 6677  
 Safety Valve - Lbs/Hr. : 2400

Heating Surface - Sq. Ft.  
 Fireside - 300  
 Firetubes  
 Number - 92  
 Diameter - 2" O.D.

Firing Rate  
 1000 BTU Gas (MBH) - 2511  
 140000 BTU/Gal Oil (GPH) - 17.4  
 150000 BTU/Gal Oil (GPH) - 16.2

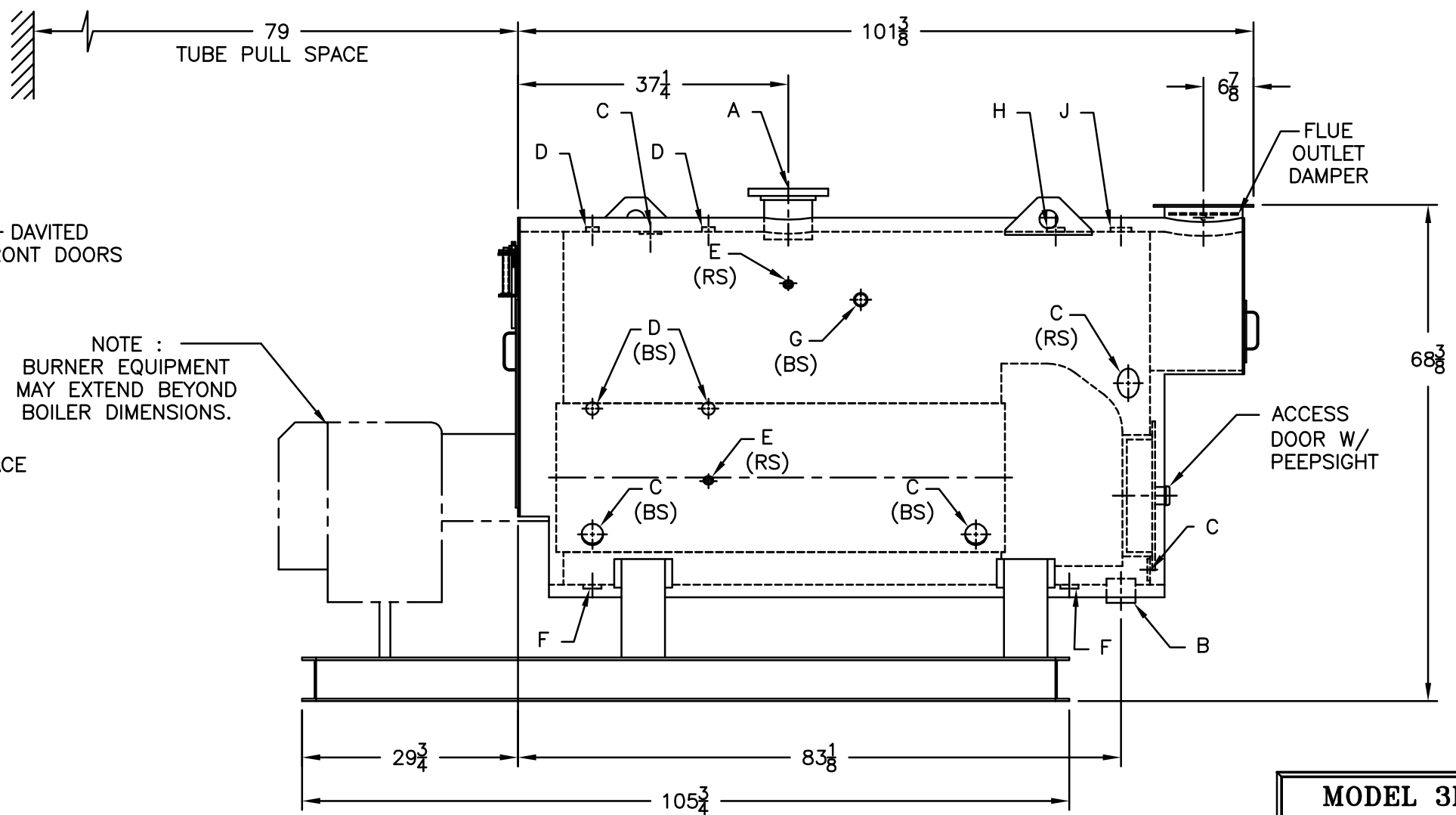
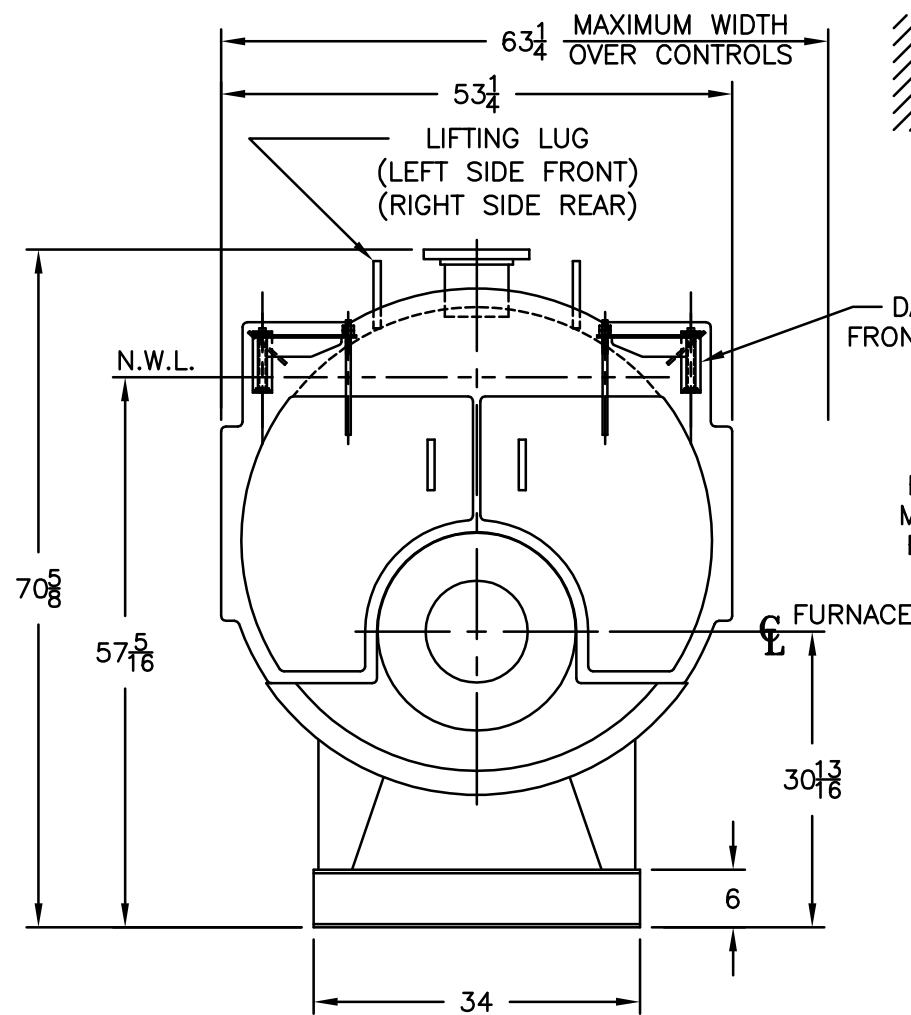
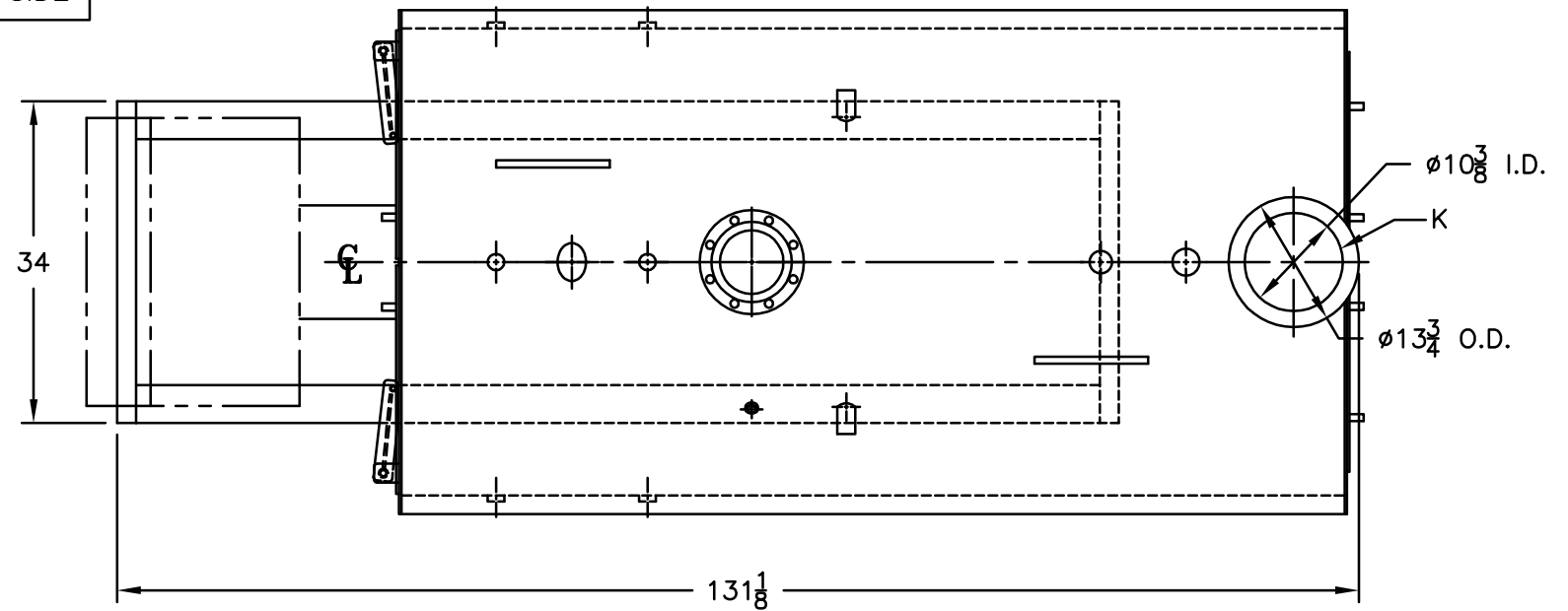
Water Content  
 Pounds - 2747  
 Gallons (U.S.) - 329  
 Approximate Weight/LBS.  
 Dry - 4840  
 Wet - 7587

### LEGEND

BS = BOTH SIDES  
 RS = RIGHT SIDE

### LEGEND CONNECTIONS

- A = 6" FLANGED SUPPLY (150#)
- B = 3" RETURN
- C = 3" x 4" HANDHOLE
- D = 1" WATER COLUMN
- E = 3/4" AQUASTAT/LFHA
- F = 1-1/2" BOTTOM BLOWDOWN
- G = 1-1/2" SURFACE BLOWOFF
- H = 1-1/2" AUXILIARY CONNECTION
- J = 2" SAFETY VALVE
- K = 10" NOMINAL FLUE DIAMETER



NOTE :  
 BURNER EQUIPMENT  
 MAY EXTEND BEYOND  
 BOILER DIMENSIONS.

**MODEL 3L-60**  
**61.7 BHP**  
**15 PSI STEAM**

SPECIFICATIONS SUBJECT TO CHANGE WITHOUT NOTICE ALL CONNECTIONS ARE THREADED UNLESS OTHERWISE SPECIFIED  
 THIS DOCUMENT CONTAINS CONFIDENTIAL INFORMATION WHICH IS THE PROPERTY OF BURNHAM COMMERCIAL. THIS DOCUMENT MAY NOT BE REPRODUCED, TRANSFERRED OR USED, OR ITS CONTENTS DISCLOSED, WITHOUT THE WRITTEN PERMISSION OF THE OWNER.