

BURNHAM®

Commercial Boilers

RATINGS AND DATA

Shell Diameter : 54"
 Gross Output - BHP : 82.4
 Gross Output - MBH : 2759
 Gross Output - Lbs/Hr : 2844
 Net Rating - MBH : 2142
 Net Rating - Sq. Ft. : 8925
 Safety Valve - Lbs/Hr. : 3200

Heating Surface - Sq. Ft.
 Fireside - 400
 Firetubes
 Number - 106
 Diameter - 2" O.D.

Firing Rate
 1000 BTU Gas (MBH) - 3348
 140000 BTU/Gal Oil (GPH) - 23.0
 150000 BTU/Gal Oil (GPH) - 21.5

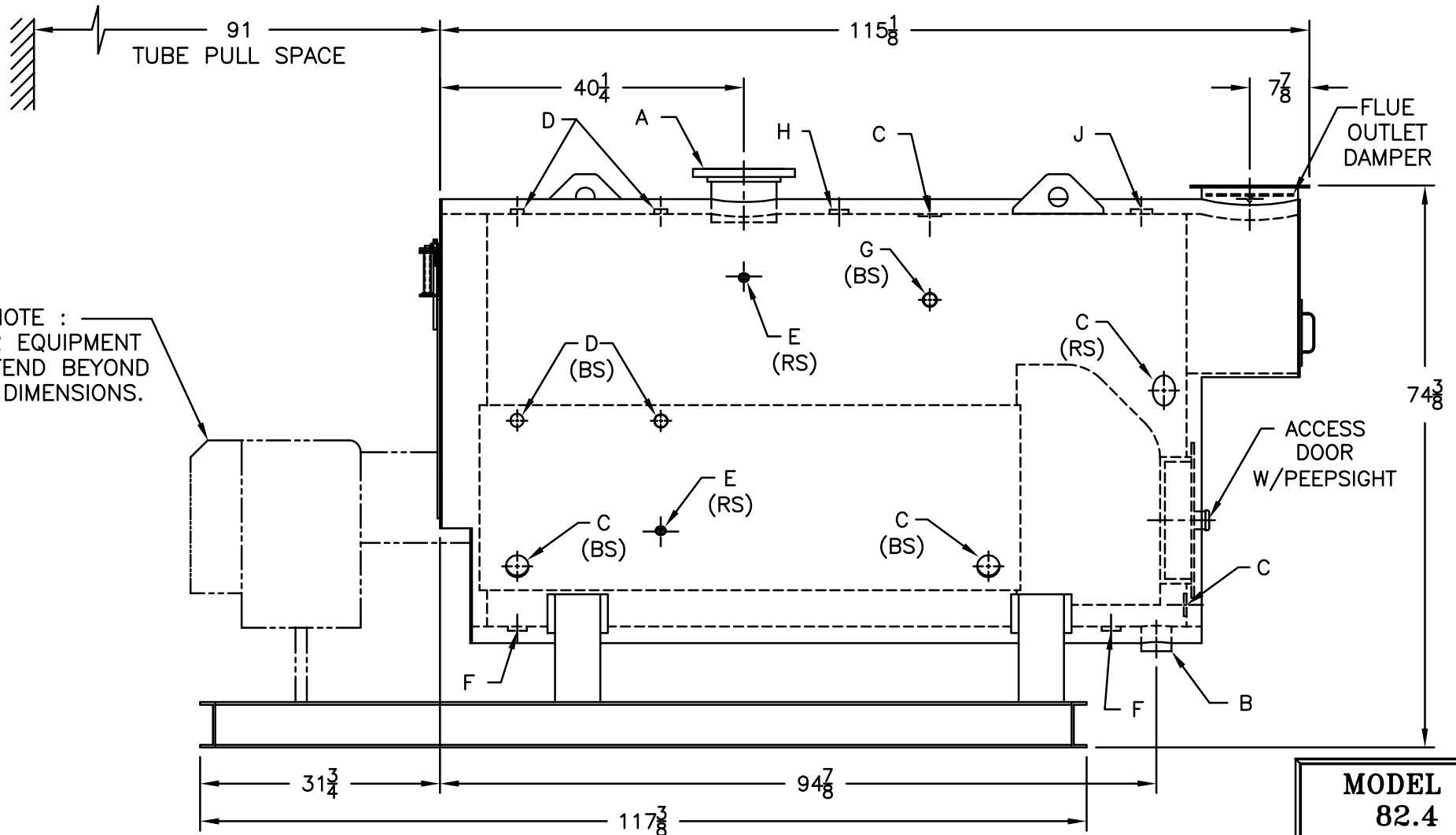
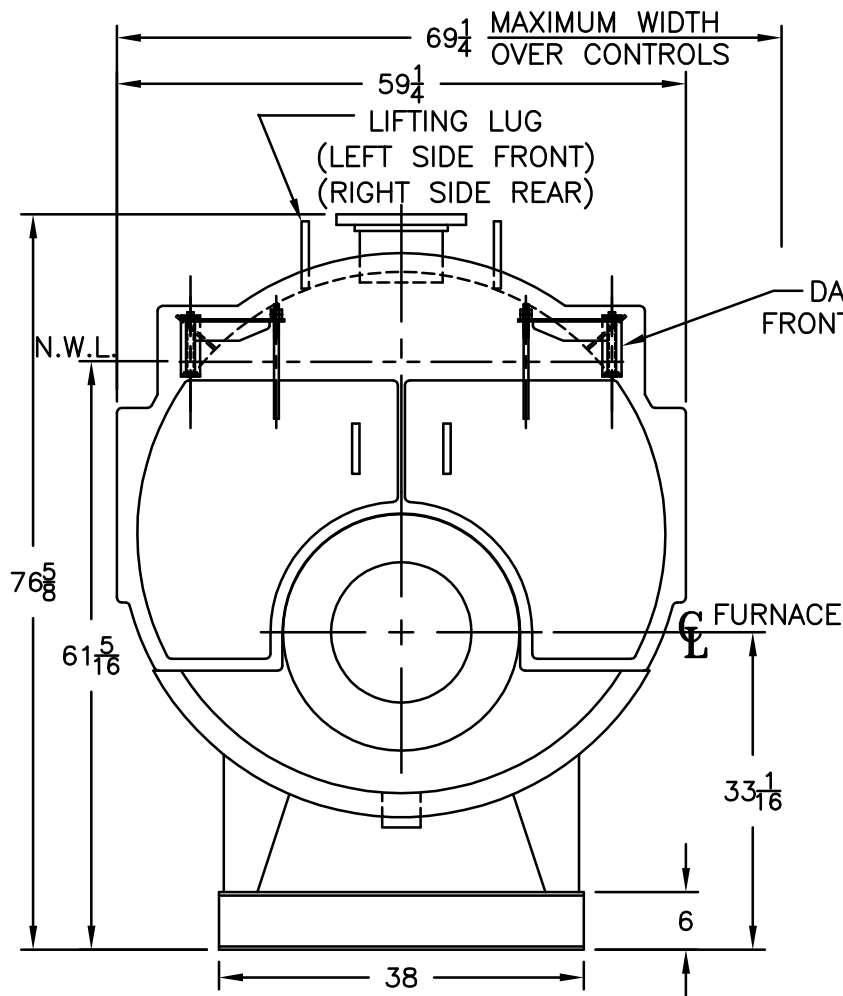
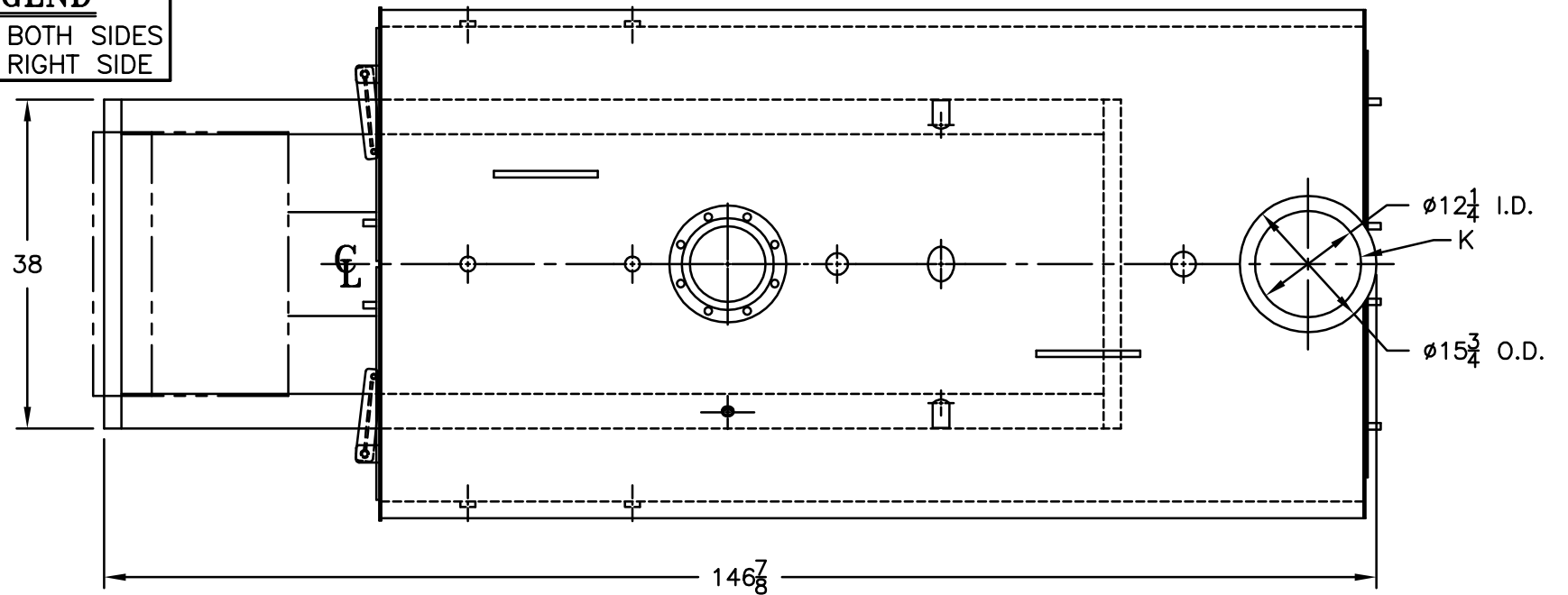
Water Content
 Pounds - 3815
 Gallons (U.S.) - 457
 Approximate Weight/LBS.
 Dry - 5900
 Wet - 9715

LEGEND CONNECTIONS

- A = 8" FLANGED SUPPLY (150#)
- B = 3" RETURN
- C = 3" x 4" HANDHOLE
- D = 1" WATER COLUMN
- E = 3/4" AQUASTAT
- F = 1-1/2" BOTTOM BLOWDOWN
- G = 1-1/2" SURFACE BLOWOFF
- H = 1-1/2" AUXILIARY CONNECTION
- J = 2-1/2" SAFETY VALVE
- K = 12" NOMINAL FLUE DIAMETER

LEGEND

- BS = BOTH SIDES
- RS = RIGHT SIDE



NOTE :
 BURNER EQUIPMENT
 MAY EXTEND BEYOND
 BOILER DIMENSIONS.

SPECIFICATIONS SUBJECT TO CHANGE WITHOUT NOTICE ALL CONNECTIONS ARE THREADED UNLESS OTHERWISE SPECIFIED
 THIS DOCUMENT CONTAINS CONFIDENTIAL INFORMATION WHICH IS THE PROPERTY OF BURNHAM COMMERCIAL. THIS DOCUMENT MAY NOT BE REPRODUCED, TRANSFERRED OR USED, OR ITS CONTENTS DISCLOSED, WITHOUT THE WRITTEN PERMISSION OF THE OWNER.

MODEL 3L-80
82.4 BHP
15 PSI STEAM