

# BURNHAM®

## Commercial Boilers

### LEGEND CONNECTIONS

- A = 3" SUPPLY
- B = 1-1/4" RETURN
- C = 3" x 4" HANDHOLE
- D = 1" WATER COLUMN
- E = 3/4" AQUASTAT
- F = 1-1/2" BOTTOM BLOWDOWN
- G = 1-1/2" SURFACE BLOWOFF
- H = 2" AUXILIARY CONNECTION
- J = 1" SAFETY VALVE
- K = 10" NOMINAL FLUE DIAMETER

### RATINGS AND DATA

Shell Diameter : 48"  
 Gross Output - BHP : 40  
 Gross Output - MBH : 1339  
 Gross Output - Lbs/Hr : 1380  
 Net Rating - MBH : 1011  
 Net Rating - Sq. Ft. : 4213  
 Safety Valve - Lbs/Hr. : 1562

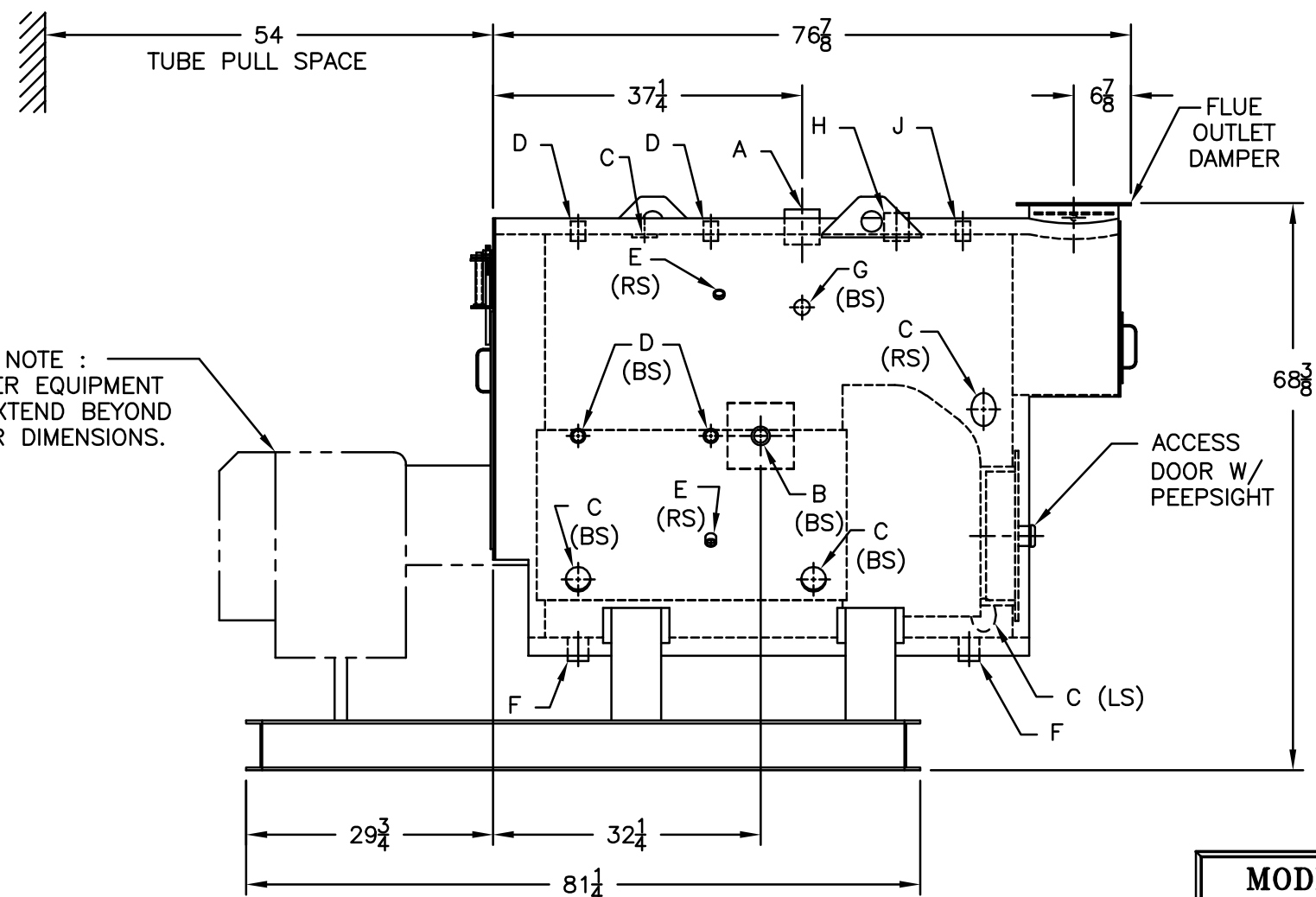
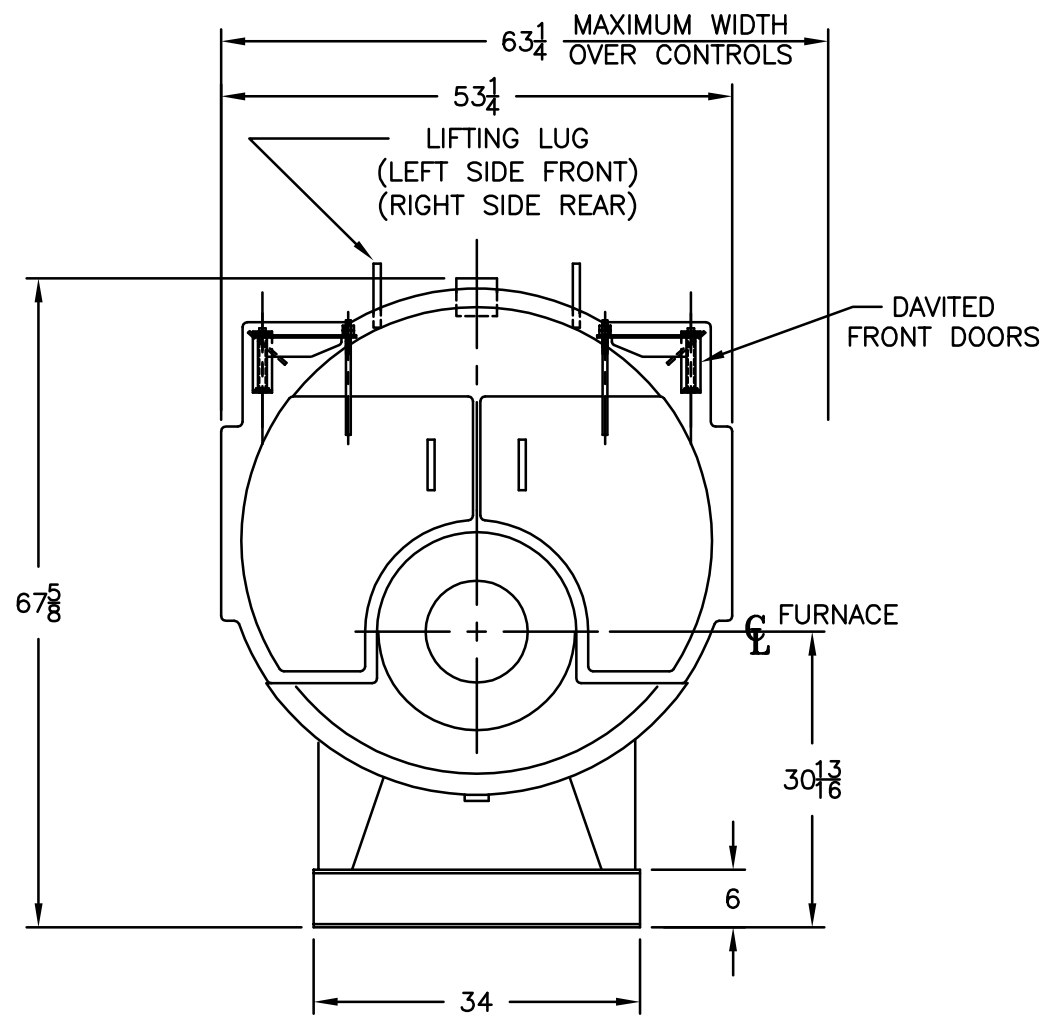
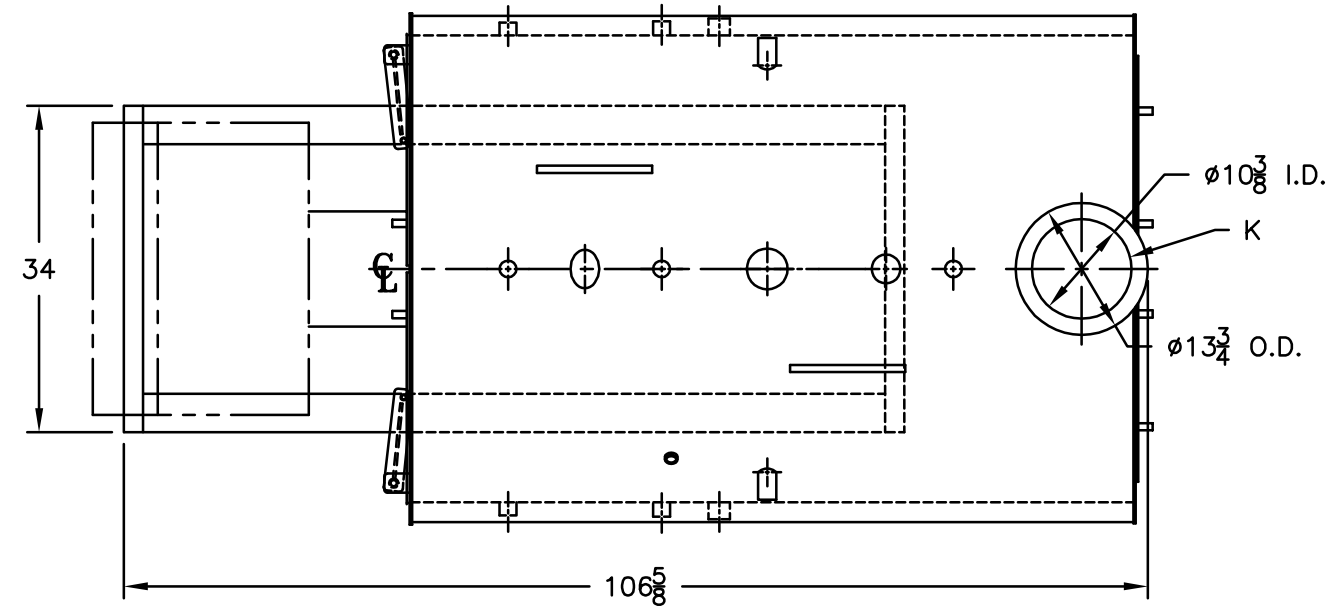
Heating Surface - Sq. Ft.  
 Fireside - 200  
 Firetubes  
 Number - 92  
 Diameter - 2" O.D.

Firing Rate  
 1000 BTU Gas (MBH) - 1674  
 140000 BTU/Gal Oil (GPH) - 11.7  
 150000 BTU/Gal Oil (GPH) - 10.9

Water Content  
 Pounds - 1988  
 Gallons (U.S.) - 239  
 Approximate Weight/LBS.  
 Dry - 4200  
 Wet - 6188

### LEGEND

BS = BOTH SIDES  
 RS = RIGHT SIDE



**MODEL 3P-40**  
**40 BHP**  
**150 PSI STEAM**

SPECIFICATIONS SUBJECT TO CHANGE WITHOUT NOTICE ALL CONNECTIONS ARE THREADED UNLESS OTHERWISE SPECIFIED  
 THIS DOCUMENT CONTAINS CONFIDENTIAL INFORMATION WHICH IS THE PROPERTY OF BURNHAM COMMERCIAL. THIS DOCUMENT MAY NOT BE REPRODUCED, TRANSFERRED OR USED, OR ITS CONTENTS DISCLOSED, WITHOUT THE WRITTEN PERMISSION OF THE OWNER.