

BURNHAM®

Commercial Boilers

LEGEND CONNECTIONS

- A = 3" SUPPLY
- B = 1-1/4" RETURN
- C = 3" x 4" HANDHOLE
- D = 1" WATER COLUMN
- E = 3/4" AQUASTAT
- F = 1-1/2" BOTTOM BLOWDOWN
- G = 1-1/2" SURFACE BLOWOFF
- H = 2" AUXILIARY CONNECTION
- J = 1" SAFETY VALVE
- K = 10" NOMINAL FLUE DIAMETER

RATINGS AND DATA

Shell Diameter : 48"
 Gross Output - BHP : 50
 Gross Output - MBH : 1674
 Gross Output - Lbs/Hr : 1725
 Net Rating - MBH : 1290
 Net Rating - Sq. Ft. : 5375
 Safety Valve - Lbs/Hr. : 1953

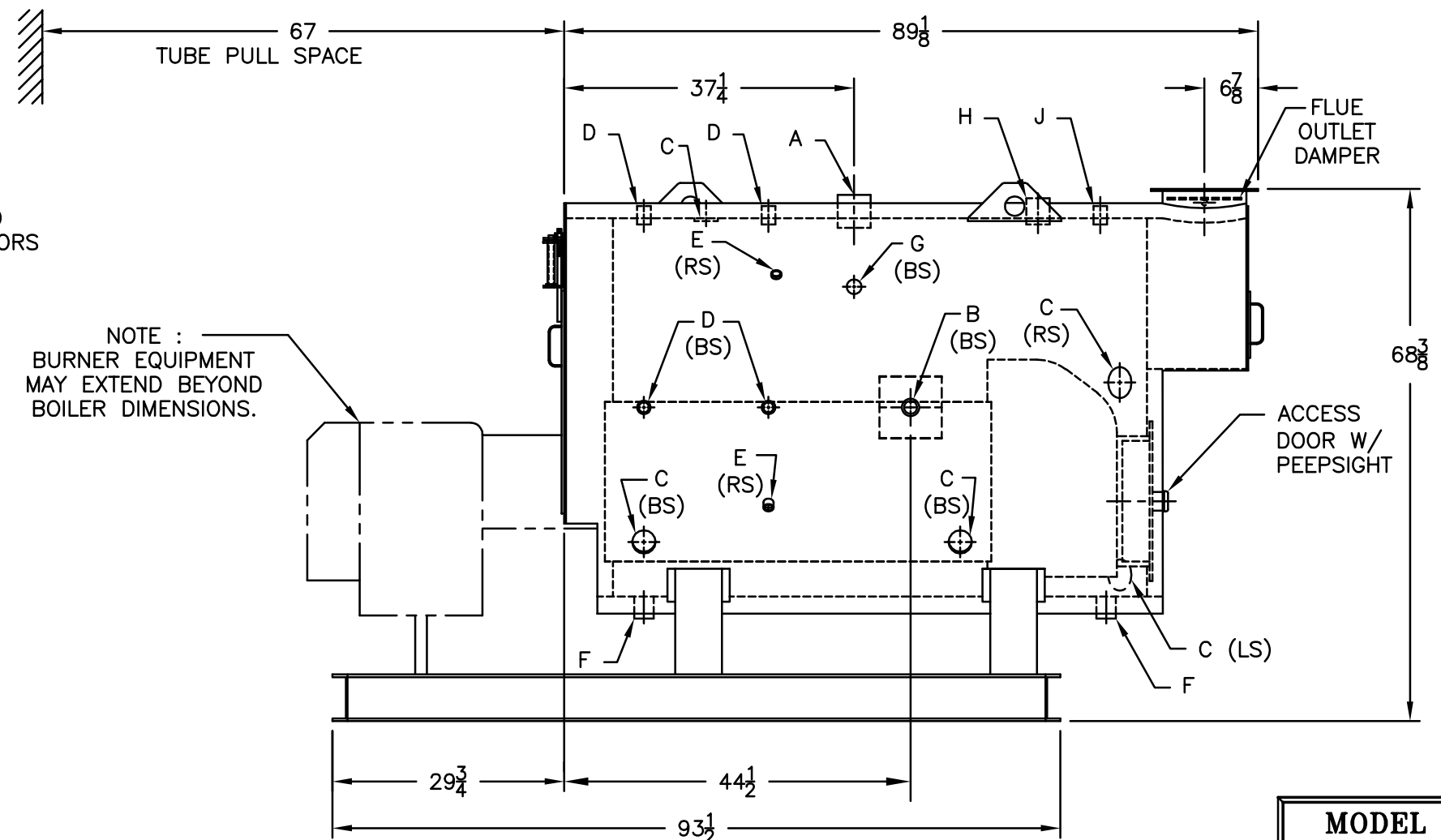
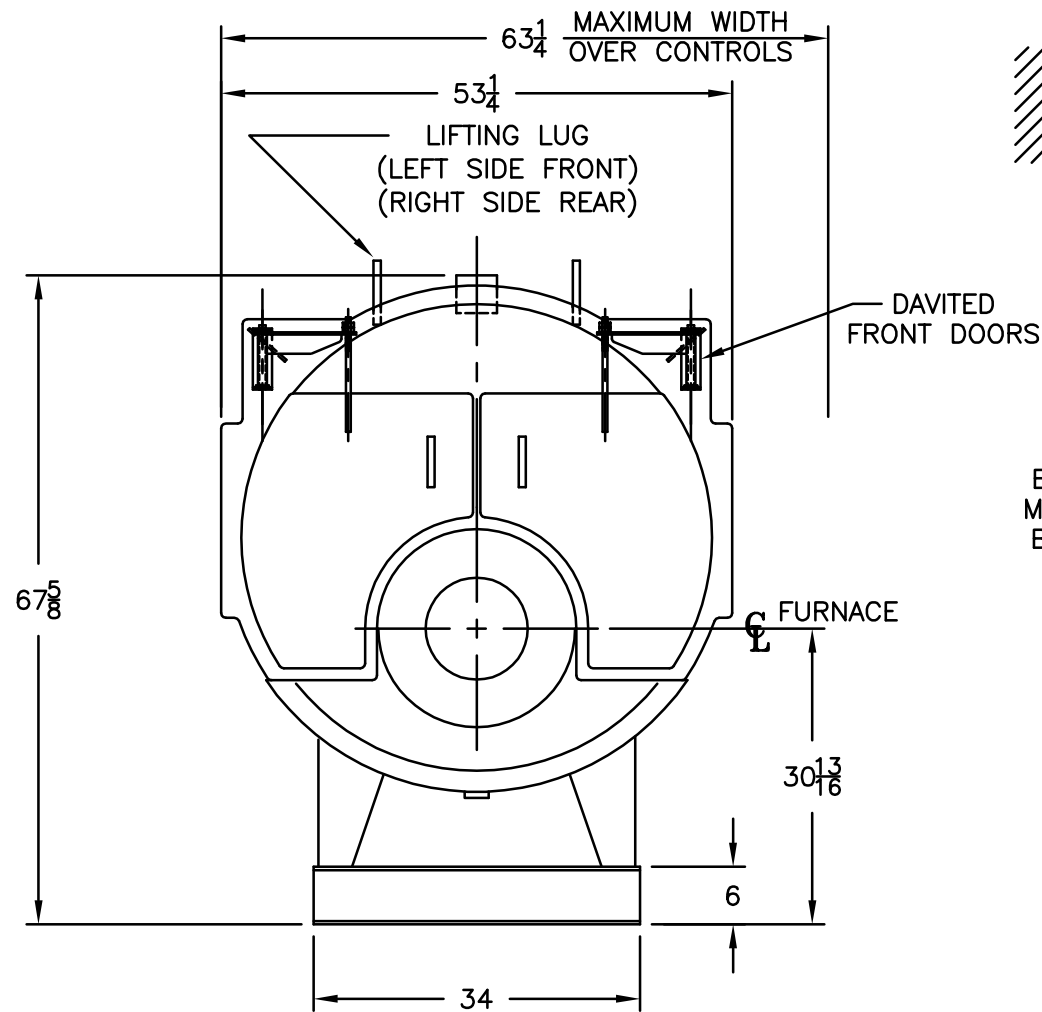
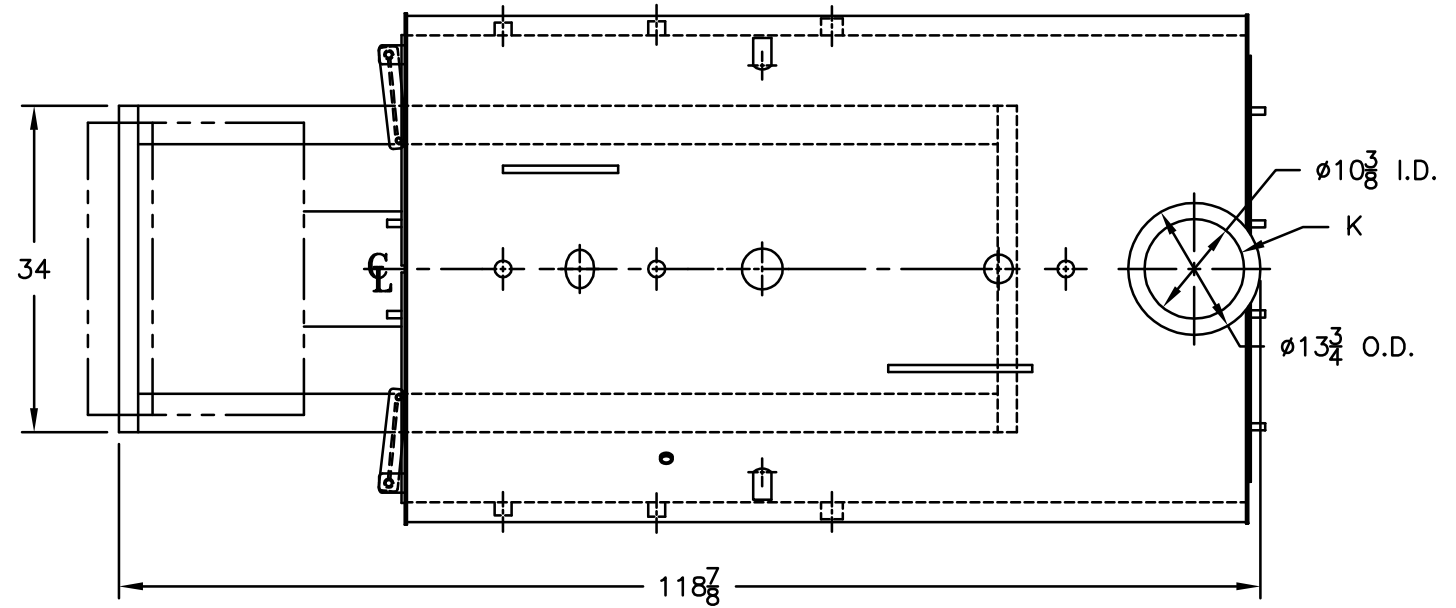
Heating Surface - Sq. Ft.
 Fireside - 250
 Firetubes
 Number - 92
 Diameter - 2" O.D.

Firing Rate
 1000 BTU Gas (MBH) - 2092
 140000 BTU/Gal Oil (GPH) - 14.5
 150000 BTU/Gal Oil (GPH) - 13.5

Water Content
 Pounds - 2468
 Gallons (U.S.) - 296
 Approximate Weight/LBS.
 Dry - 4700
 Wet - 7168

LEGEND

- BS = BOTH SIDES
- RS = RIGHT SIDE
- LS = LEFT SIDE



SPECIFICATIONS SUBJECT TO CHANGE WITHOUT NOTICE ALL CONNECTIONS ARE THREADED UNLESS OTHERWISE SPECIFIED
 THIS DOCUMENT CONTAINS CONFIDENTIAL INFORMATION WHICH IS THE PROPERTY OF BURNHAM COMMERCIAL. THIS DOCUMENT MAY NOT BE REPRODUCED, TRANSFERRED OR USED, OR ITS CONTENTS DISCLOSED, WITHOUT THE WRITTEN PERMISSION OF THE OWNER.

MODEL 3P-50
50 BHP
150 PSI STEAM