

# BURNHAM®

## Commercial Boilers

### LEGEND CONNECTIONS

- A = 3" SUPPLY
- B = 1-1/4" RETURN
- C = 3" x 4" HANDHOLE
- D = 1" WATER COLUMN
- E = 3/4" AQUASTAT
- F = 1-1/2" BOTTOM BLOWDOWN
- G = 1-1/2" SURFACE BLOWOFF
- H = 2" AUXILIARY CONNECTION
- J = 1" SAFETY VALVE
- K = 10" NOMINAL FLUE DIAMETER

### RATINGS AND DATA

Shell Diameter : 48"  
 Gross Output - BHP : 60  
 Gross Output - MBH : 2009  
 Gross Output - Lbs/Hr : 2070  
 Net Rating - MBH : 1560  
 Net Rating - Sq. Ft. : 6500  
 Safety Valve - Lbs/Hr. : 2343

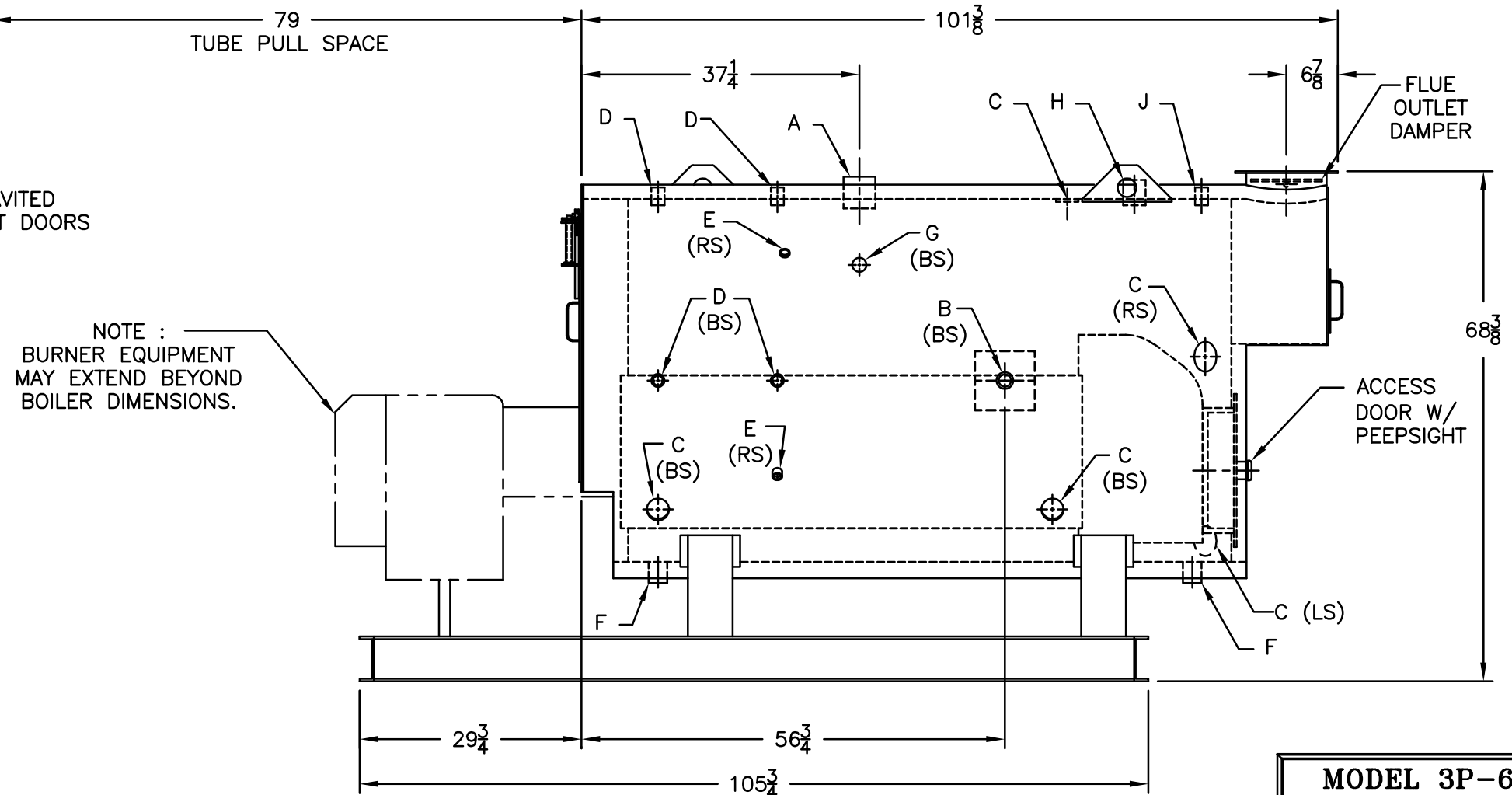
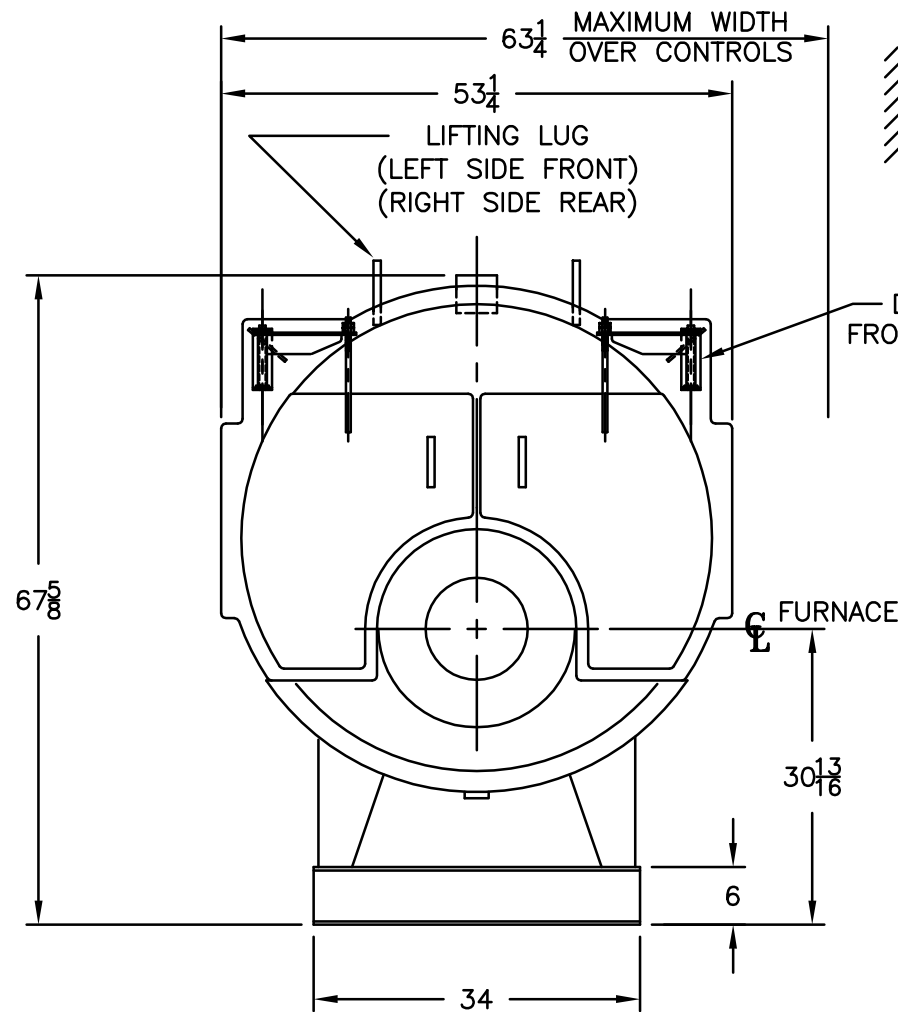
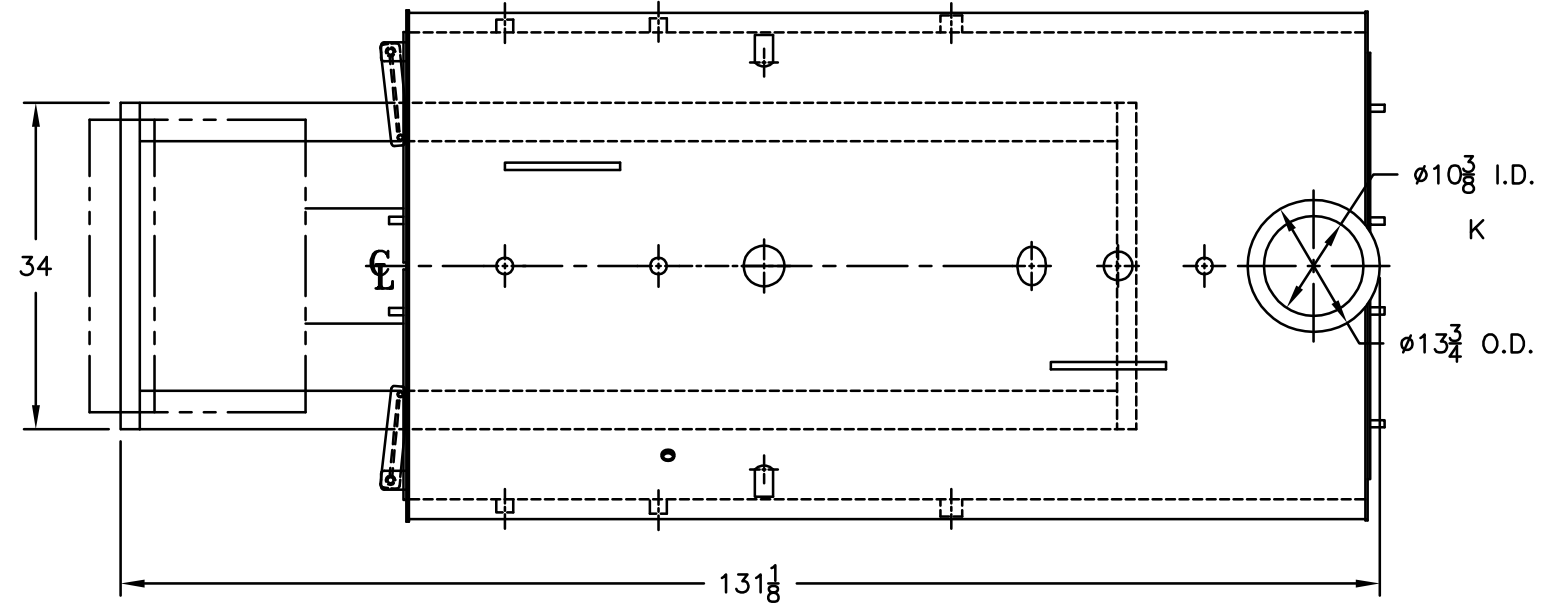
Heating Surface - Sq. Ft.  
 Fireside - 300  
 Firetubes  
 Number - 92  
 Diameter - 2" O.D.

Firing Rate  
 1000 BTU Gas (MBH) - 2511  
 140000 BTU/Gal Oil (GPH) - 17.4  
 150000 BTU/Gal Oil (GPH) - 16.2

Water Content  
 Pounds - 2948  
 Gallons (U.S.) - 354  
 Approximate Weight/LBS.  
 Dry - 5200  
 Wet - 8148

### LEGEND

- BS = BOTH SIDES
- RS = RIGHT SIDE
- LS = LEFT SIDE



**MODEL 3P-60**  
**60 BHP**  
**150 PSI STEAM**

SPECIFICATIONS SUBJECT TO CHANGE WITHOUT NOTICE ALL CONNECTIONS ARE THREADED UNLESS OTHERWISE SPECIFIED  
 THIS DOCUMENT CONTAINS CONFIDENTIAL INFORMATION WHICH IS THE PROPERTY OF BURNHAM COMMERCIAL. THIS DOCUMENT MAY NOT BE REPRODUCED, TRANSFERRED OR USED, OR ITS CONTENTS DISCLOSED, WITHOUT THE WRITTEN PERMISSION OF THE OWNER.