

BURNHAM®

Commercial Boilers

RATINGS AND DATA

Shell Diameter : 54"
 Gross Output - BHP : 70
 Gross Output - MBH : 2343
 Gross Output - Lbs/Hr : 2415
 Net Rating - MBH : 1819
 Net Rating - Sq. Ft. : 7580
 Safety Valve - Lbs/Hr. : 2734

Heating Surface - Sq. Ft.
 Fireside - 350
 Firetubes
 Number - 106
 Diameter - 2" O.D.

Firing Rate
 1000 BTU Gas (MBH) - 2929
 140000 BTU/Gal Oil (GPH) - 20.1
 150000 BTU/Gal Oil (GPH) - 18.8

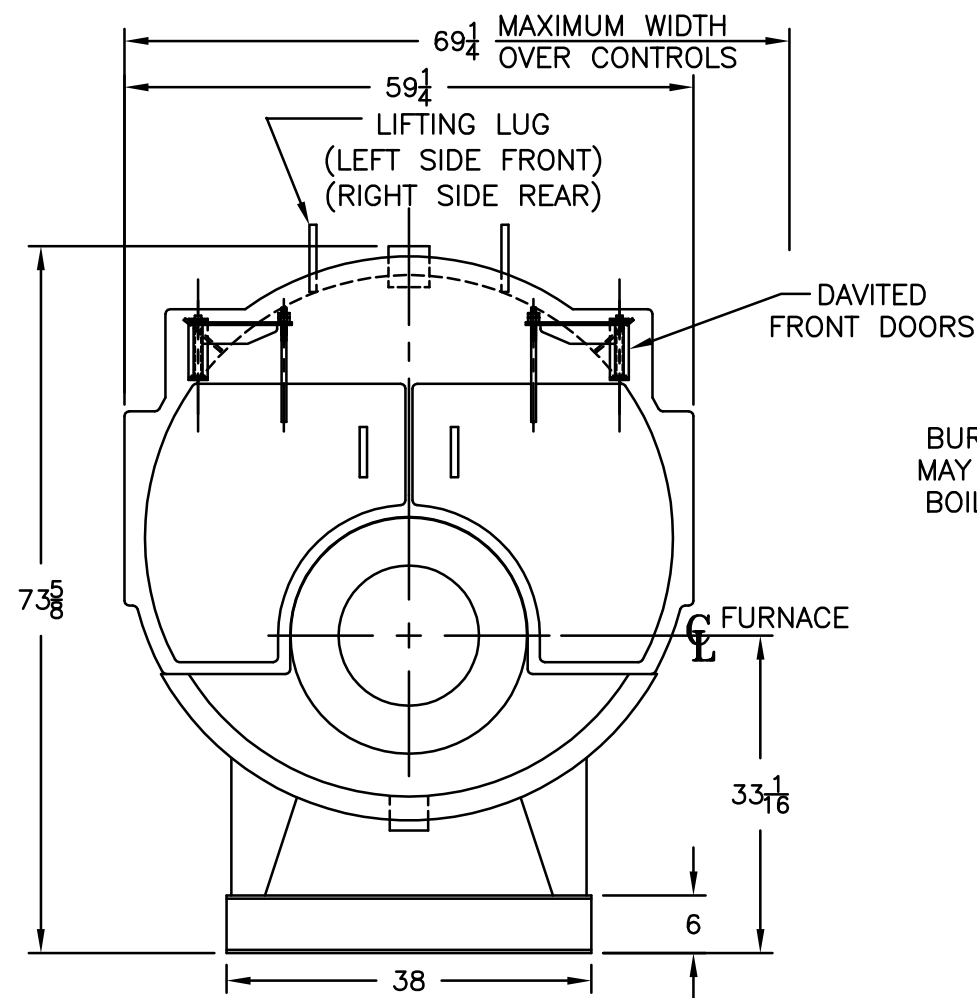
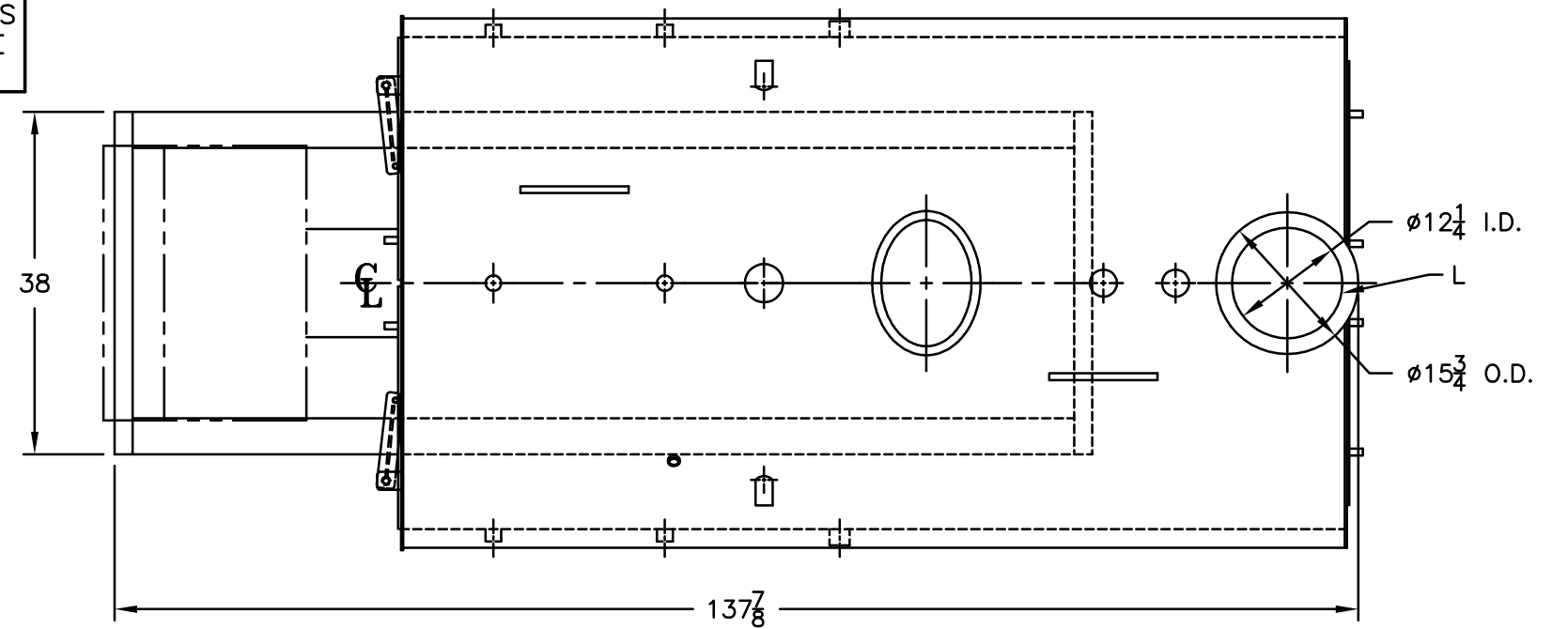
Water Content
 Pounds - 3706
 Gallons (U.S.) - 445
 Approximate Weight/LBS.
 Dry - 6200
 Wet - 9906

LEGEND

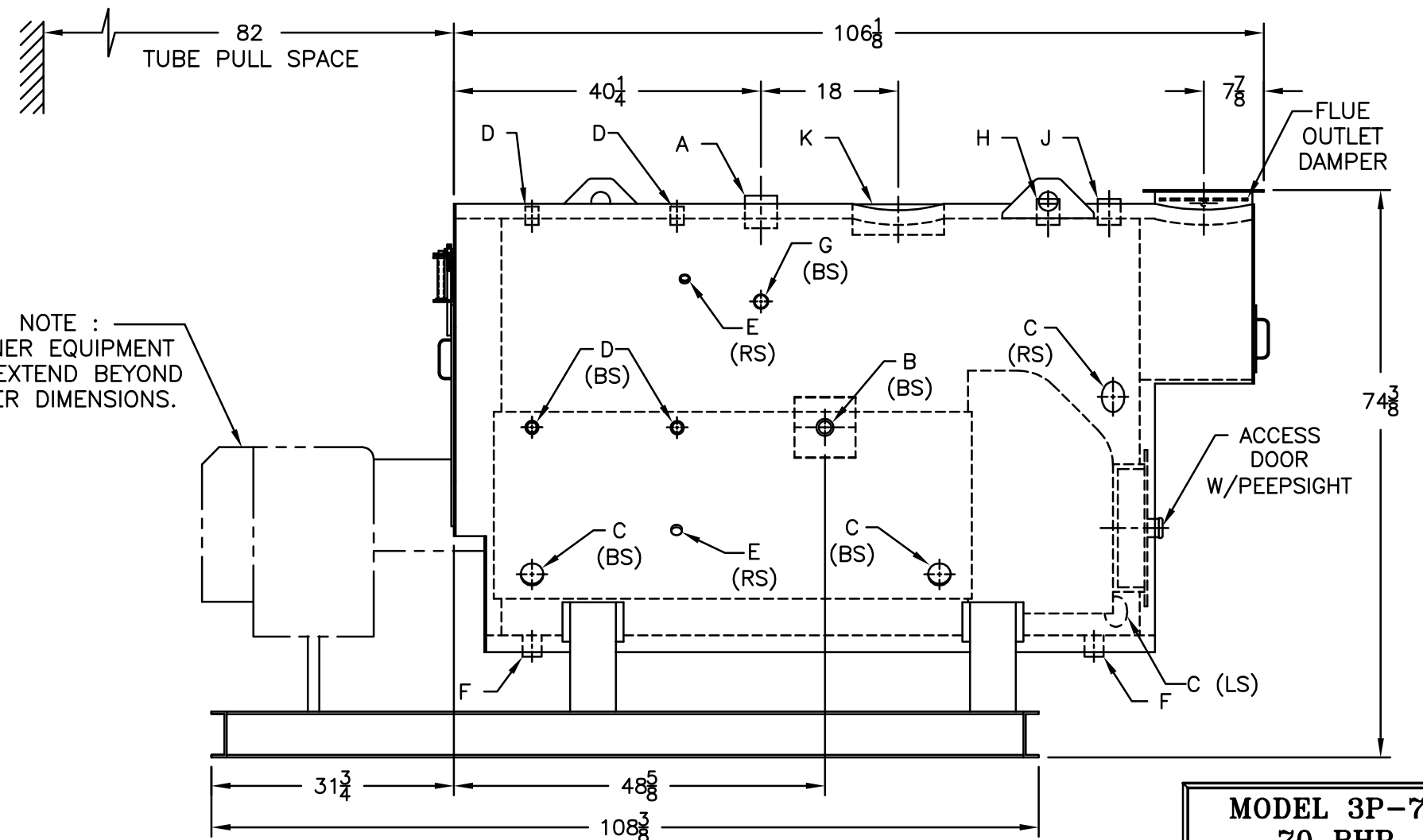
BS = BOTH SIDES
 RS = RIGHT SIDE
 LS = LEFT SIDE

LEGEND CONNECTIONS

- A = 3" SUPPLY
- B = 1-1/4" RETURN
- C = 3" x 4" HANDHOLE
- D = 1" WATER COLUMN
- E = 3/4" AQUASTAT
- F = 1-1/2" BOTTOM BLOWDOWN
- G = 1-1/2" SURFACE BLOWOFF
- H = 2" AUXILIARY CONNECTION
- J = 2" SAFETY VALVE
- K = 12" X 16" MANHOLE
- L = 12" NOMINAL FLUE DIAMETER



NOTE :
 BURNER EQUIPMENT
 MAY EXTEND BEYOND
 BOILER DIMENSIONS.



MODEL 3P-70
70 BHP
150 PSI STEAM

SPECIFICATIONS SUBJECT TO CHANGE WITHOUT NOTICE ALL CONNECTIONS ARE THREADED UNLESS OTHERWISE SPECIFIED
 THIS DOCUMENT CONTAINS CONFIDENTIAL INFORMATION WHICH IS THE PROPERTY OF BURNHAM COMMERCIAL. THIS DOCUMENT MAY NOT BE REPRODUCED, TRANSFERRED OR USED, OR ITS CONTENTS DISCLOSED, WITHOUT THE WRITTEN PERMISSION OF THE OWNER.