

LEGEND

BS = BOTH SIDES
RS = RIGHT SIDE
LS = LEFT SIDE

BURNHAM®
Commercial Boilers

RATINGS AND DATA

Shell Diameter : 90"
Gross Output - BHP : 350
Gross Output - MBH : 11716
Gross Output - Lbs/Hr : 12075
Net Rating - MBH : 9096
Net Rating - Sq. Ft. : 37900
Safety Valve - Lbs/Hr. : 13668

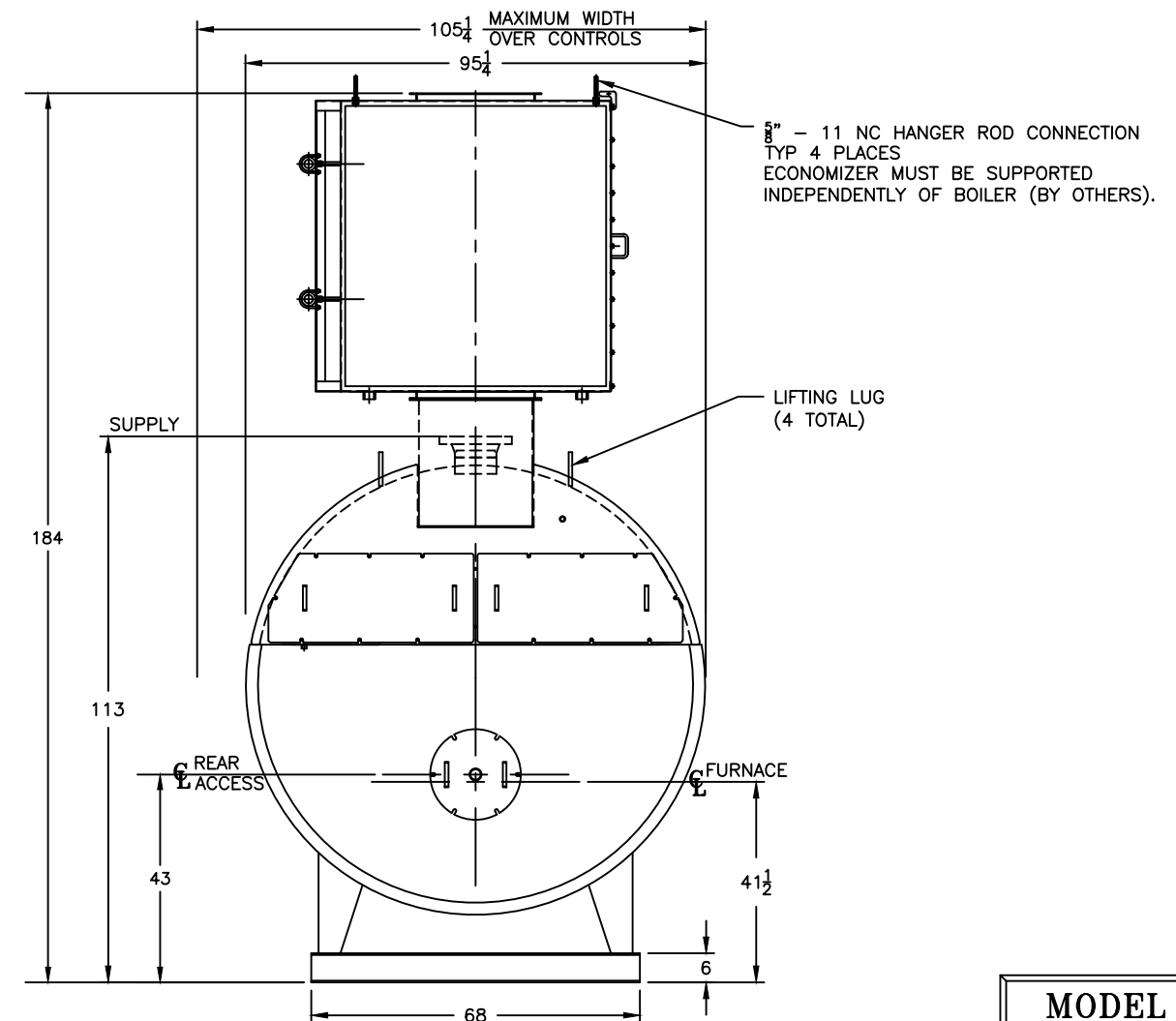
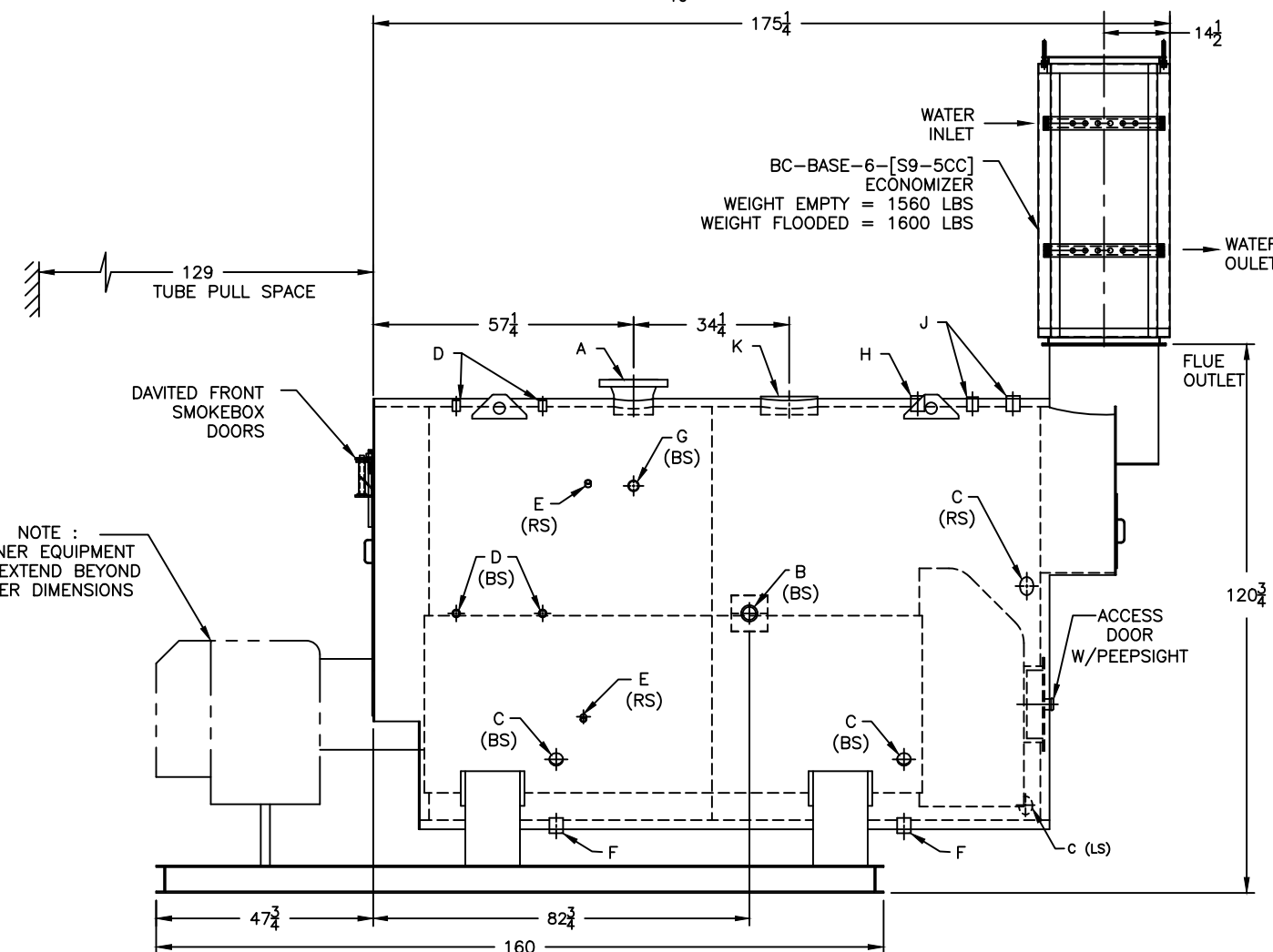
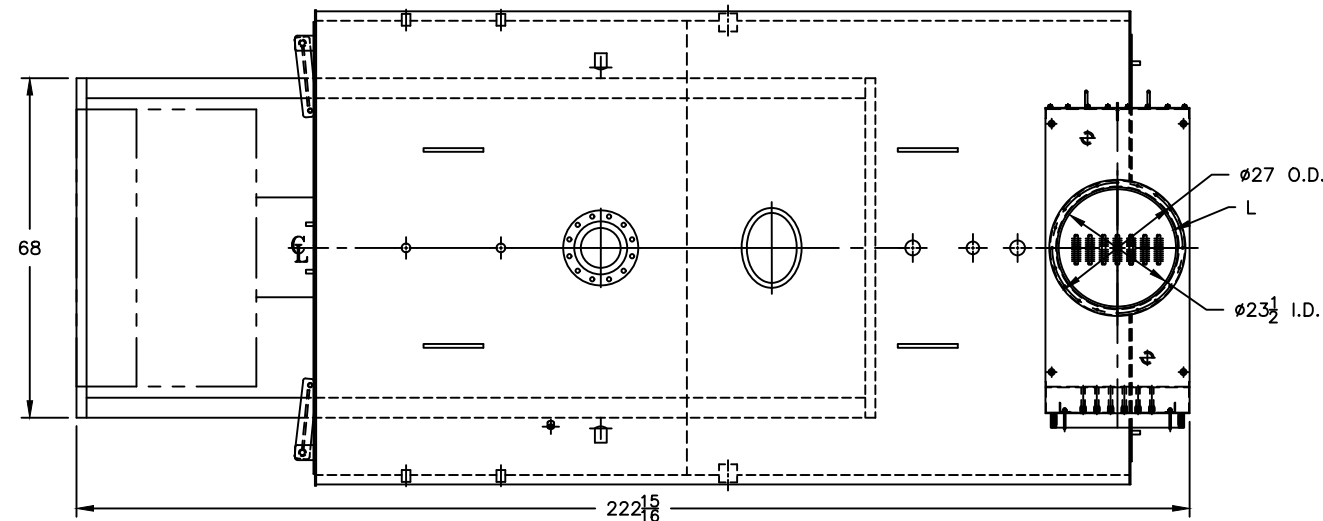
LEGEND CONNECTIONS

A = 8" FLANGED SUPPLY (300#)
B = 2-1/2" RETURN
C = 3" x 4" HANDHOLE
D = 1" WATER COLUMN
E = 3/4" AQUASTAT
F = 2" BOTTOM BLOWDOWN
G = 2" SURFACE BLOWOFF
H = 2" AUXILIARY CONNECTION
J = 2" SAFETY VALVE
1-1/2" SAFETY VALVE
K = 12" x 16" MANHOLE
L = 24" NOMINAL FLUE DIAMETER

Heating Surface - Sq. Ft.
Fireside - 1750
Firetubes
Number - 268
Diameter - 2.5" O.D.

Firing Rate
1000 BTU Gas (MBH) - 14645
140000 BTU/Gal Oil (GPH) - 100.1
150000 BTU/Gal Oil (GPH) - 93.4

Water Content
Pounds - 14497
Gallons (U.S.) - 1740
Approximate Weight/LBS.
(Includes Economizer)
Dry - 25260
Wet - 39757



MODEL 3P-350
350 BHP
150 PSI STEAM

SPECIFICATIONS SUBJECT TO CHANGE WITHOUT NOTICE ALL CONNECTIONS ARE THREADED UNLESS OTHERWISE SPECIFIED
THIS DOCUMENT CONTAINS CONFIDENTIAL INFORMATION WHICH IS THE PROPERTY OF BURNHAM COMMERCIAL. THIS DOCUMENT MAY NOT BE REPRODUCED, TRANSFERRED OR USED, OR ITS CONTENTS DISCLOSED, WITHOUT THE WRITTEN PERMISSION OF THE OWNER.