

BURNHAM®

Commercial Boilers

RATINGS AND DATA

Shell Diameter : 48"
 Gross Output - BHP : 51.6
 Gross Output - MBH : 1728
 Net Rating - MBH : 1503
 Safety Valve - MBH : 2000

Heating Surface - Sq. Ft.
 Fireside - 250
 Firetubes
 Number - 92
 Diameter - 2" O.D.

Firing Rate
 1000 BTU Gas (MBH) - 2092
 140000 BTU/Gal Oil (GPH) - 14.5
 150000 BTU/Gal Oil (GPH) - 13.5

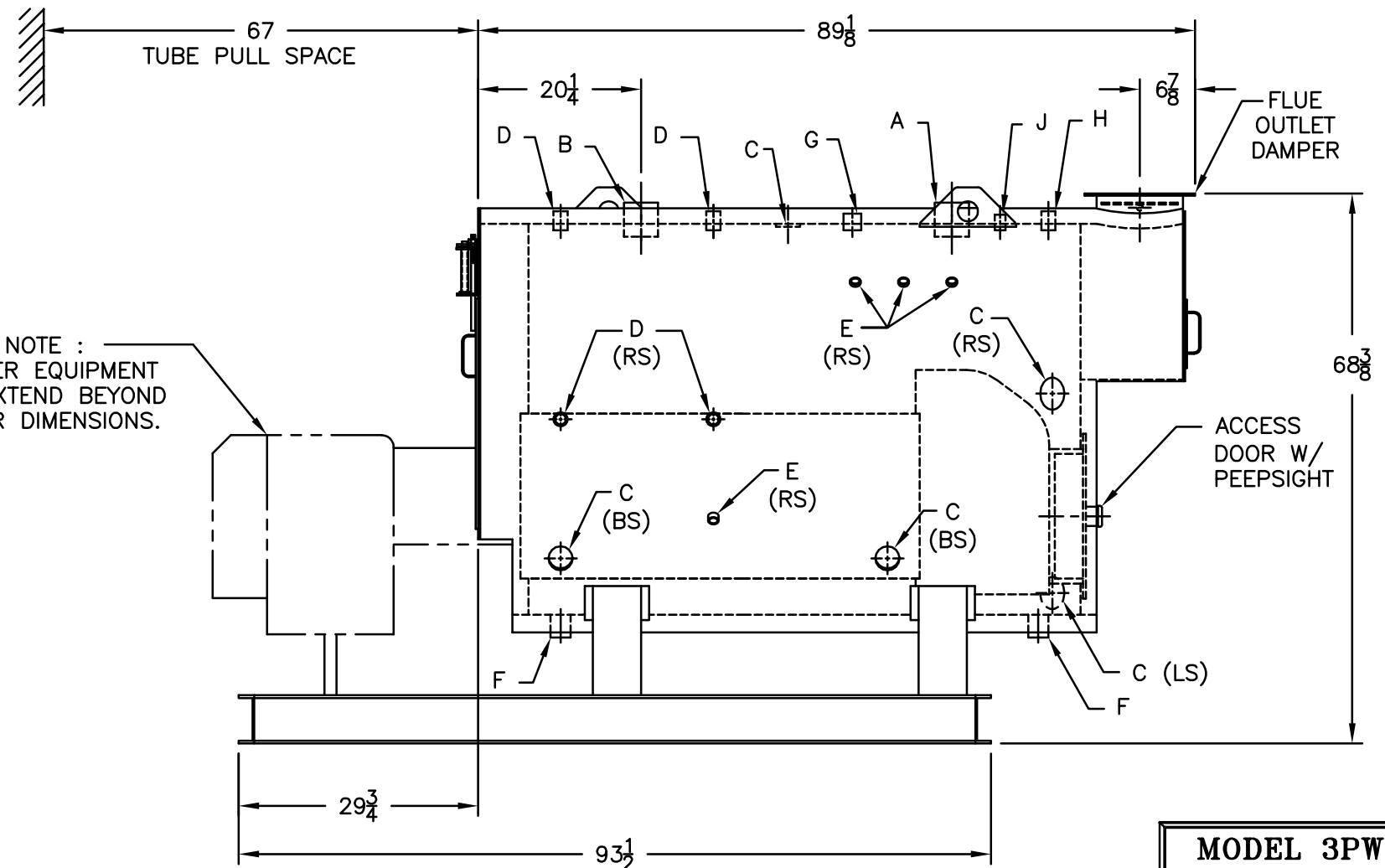
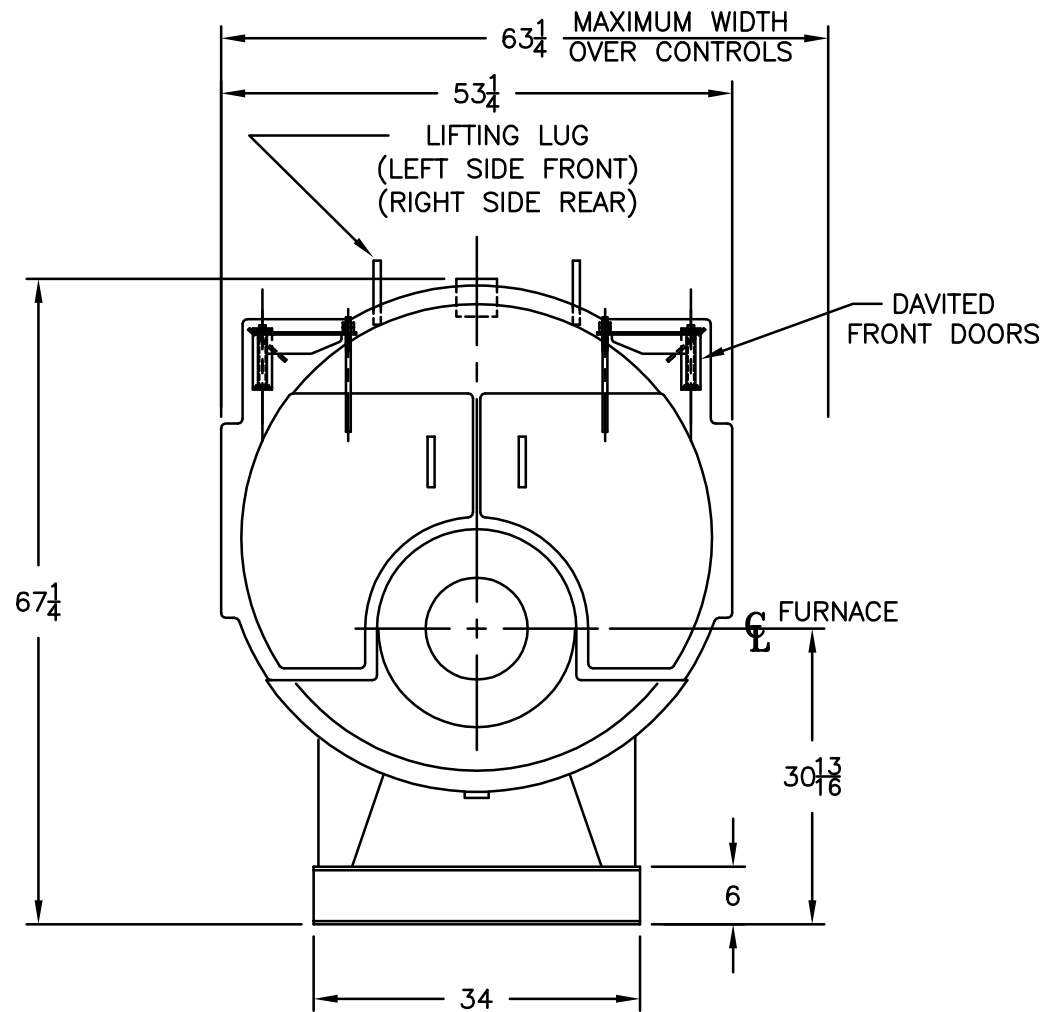
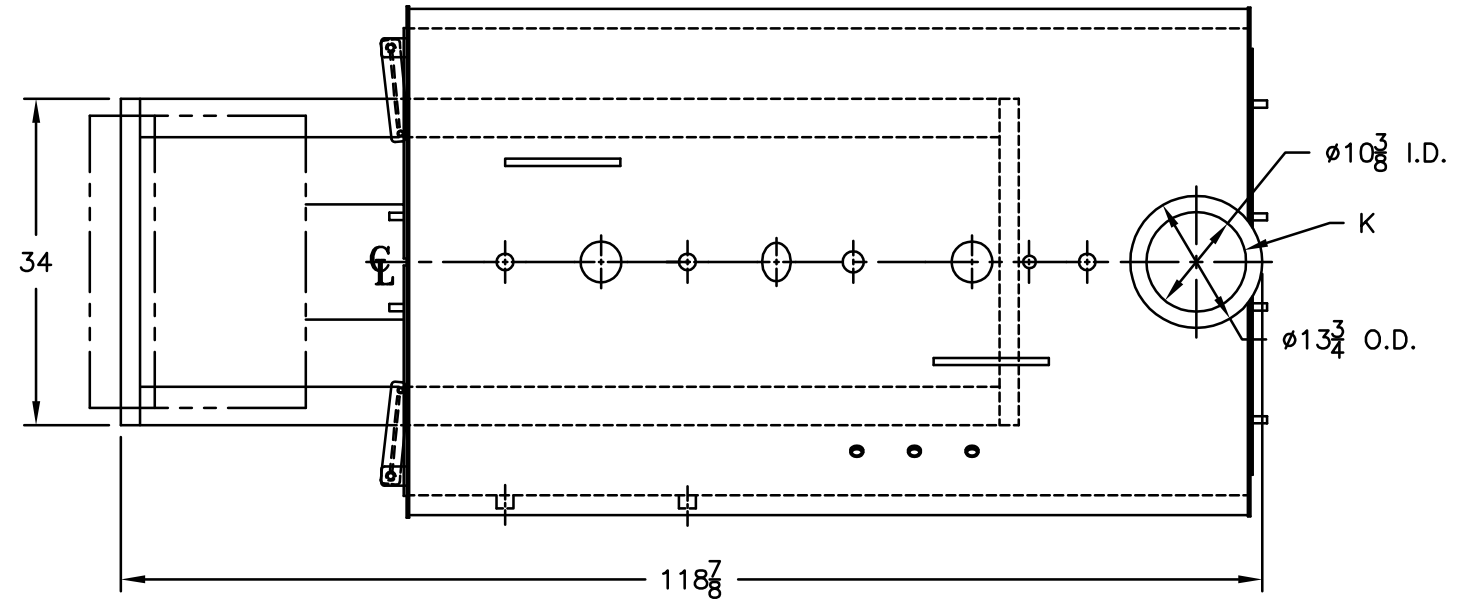
Water Content
 Pounds - 2704
 Gallons (U.S.) - 325
 Approximate Weight/LBS.
 Dry - 5240
 Wet - 7944

LEGEND

BS = BOTH SIDES
 RS = RIGHT SIDE
 LS = LEFT SIDE

LEGEND CONNECTIONS

- A = 4" SUPPLY
- B = 4" RETURN
- C = 3" x 4" HANDHOLE
- D = 1" WATER COLUMN
- E = 3/4" AQUASTAT/LFHA
- F = 1-1/2" BOTTOM BLOWDOWN
- G = 1-1/2" AUXILIARY CONNECTION
- H = 1" RELIEF VALVE
- J = 3/4" TEMPERATURE GAUGE
- K = 10" NOMINAL FLUE DIAMETER



NOTE :
 BURNER EQUIPMENT
 MAY EXTEND BEYOND
 BOILER DIMENSIONS.

SPECIFICATIONS SUBJECT TO CHANGE WITHOUT NOTICE ALL CONNECTIONS ARE THREADED UNLESS OTHERWISE SPECIFIED

THIS DOCUMENT CONTAINS CONFIDENTIAL INFORMATION WHICH IS THE PROPERTY OF BURNHAM COMMERCIAL. THIS DOCUMENT MAY NOT BE REPRODUCED, TRANSFERRED OR USED, OR ITS CONTENTS DISCLOSED, WITHOUT THE WRITTEN PERMISSION OF THE OWNER.

MODEL 3PW-50
51.6 BHP
125 PSI WATER