

# BURNHAM®

## Commercial Boilers

### RATINGS AND DATA

Shell Diameter : 66"  
 Gross Output - BHP : 213  
 Gross Output - MBH : 7130  
 Net Rating - MBH : 6200  
 Relief Valve - MBH : 8000

Heating Surface - Sq. Ft.  
 Fireside - 1000

Firetubes  
 Number - 182  
 Diameter - 2" O.D.

Firing Rate  
 1000 BTU Gas (MBH) - 8369  
 140000 BTU/GAL (GPH) - 57.6  
 150000 BTU/GAL (GPH) - 53.8

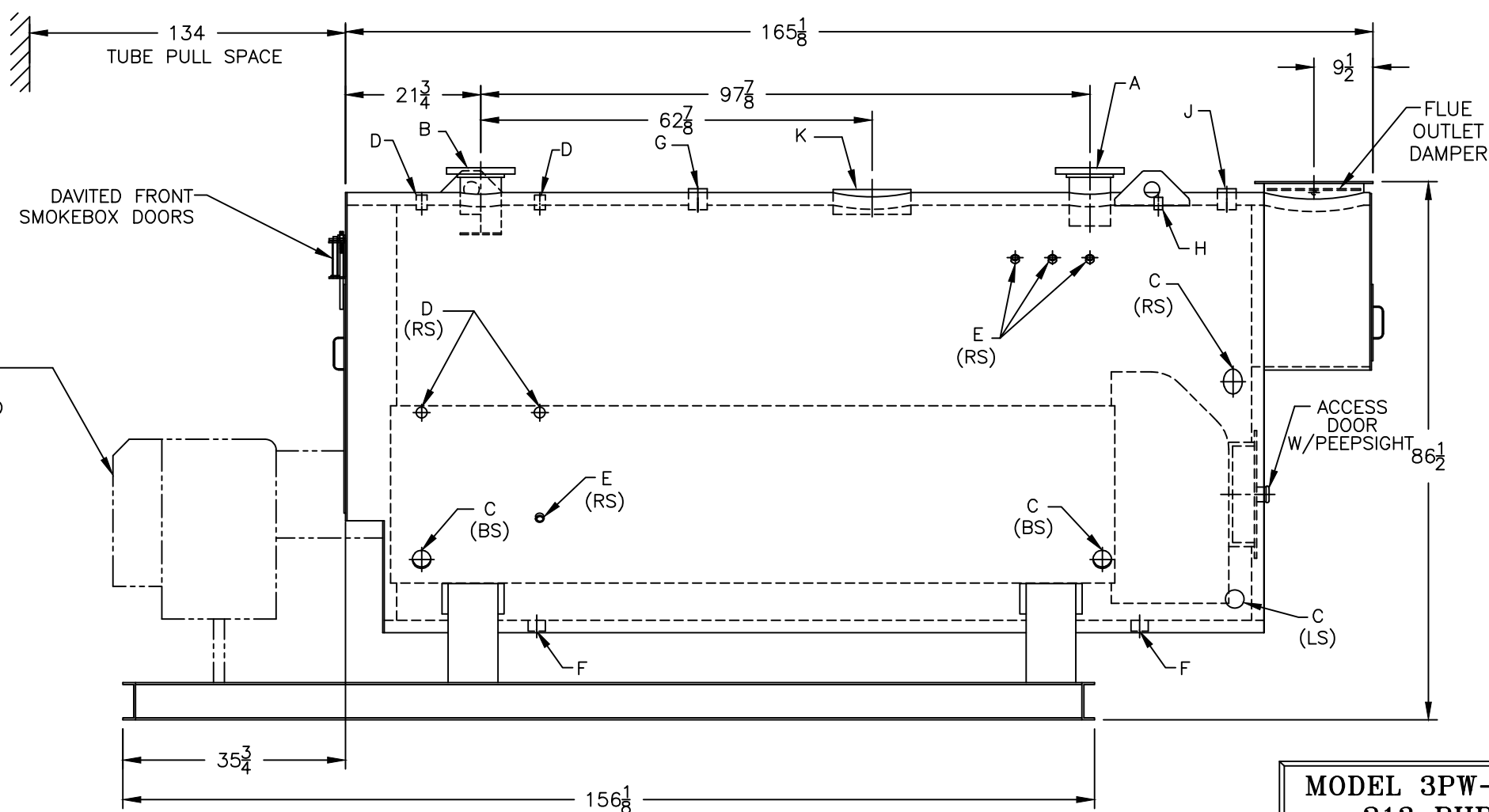
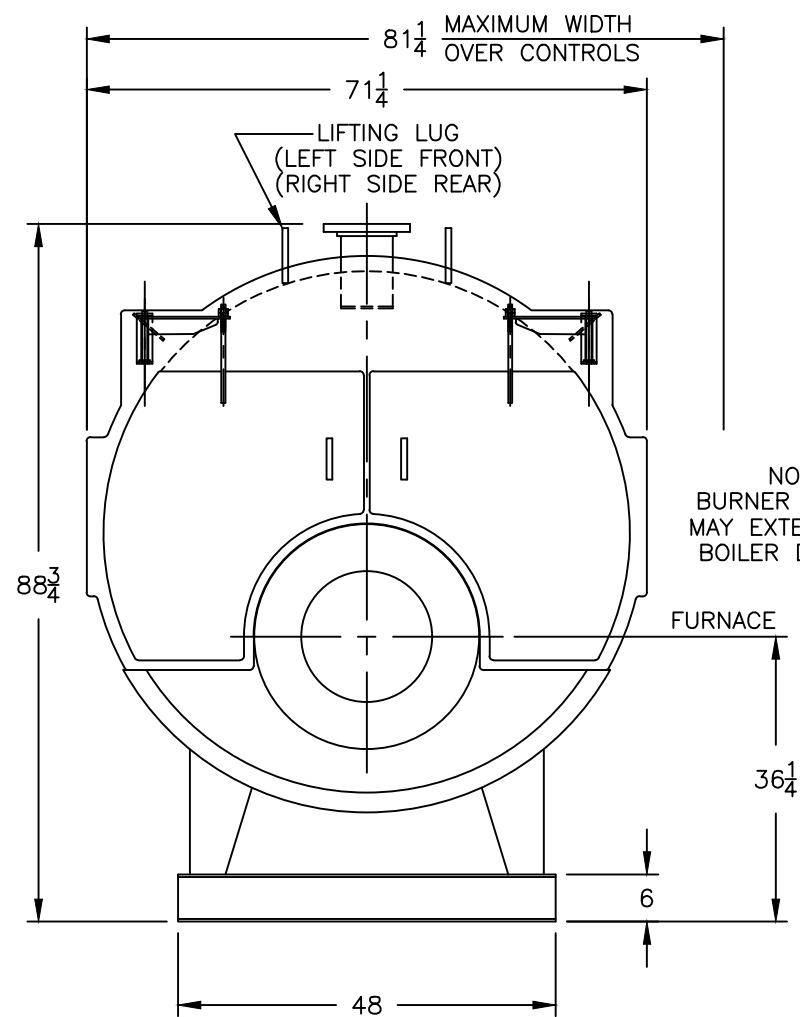
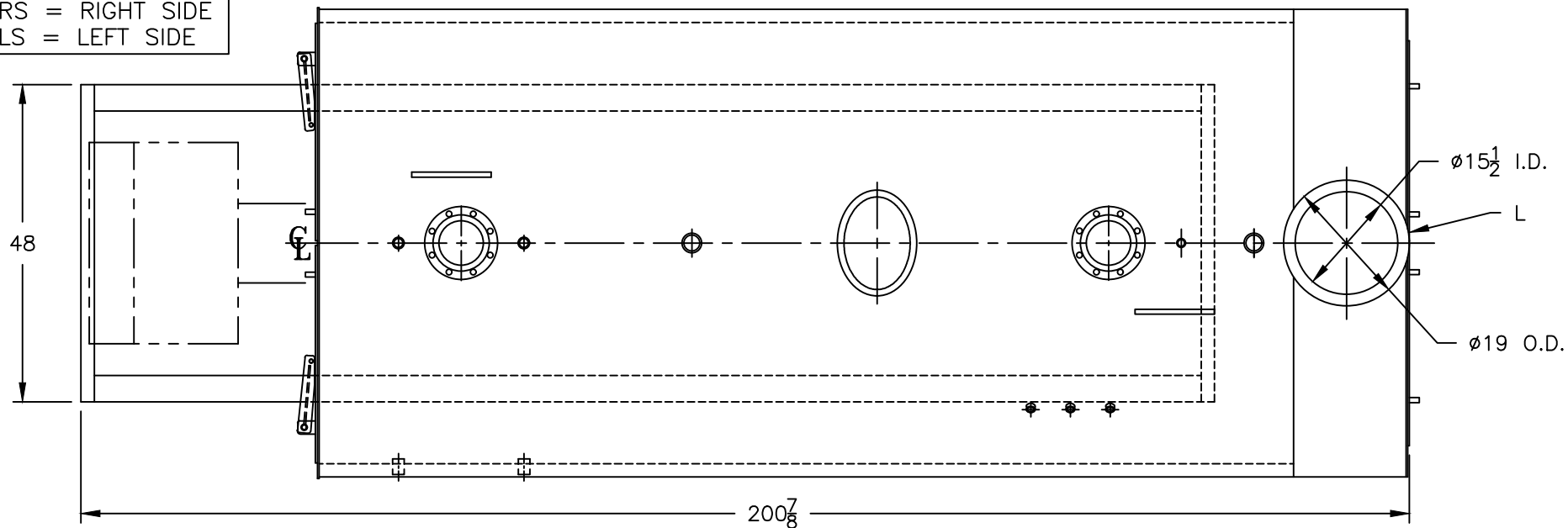
Water Content  
 Pounds - 10475  
 Gallons (U.S.) - 1258  
 Approximate Weight/LBS.  
 Dry - 13300  
 Wet - 23775

### LEGEND

BS = BOTH SIDES  
 RS = RIGHT SIDE  
 LS = LEFT SIDE

### LEGEND CONNECTIONS

- A = 6" FLANGED SUPPLY (150#)
- B = 6" FLANGED RETURN (150#)
- C = 3" x 4" HANDHOLE
- D = 1" WATER COLUMN
- E = 3/4" AQUASTAT
- F = 2" BOTTOM BLOWDOWN
- G = 2" EXPANSION TANK
- H = 3/4" TEMPERATURE GAUGE
- J = 2" RELIEF VALVE
- K = 12" x 16" MANHOLE
- L = 16" NOMINAL FLUE DIAMETER



**MODEL 3PW-200**  
**213 BHP**  
**125 PSI WATER**

SPECIFICATIONS SUBJECT TO CHANGE WITHOUT NOTICE ALL CONNECTIONS ARE THREADED UNLESS OTHERWISE SPECIFIED  
 THIS DOCUMENT CONTAINS CONFIDENTIAL INFORMATION WHICH IS THE PROPERTY OF BURNHAM COMMERCIAL. THIS DOCUMENT MAY NOT BE REPRODUCED, TRANSFERRED OR USED, OR ITS CONTENTS DISCLOSED, WITHOUT THE WRITTEN PERMISSION OF THE OWNER.