

# BURNHAM®

## Commercial Boilers

### RATINGS AND DATA

Shell Diameter : 90"  
 Gross Output - BHP : 363.1  
 Gross Output - MBH : 12155  
 Net Rating - MBH : 10570  
 Safety Valve - MBH : 14000

Heating Surface - Sq. Ft.  
 Fireside - 1750  
 Firetubes  
 Number - 268  
 Diameter - 2.5" O.D.

Firing Rate  
 1000 BTU Gas (MBH) - 14645  
 140,000 BTU/GAL Oil (GPH) - 100.1  
 150,000 BTU/GAL Oil (GPH) - 93.4

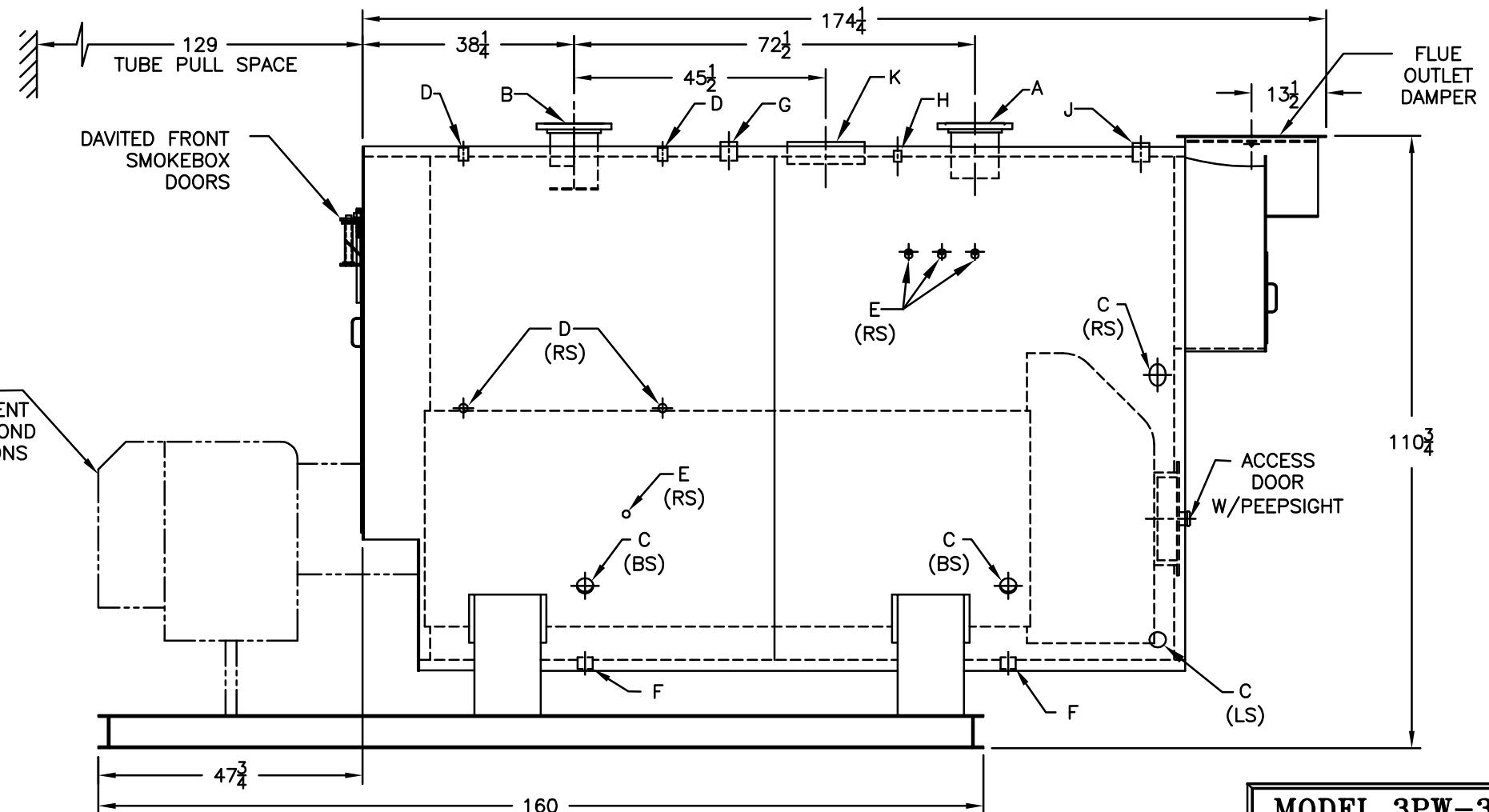
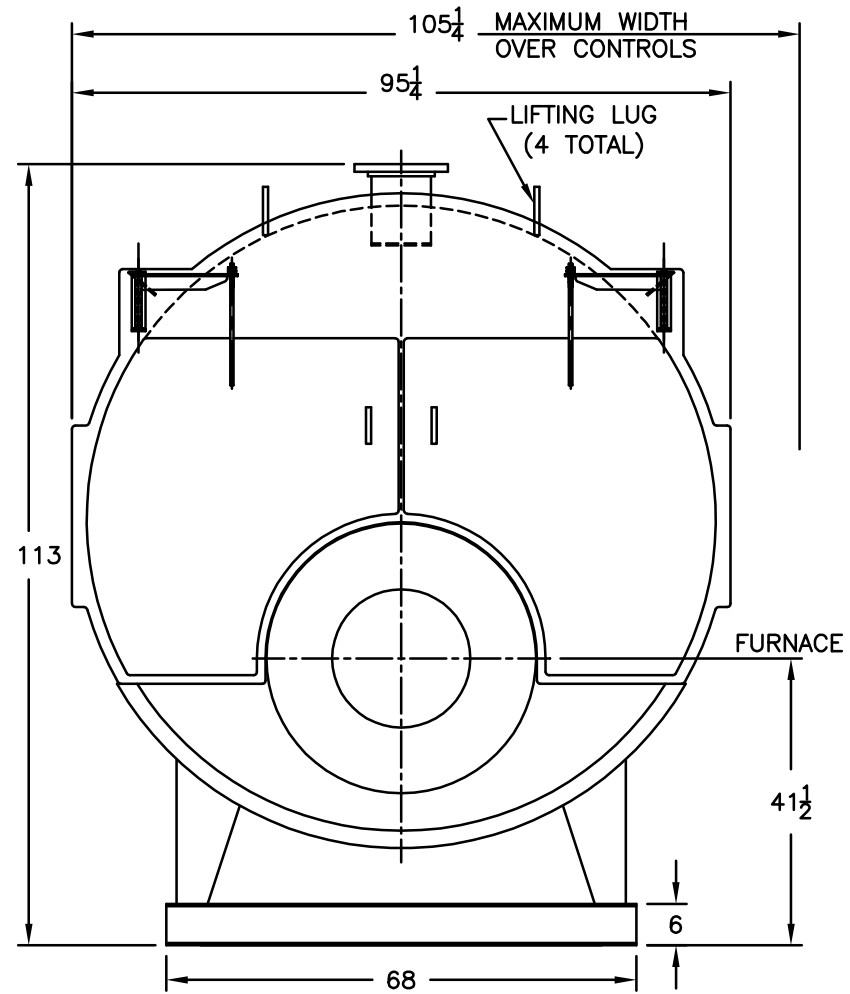
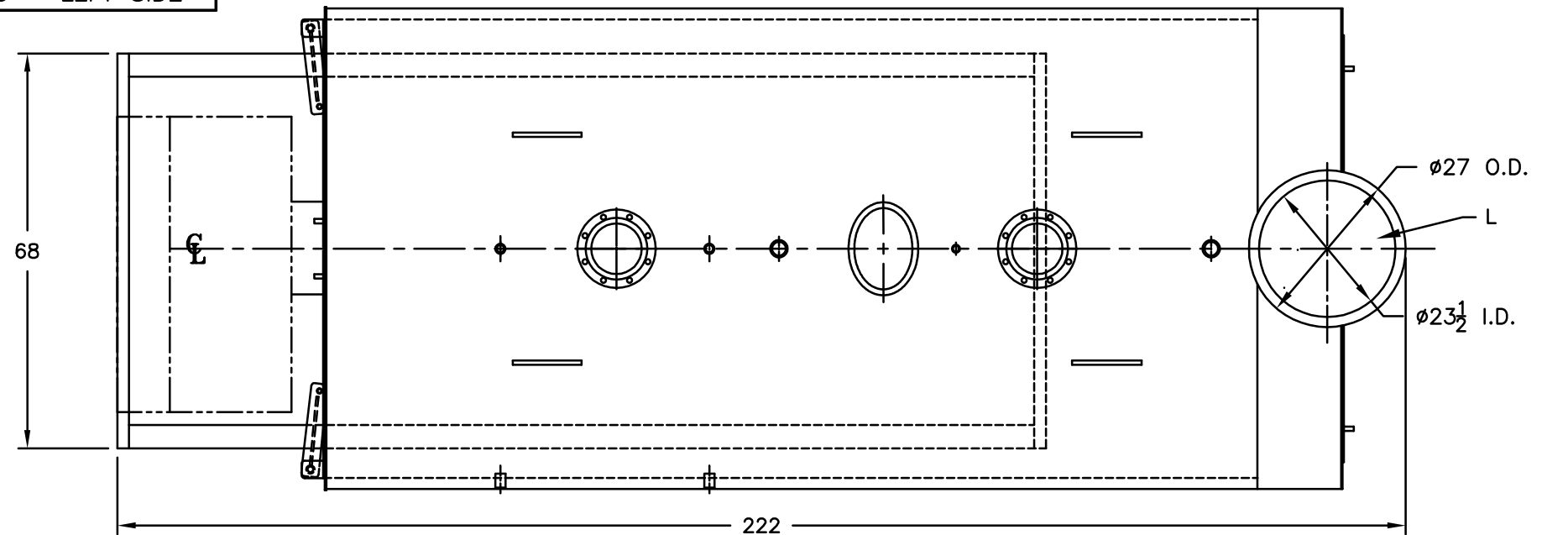
Water Content  
 Pounds - 17780  
 Gallons (U.S.) - 2136  
 Approximate Weight/LBS.  
 Dry - 23700  
 Wet - 41490

### LEGEND CONNECTIONS

- A = 8" FLANGED SUPPLY (150#)
- B = 8" FLANGED RETURN (150#)
- C = 3" x 4" HANDHOLE
- D = 1" WATER COLUMN
- E = 3/4" AQUASTAT
- F = 2" BOTTOM DRAIN
- G = 2" EXPANSION TANK
- H = 3/4" TEMPERATURE GAUGE
- J = 2" RELIEF VALVE
- K = 12" x 16" MANHOLE
- L = 24" NOMINAL FLUE DIAMETER

### LEGEND

- BS = BOTH SIDES
- RS = RIGHT SIDE
- LS = LEFT SIDE



NOTE :  
 BURNER EQUIPMENT  
 MAY EXTEND BEYOND  
 BOILER DIMENSIONS

**MODEL 3PW-350**  
**363.1 BHP**  
**125 PSI WATER**

SPECIFICATIONS SUBJECT TO CHANGE WITHOUT NOTICE ALL CONNECTIONS ARE THREADED UNLESS OTHERWISE SPECIFIED  
 THIS DOCUMENT CONTAINS CONFIDENTIAL INFORMATION WHICH IS THE PROPERTY OF BURNHAM COMMERCIAL. THIS DOCUMENT MAY NOT BE REPRODUCED, TRANSFERRED OR USED, OR ITS CONTENTS DISCLOSED, WITHOUT THE WRITTEN PERMISSION OF THE OWNER.