

BURNHAM®

Commercial Boilers

RATINGS AND DATA

Shell Diameter : 90"
 Gross Output - BHP : 420
 Gross Output - MBH : 14060
 Net Rating - MBH : 12226
 Relief Valve - MBH : 16000

Heating Surface - Sq. Ft.
 Fireside - 2000
 Firetubes
 Number - 268
 Diameter - 2.5" O.D.

Firing Rate
 1000 BTU Gas (MBH) - 16378
 140000 BTU/Gal Oil (GPH) - 114.8
 150000 BTU/Gal Oil (GPH) - 107.1

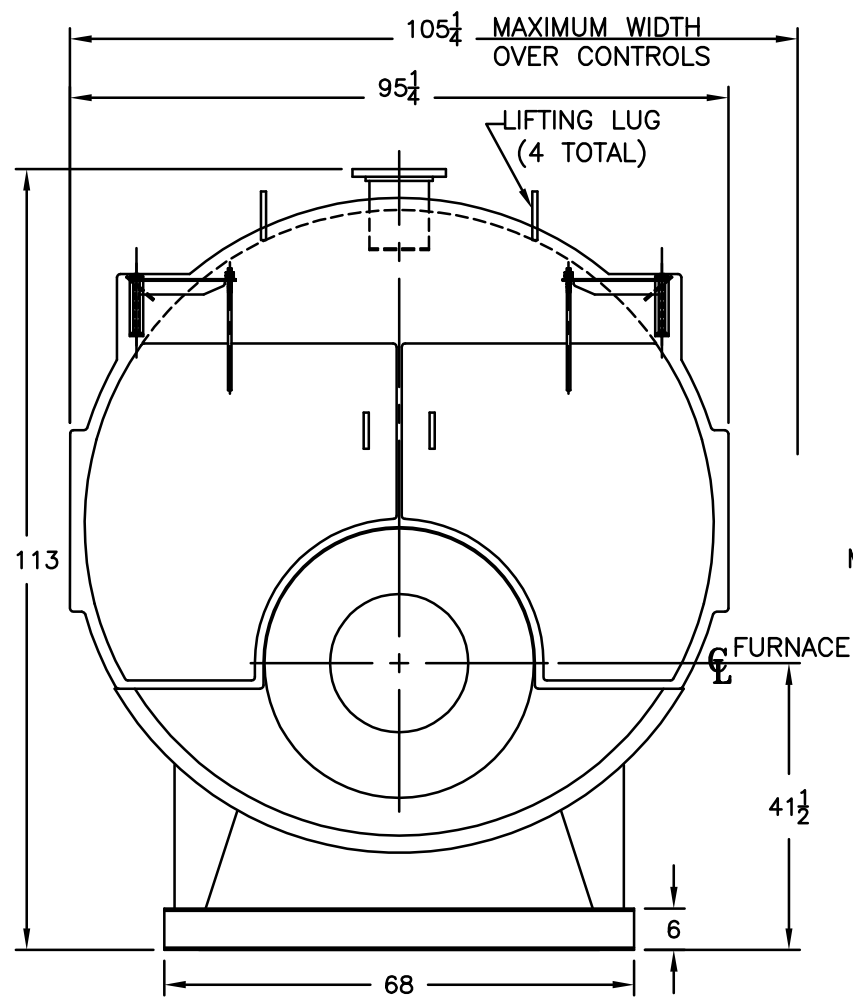
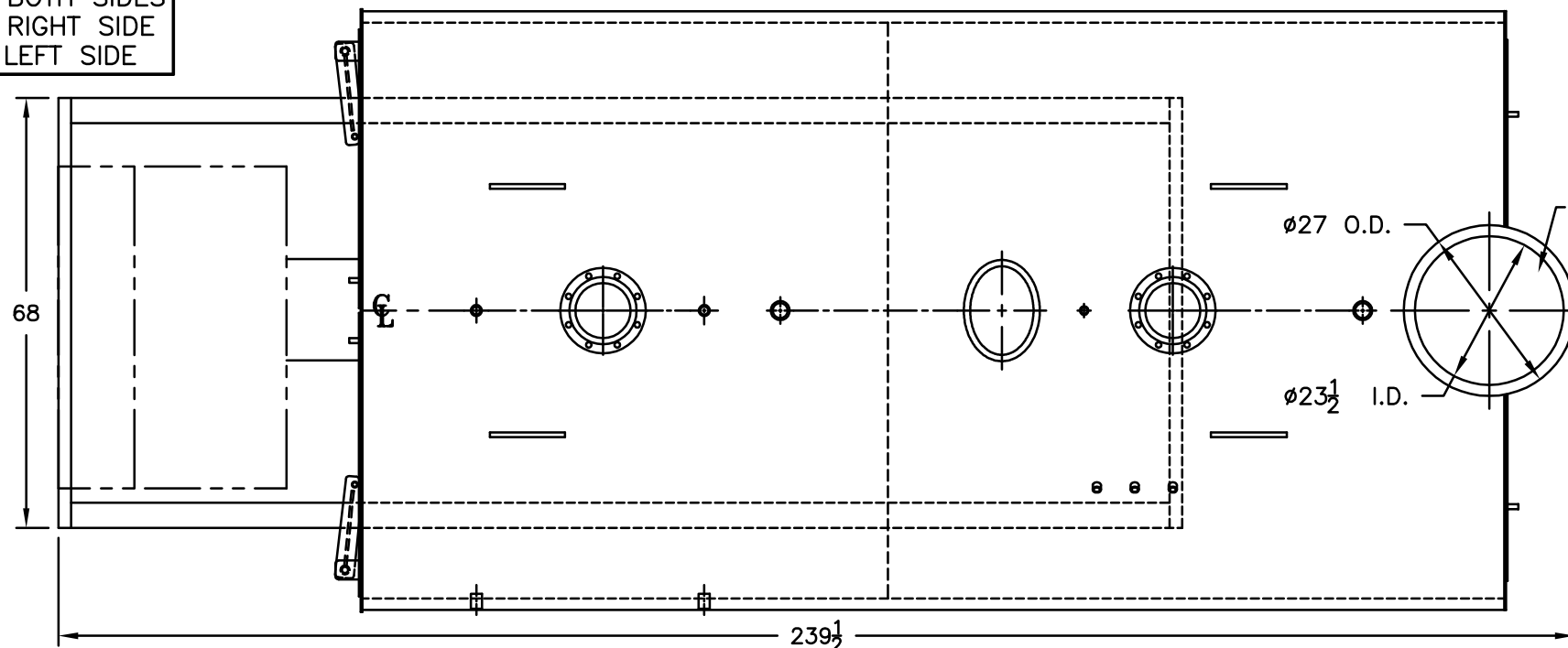
Water Content
 Pounds - 20224
 Gallons (U.S.) - 2428
 Approximate Weight/LBS.
 Dry - 26100
 Wet - 46324

LEGEND CONNECTIONS

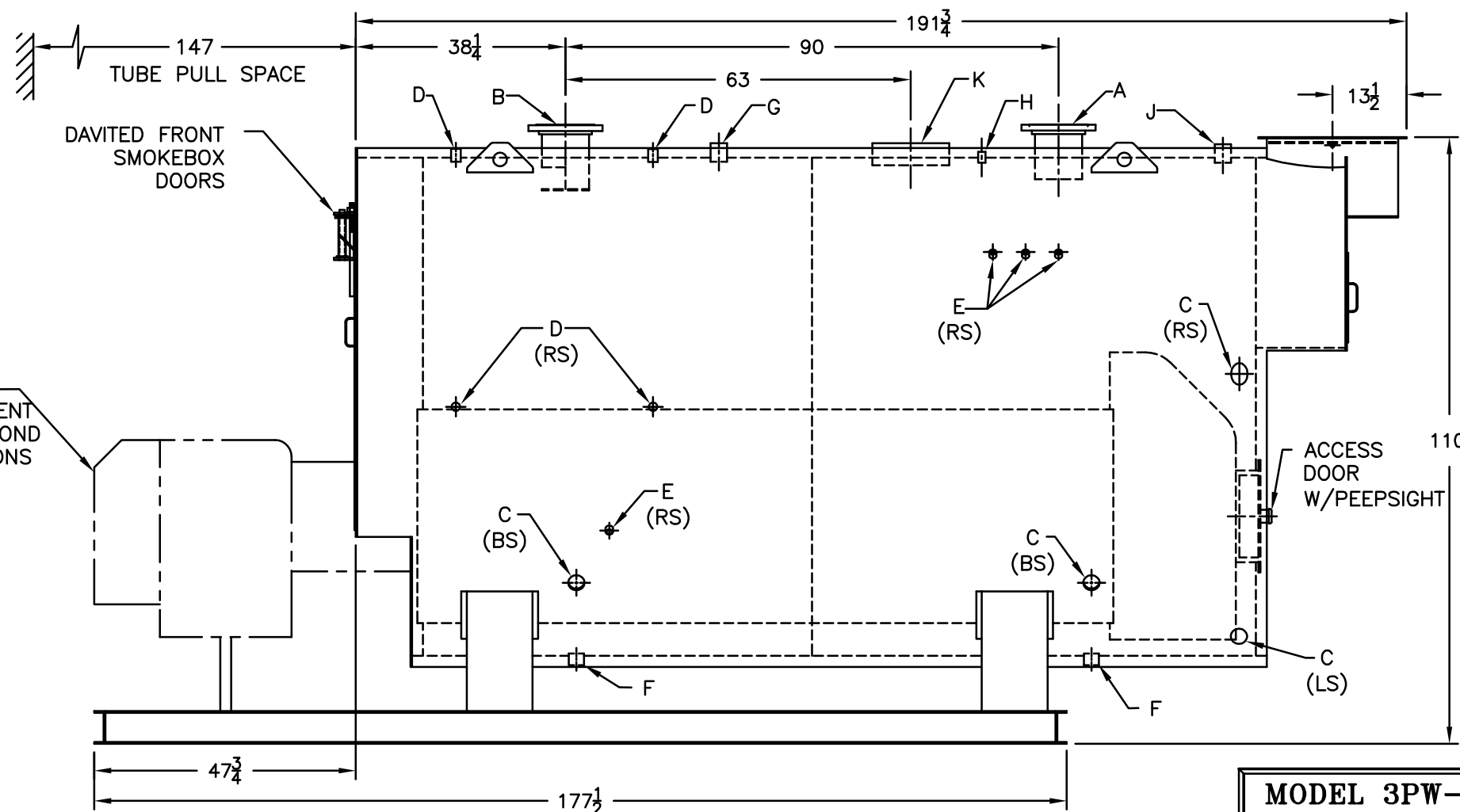
- A = 8" FLANGED SUPPLY (150#)
- B = 8" FLANGED RETURN (150#)
- C = 3" x 4" HANDHOLE
- D = 1" WATER COLUMN
- E = 3/4" AQUASTAT
- F = 2" BOTTOM DRAIN
- G = 2" EXPANSION TANK
- H = 3/4" TEMPERATURE GAUGE
- J = 2" RELIEF VALVE
- K = 12 X 16 MANHOLE
- L = 24" NOMINAL FLUE DIAMETER

LEGEND

- BS = BOTH SIDES
- RS = RIGHT SIDE
- LS = LEFT SIDE



NOTE :
 BURNER EQUIPMENT
 MAY EXTEND BEYOND
 BOILER DIMENSIONS



MODEL 3PW-400
420 BHP
125 PSI WATER