

BURNHAM®

Commercial Boilers

RATINGS AND DATA

Shell Diameter : 90"
 Gross Output - BHP : 420
 Gross Output - MBH : 14060
 Net Rating - MBH : 12226
 Relief Valve - MBH : 16000

Heating Surface - Sq. Ft.
 Fireside - 2000

Firetubes
 Number - 268
 Diameter - 2.5" O.D.

Firing Rate
 1000 BTU Gas (MBH) - 16738
 140000 BTU/Gal Oil (GPH) - 114.8
 150000 BTU/Gal Oil (GPH) - 107.1

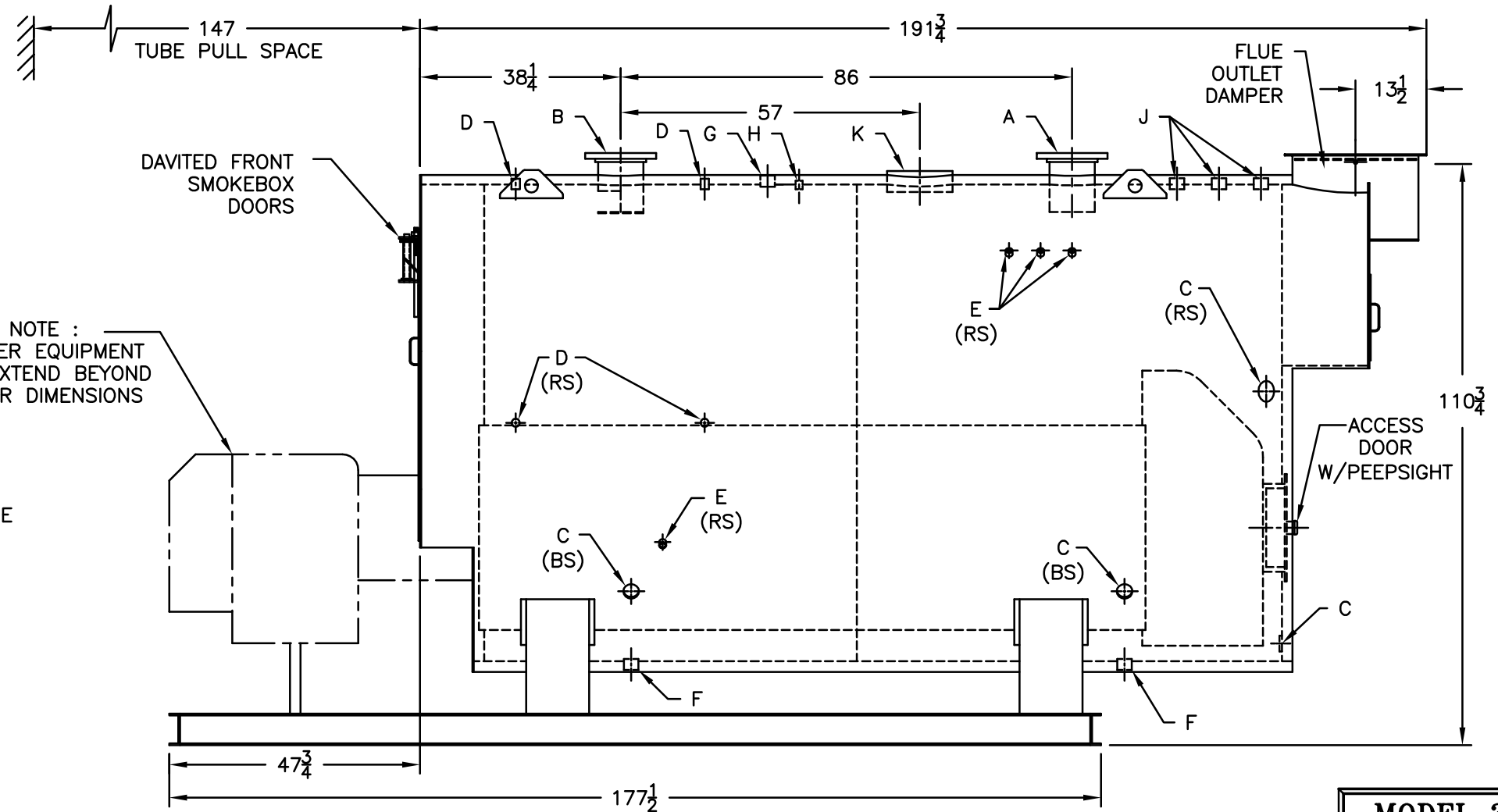
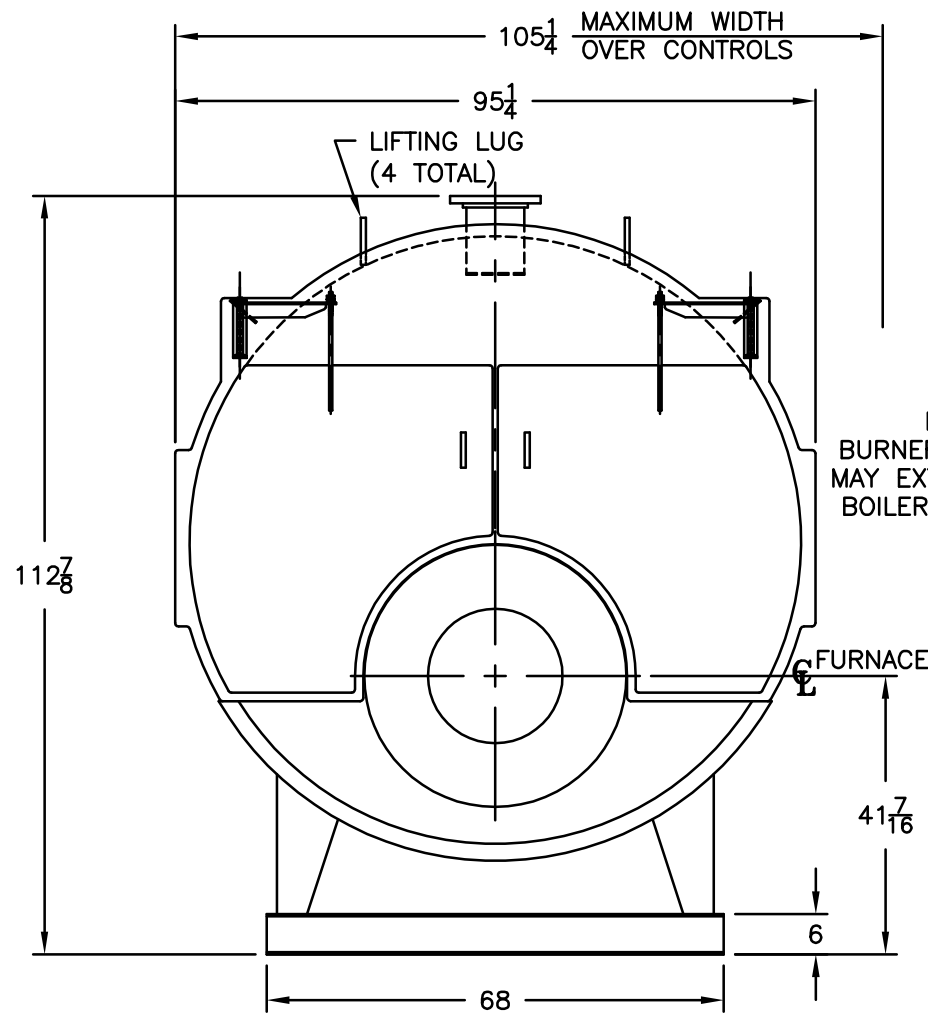
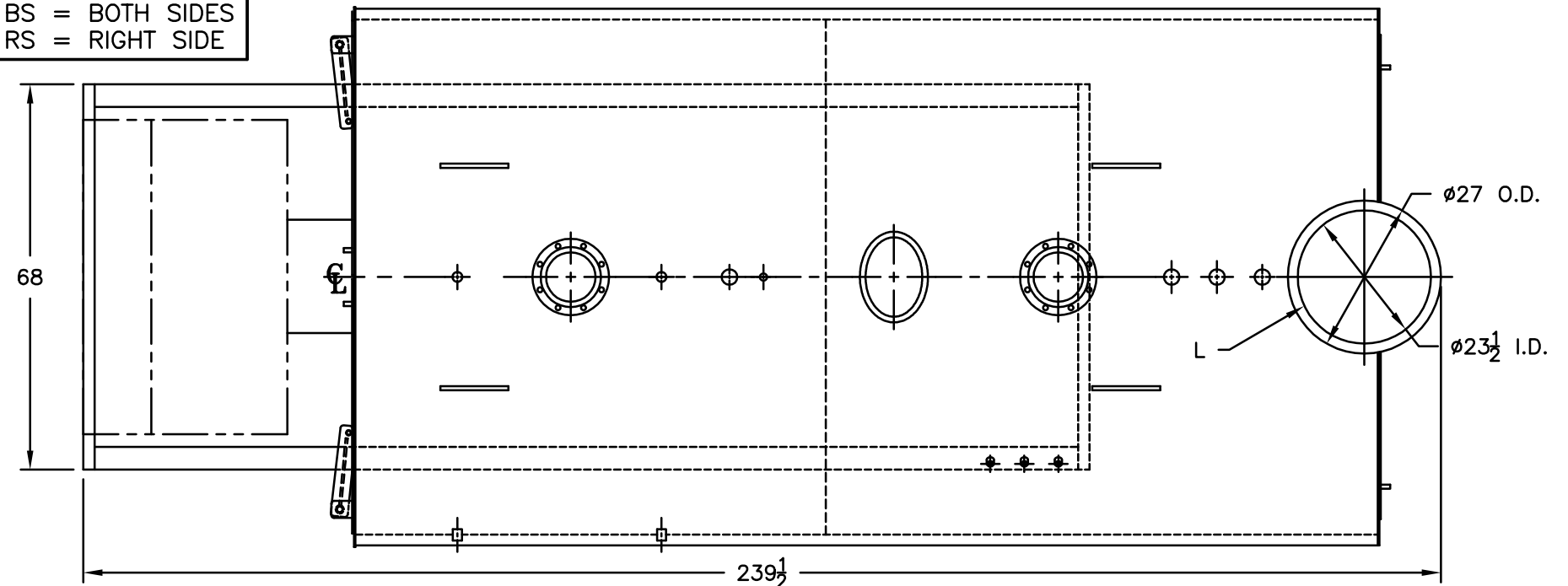
Water Content
 Pounds - 20054
 Gallons (U.S.) - 2407
 Approximate Weight/LBS.
 Dry - 23200
 Wet - 43254

LEGEND CONNECTIONS

- A = 8" FLANGED SUPPLY (150#)
- B = 8" FLANGED RETURN (150#)
- C = 3" x 4" HANDHOLE
- D = 1" WATER COLUMN
- E = 3/4" AQUASTAT
- F = 2" BOTTOM DRAIN
- G = 2" EXPANSION TANK
- H = 3/4" TEMPERATURE GAUGE
- J = 2" RELIEF VALVE (3)
- K = 12" x 16" MANHOLE
- L = 24" NOMINAL FLUE DIAMETER

LEGEND

- BS = BOTH SIDES
- RS = RIGHT SIDE



MODEL 3W-400
420 BHP
30 PSI WATER

SPECIFICATIONS SUBJECT TO CHANGE WITHOUT NOTICE ALL CONNECTIONS ARE THREADED UNLESS OTHERWISE SPECIFIED
 THIS DOCUMENT CONTAINS CONFIDENTIAL INFORMATION WHICH IS THE PROPERTY OF BURNHAM COMMERCIAL. THIS DOCUMENT MAY NOT BE REPRODUCED, TRANSFERRED OR USED, OR ITS CONTENTS DISCLOSED, WITHOUT THE WRITTEN PERMISSION OF THE OWNER.