

BURNHAM®

Commercial Boilers

RATINGS AND DATA

Shell Diameter : 102"
 Gross Output - BHP : 637.5
 Gross Output - MBH : 21340
 Net Rating - MBH : 18557
 Relief Valve - MBH : 24000

Heating Surface - Sq. Ft.
 Fireside - 3000

Firetubes
 Number - 362
 Diameter - 2.5" O.D.

Firing Rate
 1000 BTU Gas (MBH) - 25106
 140000 BTU/Gal Oil (GPH) - 172.6
 150000 BTU/Gal Oil (GPH) - 161.1

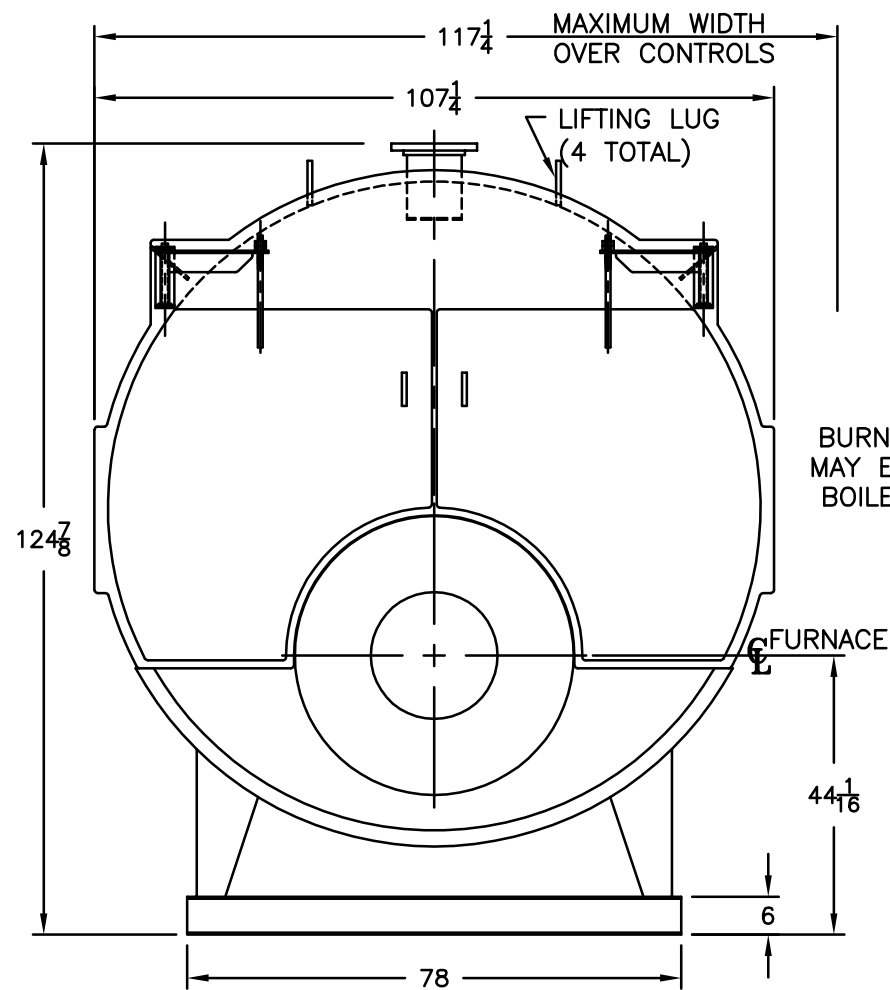
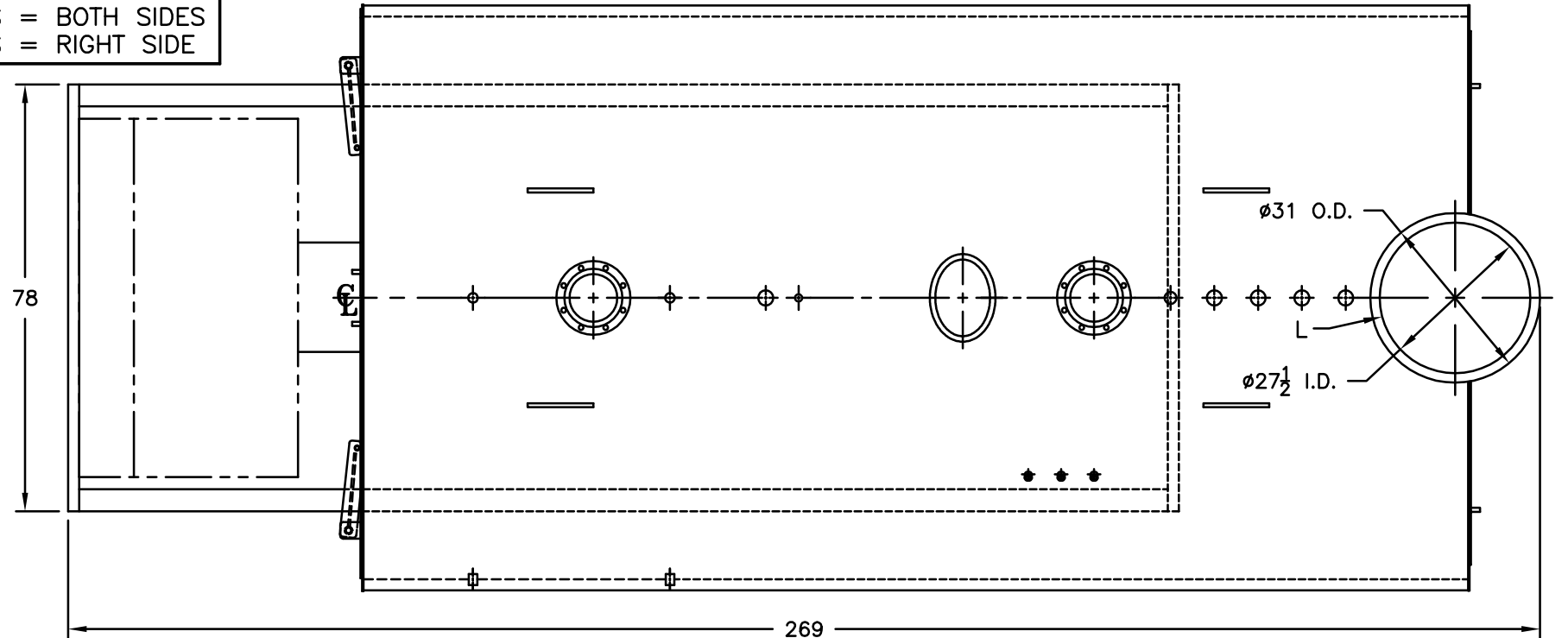
Water Content
 Pounds - 28384
 Gallons (U.S.) - 3407
 Approximate Weight/LBS.
 Dry - 31500
 Wet - 59884

LEGEND CONNECTIONS

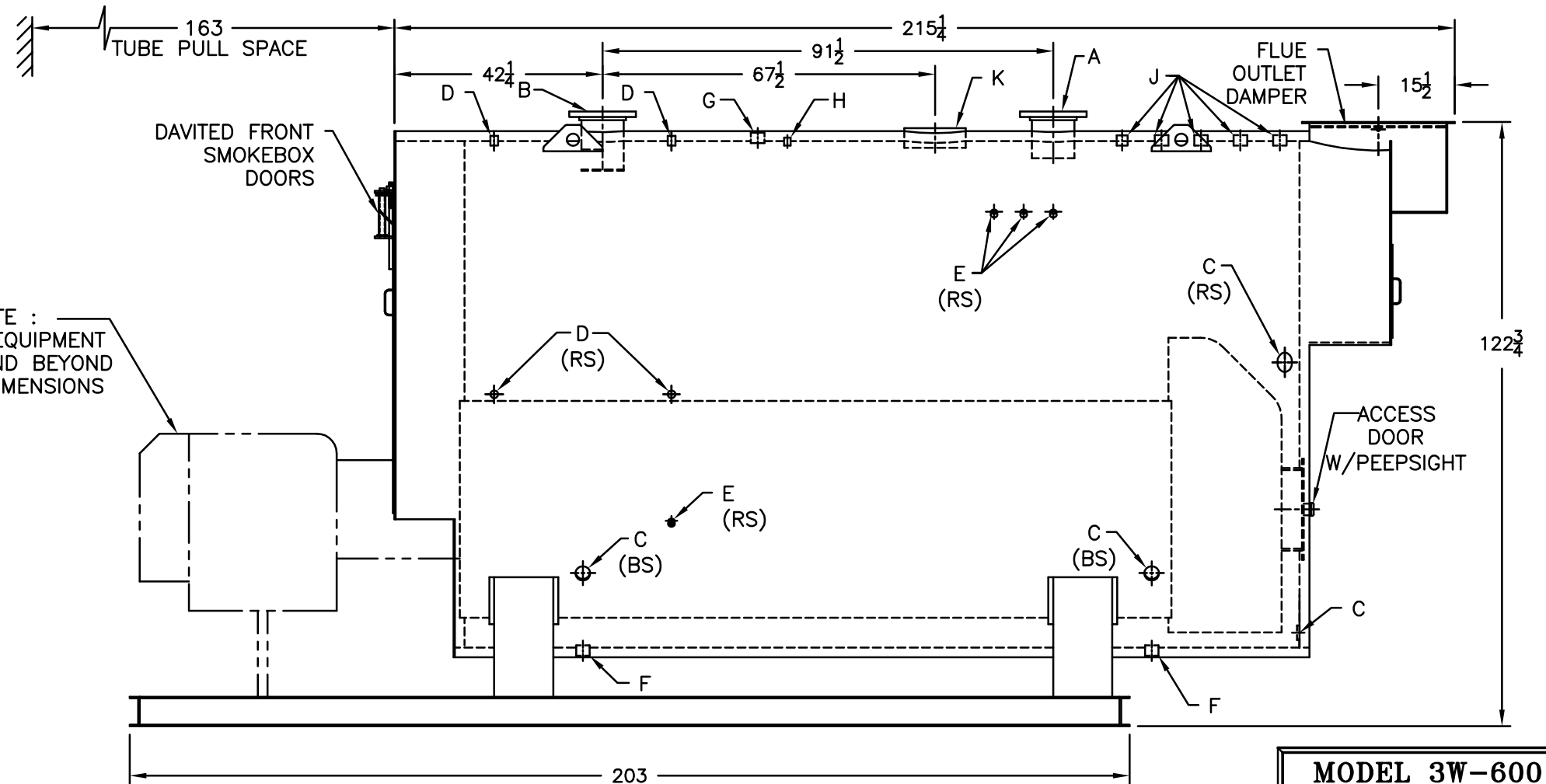
- A = 8" FLANGED SUPPLY (150#)
- B = 8" FLANGED RETURN (150#)
- C = 3" x 4" HANDHOLE
- D = 1" WATER COLUMN
- E = 3/4" AQUASTAT
- F = 2" DRAIN
- G = 2" AUXILIARY
- H = 3/4" TEMPERATURE GAUGE
- J = 2" SAFETY/RELIEF VALVE (4)
 1-1/2" SAFETY/RELIEF VALVE (1)
- K = 12" x 16" MANHOLE
- L = 28" NOMINAL FLUE DIAMETER

LEGEND

BS = BOTH SIDES
 RS = RIGHT SIDE



NOTE :
 BURNER EQUIPMENT
 MAY EXTEND BEYOND
 BOILER DIMENSIONS



MODEL 3W-600
637.5 BHP
30 PSI WATER

SPECIFICATIONS SUBJECT TO CHANGE WITHOUT NOTICE ALL CONNECTIONS ARE THREADED UNLESS OTHERWISE SPECIFIED
 THIS DOCUMENT CONTAINS CONFIDENTIAL INFORMATION WHICH IS THE PROPERTY OF BURNHAM COMMERCIAL. THIS DOCUMENT MAY NOT BE REPRODUCED, TRANSFERRED OR USED, OR ITS CONTENTS DISCLOSED, WITHOUT THE WRITTEN PERMISSION OF THE OWNER.