

# BURNHAM®

## Commercial Boilers

### RATINGS AND DATA

Shell Diameter : 108"  
 Gross Output - BHP : 800  
 Gross Output - MBH : 26780  
 Net Rating - MBH : 23287  
 Relief Valve - Lbs/Hr. : 32000

Heating Surface - Sq. Ft.  
 Fireside - 4000

Firetubes  
 Number - 338  
 Diameter - 2.5" O.D.

Firing Rate  
 1000 BTU Gas (MBH) - 33475  
 140000 BTU/Gal Oil (GPH) - 239.1  
 150000 BTU/Gal Oil (GPH) - 223.2

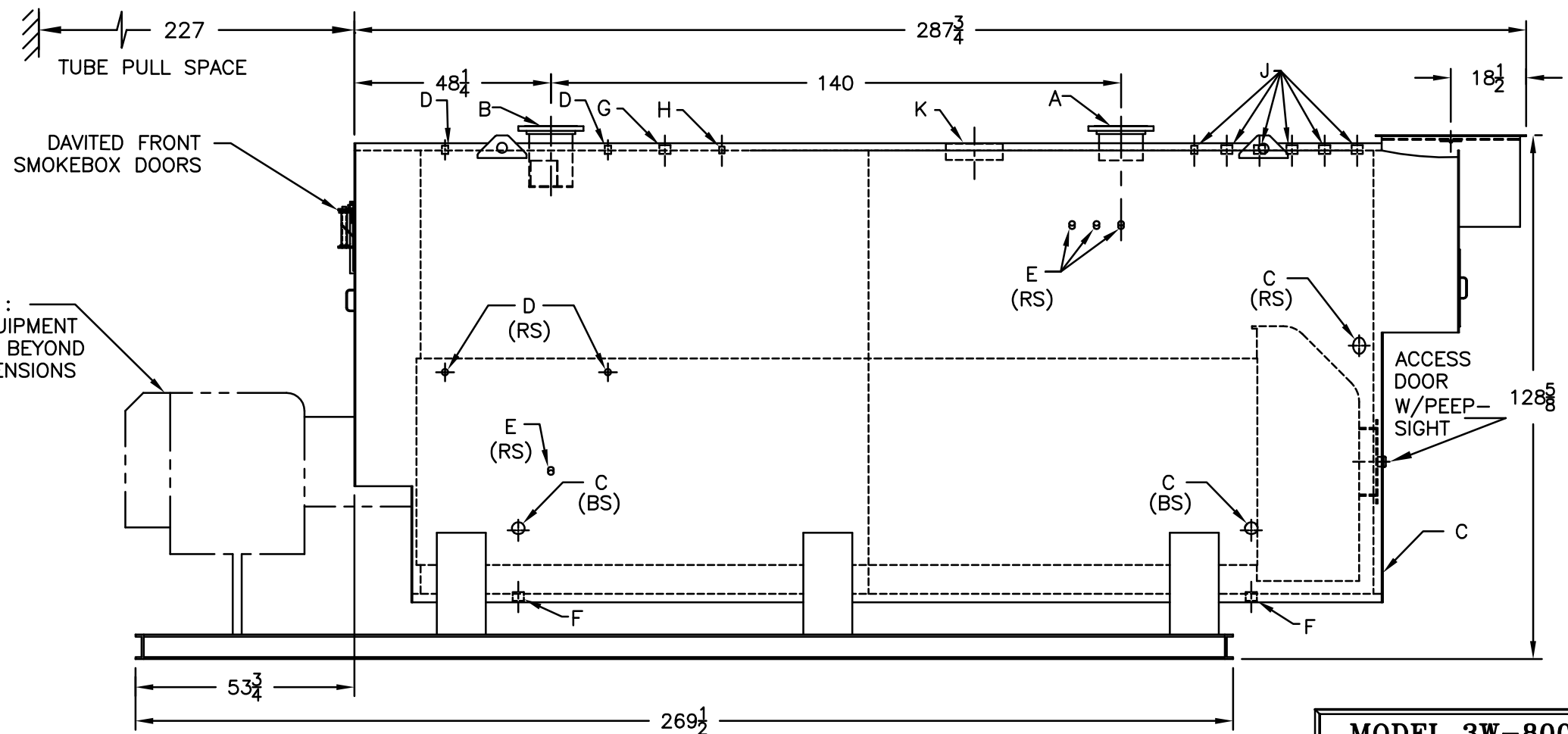
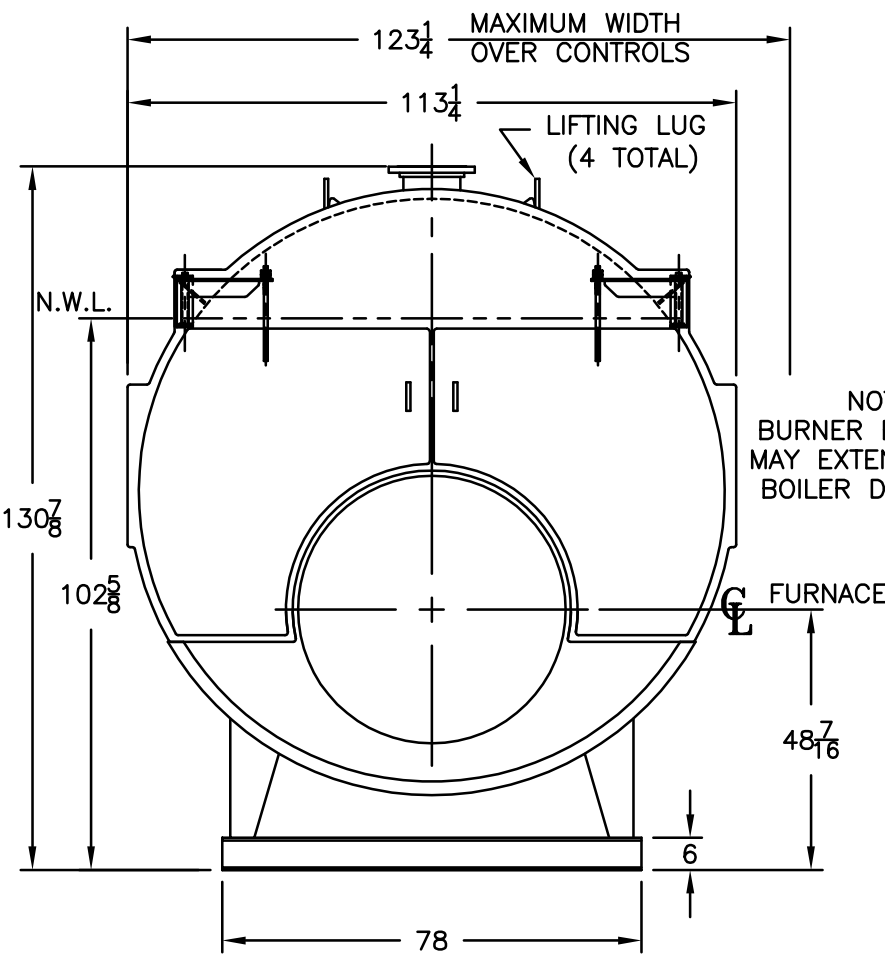
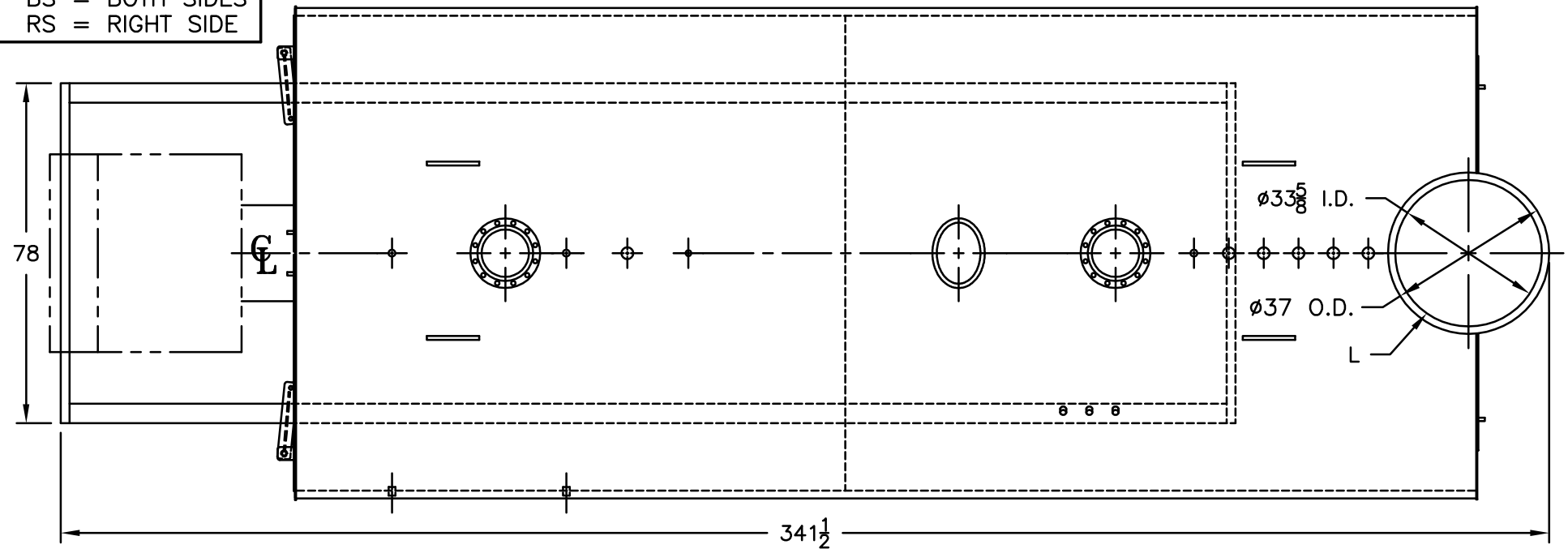
Water Content  
 Pounds - 44100  
 Gallons (U.S.) - 5287  
 Approximate Weight/LBS.  
 Dry - 43900  
 Wet - 88000

### LEGEND CONNECTIONS

- A = 10" FLANGED SUPPLY (150#)
- B = 10" FLANGED RETURN (150#)
- C = 3" x 4" HANDHOLE
- D = 1" WATER COLUMN
- E = 3/4" AQUASTAT
- F = 2" BOTTOM DRAIN
- G = 2" AUXILIARY CONNECTION
- H = 3/4" TEMPERATURE GAUGE
- J = 2" RELIEF VALVE (5)  
 1" RELIEF VALVE (1)
- K = 12" x 16" MANHOLE
- L = 34" NOMINAL FLUE DIAMETER

### LEGEND

BS = BOTH SIDES  
 RS = RIGHT SIDE



NOTE :  
 BURNER EQUIPMENT  
 MAY EXTEND BEYOND  
 BOILER DIMENSIONS

SPECIFICATIONS SUBJECT TO CHANGE WITHOUT NOTICE  
 ALL CONNECTIONS ARE THREADED UNLESS OTHERWISE SPECIFIED

**MODEL 3W-800**  
**800 BHP**  
**30 PSI WATER**