

# BURNHAM®

## Commercial Boilers

### LEGEND CONNECTIONS

- A = 8" FLANGED SUPPLY (150#)
- B = 4" RETURN (STEAM)
- 6" FLANGED RETURN(WATER-150#)
- C = 3" x 4" HANDHOLE
- D = 1" WATER COLUMN
- E = 3/4" AQUASTAT
- F = 2" WASHOUT
- G = 1-1/2" SURFACE BLOWOFF
- H = 2" SAFETY/RELIEF VALVE
- 2-1/2" SAFETY/RELIEF VALVE (2)
- J = 12" X 16" MANHOLE
- K = 22" NOMINAL FLUE DIAMETER

### RATINGS AND DATA

Shell Diameter : 66"

---

Heating Surface - Sq. Ft.  
 Fireside - 1157  
 Waterside - 1250

---

Firtubes  
 Number - 158  
 Diameter - 3" O.D.

---

Furnace  
 Volume (Cubic Feet) - 160.7

---

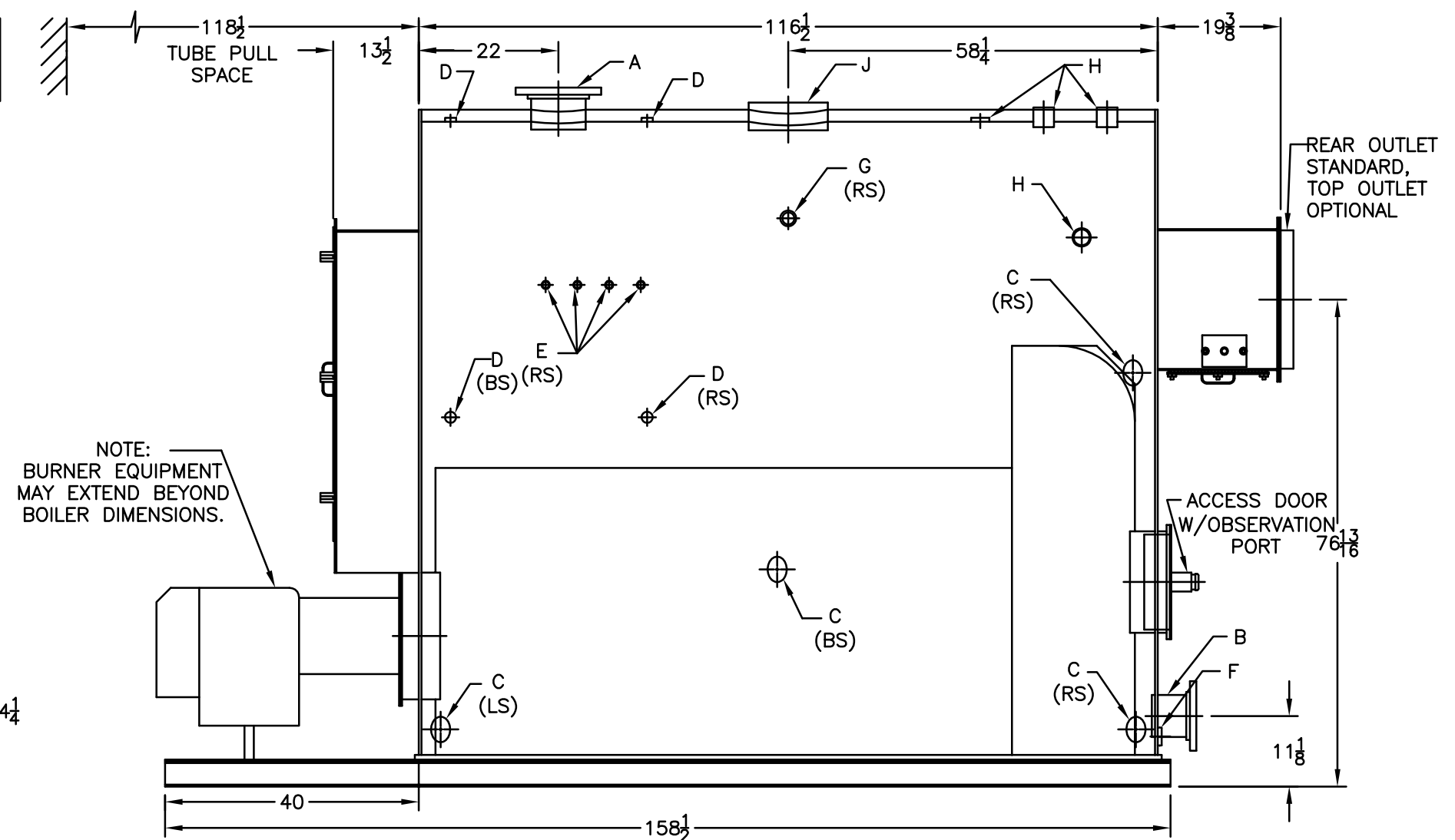
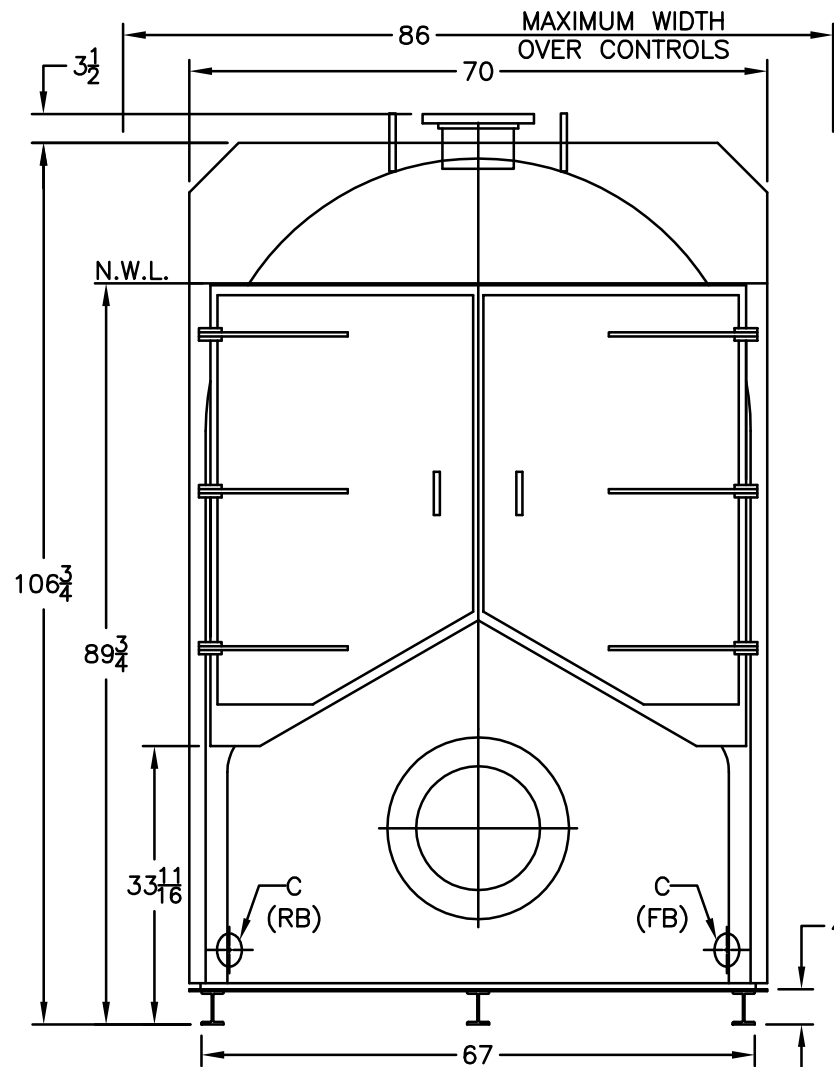
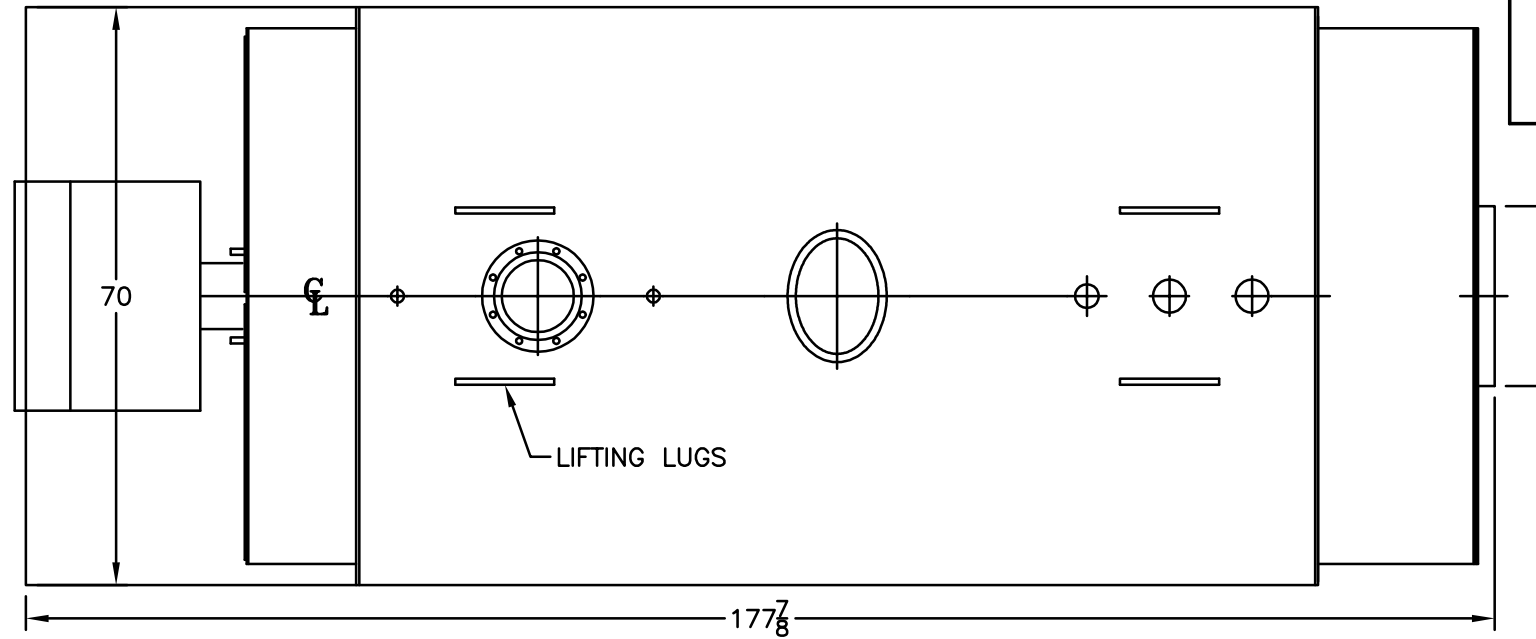
Water Content  
 Steam - 1050 Gal. (U.S.)  
 Water - 1330 Gal. (U.S.)

---

Approximate Weight (Lb.)  
 Dry - 17600  
 Wet (Steam) - 26360  
 Wet (Water) - 28695

### LEGEND

- BS = BOTH SIDES
- RS = RIGHT SIDE
- LS = LEFT SIDE
- FB = FRONT OF BOILER
- RB = REAR OF BOILER



SPECIFICATIONS SUBJECT TO CHANGE WITHOUT NOTICE ALL CONNECTIONS ARE THREADED UNLESS OTHERWISE SPECIFIED

THIS DOCUMENT CONTAINS CONFIDENTIAL INFORMATION WHICH IS THE PROPERTY OF BURNHAM COMMERCIAL. THIS DOCUMENT MAY NOT BE REPRODUCED, TRANSFERRED OR USED, OR ITS CONTENTS DISCLOSED, WITHOUT THE WRITTEN PERMISSION OF THE OWNER.

**MODEL 4F-1157**

MAY 2015 TS-3-19-2