

BURNHAM®

Commercial Boilers

LEGEND CONNECTIONS

- A = 6" FLANGED SUPPLY (150#)
- B = 4" RETURN
- C = 3" x 4" HANDHOLE
- D = 1" WATER COLUMN
- E = 3/4" AQUASTAT
- F = 1-1/2" SURFACE BLOWOFF/WASHOUT
- G = 1/2" TEMPERATURE GAUGE
- H = 1-1/4" SAFETY/RELIEF VALVE
- J = 1" AUXILIARY CONNECTION
- K = 10" NOMINAL FLUE DIAMETER

RATINGS AND DATA

Shell Diameter : 33 $\frac{1}{8}$ "

Heating Surface - Sq. Ft.
 Fireside - 120
 Waterside - 127

Firtubes
 Number - 61
 Diameter - 2" O.D.

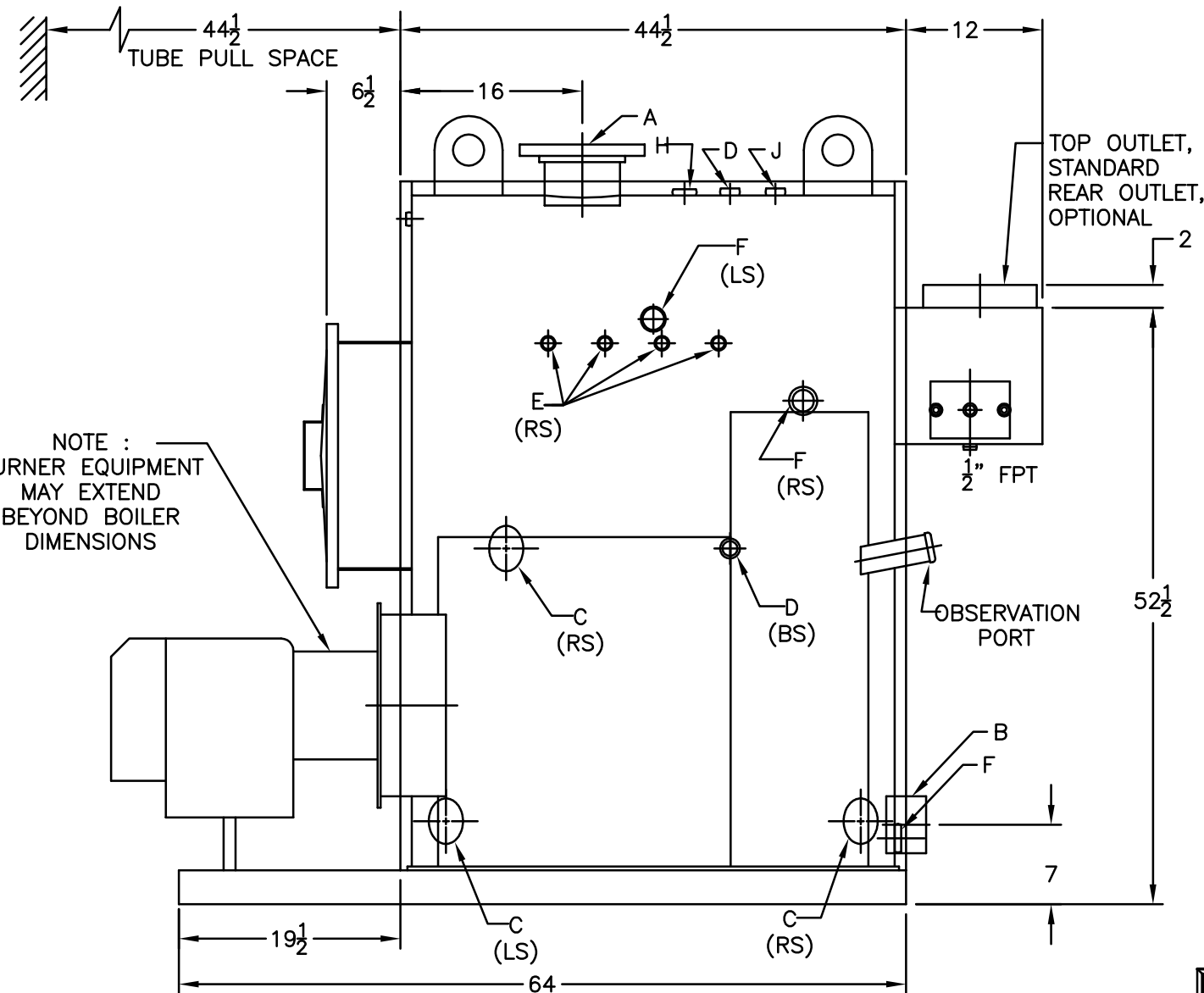
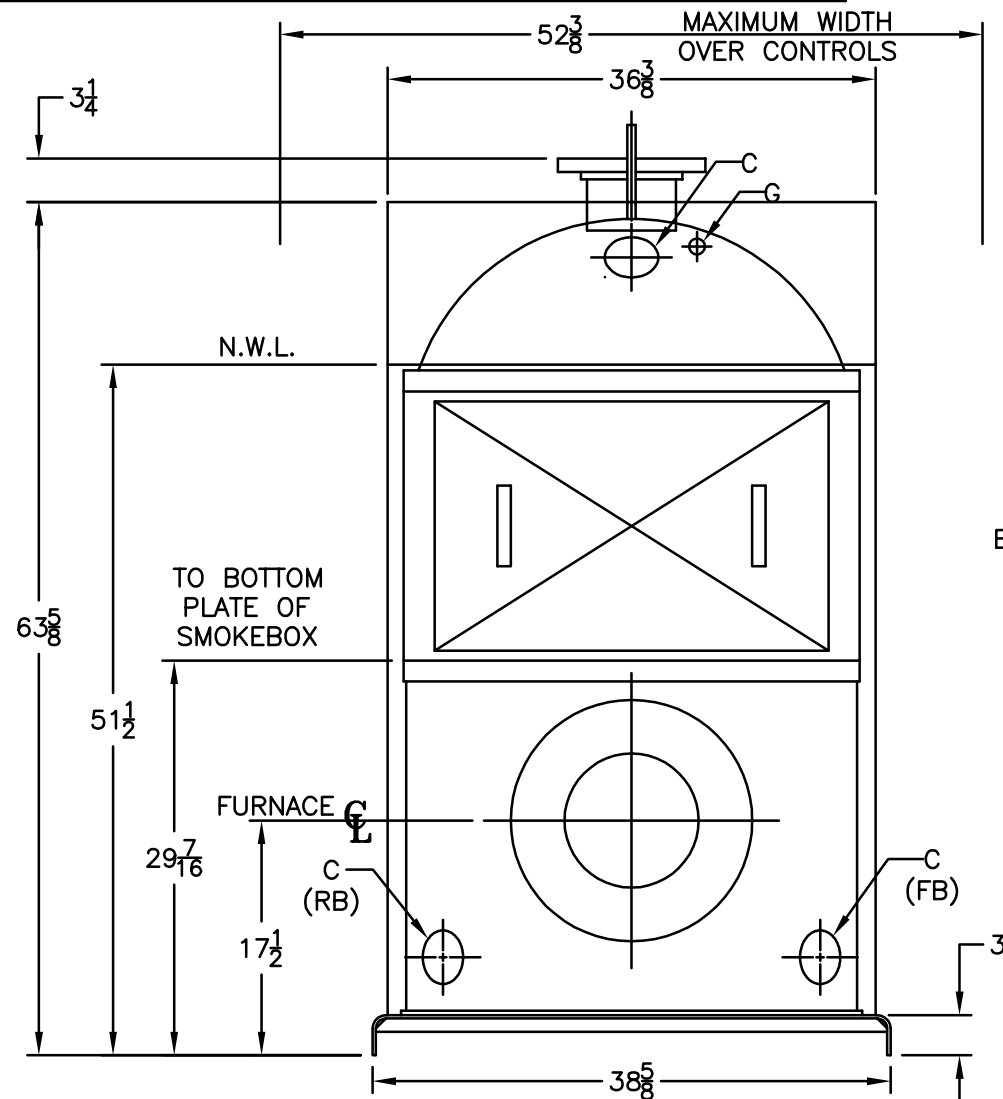
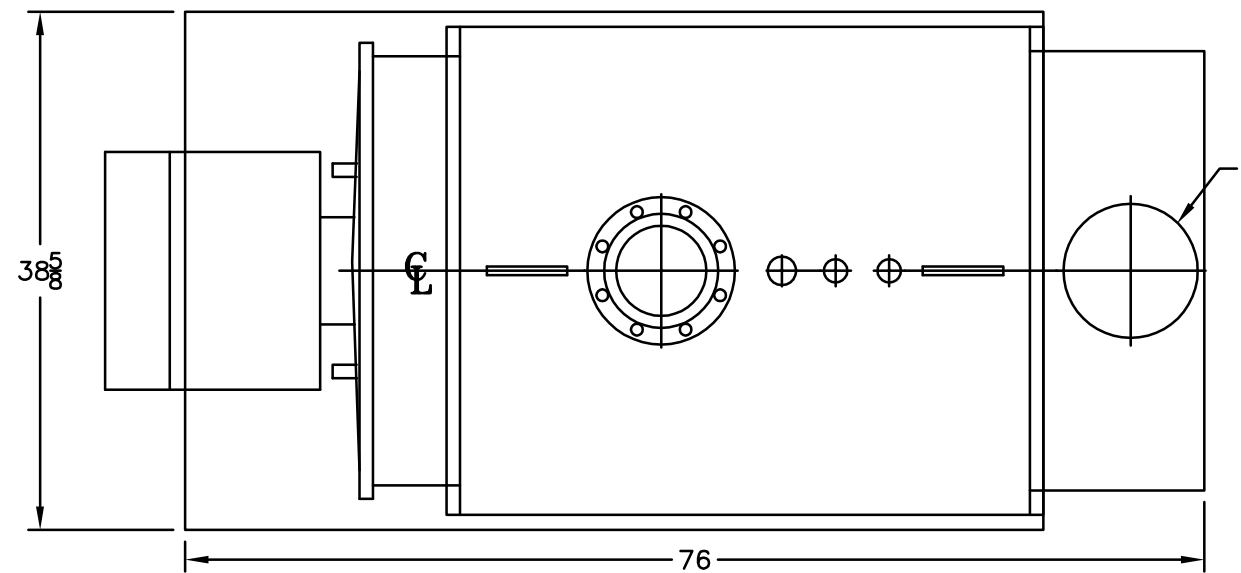
Furnace
 Volume (Cubic Feet) - 18.3

Water Content
 Steam - 117 Gal. (U.S.)
 Water - 161 Gal. (U.S.)

Approximate Weight (Lb.)
 Dry - 2700
 Wet (Steam) - 3670
 Wet (Water) - 4040

LEGEND

- BS = BOTH SIDES
- RS = RIGHT SIDE
- LS = LEFT SIDE
- FB = FRONT OF BOILER
- RB = REAR OF BOILER



SPECIFICATIONS SUBJECT TO CHANGE WITHOUT NOTICE ALL CONNECTIONS ARE THREADED UNLESS OTHERWISE SPECIFIED
 THIS DOCUMENT CONTAINS CONFIDENTIAL INFORMATION WHICH IS THE PROPERTY OF BURNHAM COMMERCIAL. THIS DOCUMENT MAY NOT BE REPRODUCED, TRANSFERRED OR USED, OR ITS CONTENTS DISCLOSED, WITHOUT THE WRITTEN PERMISSION OF THE OWNER.

MODEL 4F-127

MAY 2015 TS-3-5-2