

BURNHAM® Commercial Boilers

LEGEND CONNECTIONS

- A = 6" FLANGED SUPPLY (150#)
- B = 4" RETURN
- C = 3" x 4" HANDHOLE
- D = 1" WATER COLUMN
- E = 3/4" AQUASTAT
- F = 1-1/2" SURFACE BLOWOFF/
WASHOUT
- G = 1/2" TEMPERATURE GAUGE
- H = 2" SAFETY/RELIEF VALVE
- J = 1" AUXILLIARY CONNECTION
- K = 12" NOMINAL FLUE DIAMETER

RATINGS AND DATA

Shell Diameter : 47 $\frac{3}{8}$ "

Heating Surface - Sq. Ft.
 Fireside - 224
 Waterside - 240

Firetubes
 Number - 90
 Diameter - 2" O.D.

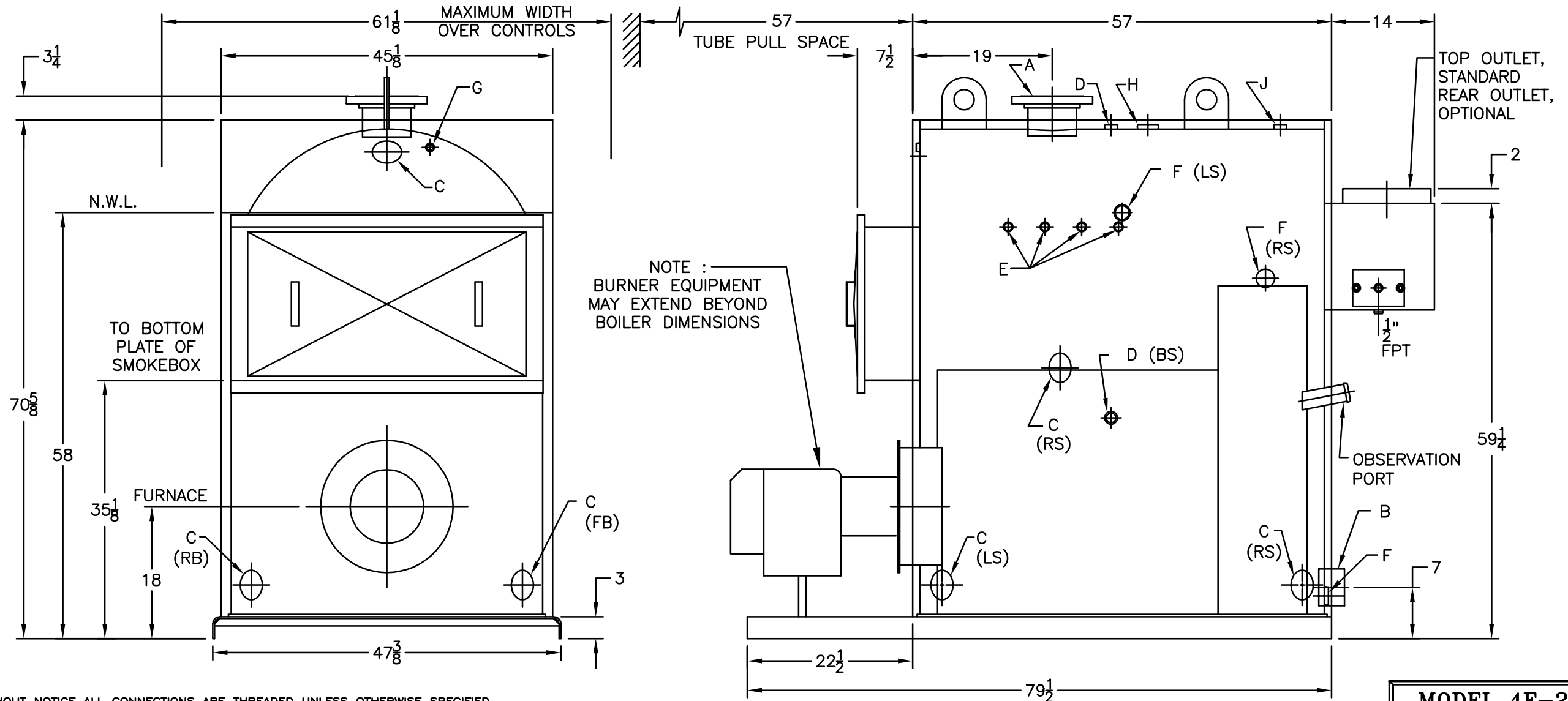
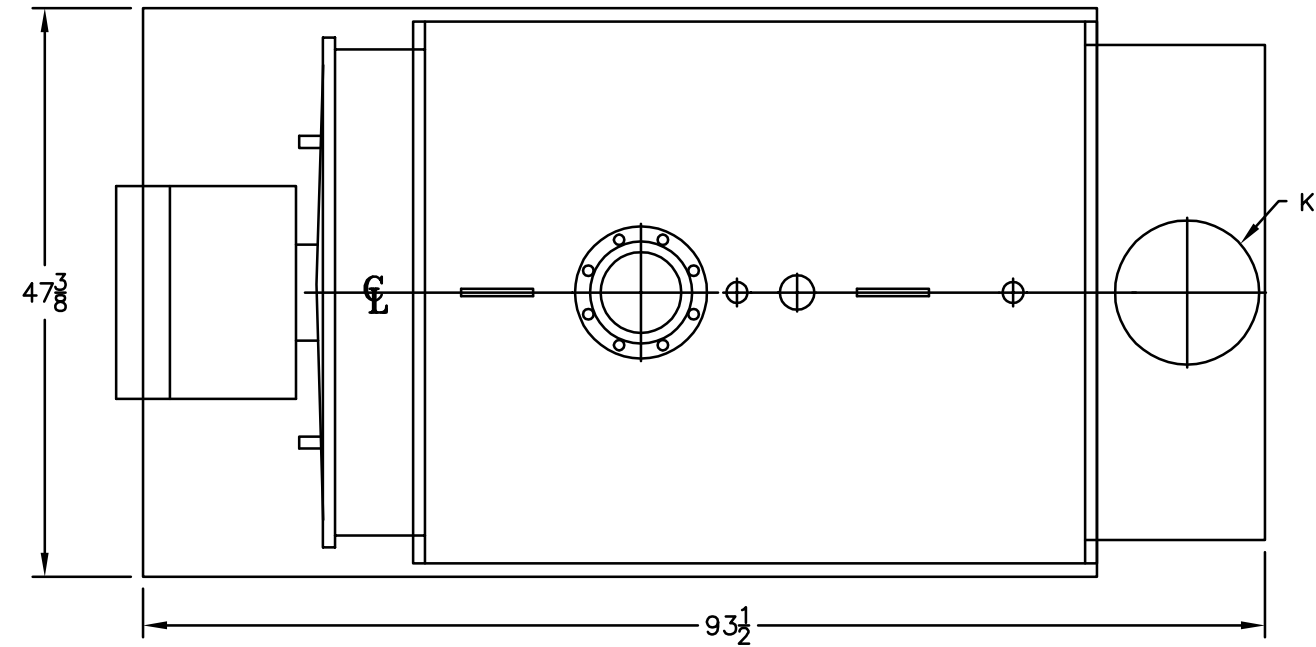
Furnace
 Volume (Cubic Feet) - 34.7

Water Content
 Steam - 207 Gal. (U.S.)
 Water - 276 Gal. (U.S.)

Approximate Weight (Lb.)
 Dry - 4200
 Wet (Steam) - 5920
 Wet (Water) - 6500

LEGEND

- BS = BOTH SIDES
- RS = RIGHT SIDE
- LS = LEFT SIDE
- FB = FRONT OF BOILER
- RB = REAR OF BOILER



SPECIFICATIONS SUBJECT TO CHANGE WITHOUT NOTICE ALL CONNECTIONS ARE THREADED UNLESS OTHERWISE SPECIFIED
 THIS DOCUMENT CONTAINS CONFIDENTIAL INFORMATION WHICH IS THE PROPERTY OF BURNHAM COMMERCIAL. THIS DOCUMENT MAY NOT BE REPRODUCED, TRANSFERRED OR USED, OR ITS CONTENTS DISCLOSED, WITHOUT THE WRITTEN PERMISSION OF THE OWNER.

MODEL 4F-240

MAY 2015 TS-3-9-2