

BURNHAM®

Commercial Boilers

LEGEND CONNECTIONS

- A = 10" FLANGED SUPPLY (150#)
- B = 4" RETURN
- C = 3" x 4" HANDHOLE
- D = 1" WATER COLUMN
- E = 3/4" AQUASTAT
- F = 1-1/2" SURFACE BLOWOFF/WASHOUT
- G = 1/2" TEMPERATURE GAUGE
- H = 2" SAFETY/RELIEF VALVE
- J = 1" AUXILIARY CONNECTION
- K = 18" NOMINAL FLUE DIAMETER

RATINGS AND DATA

Shell Diameter : 51 $\frac{3}{8}$ "

Heating Surface - Sq. Ft.
 Fireside - 563
 Waterside - 622

Firetubes
 Number - 128
 Diameter - 2" O.D.

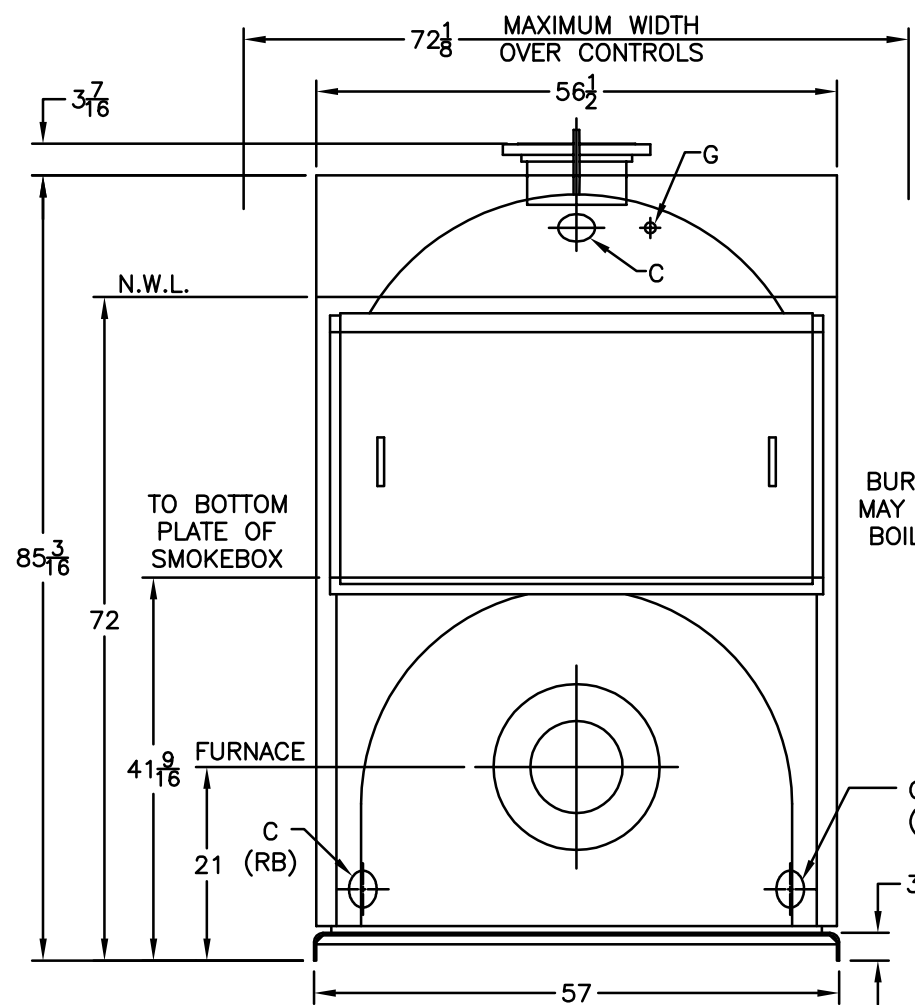
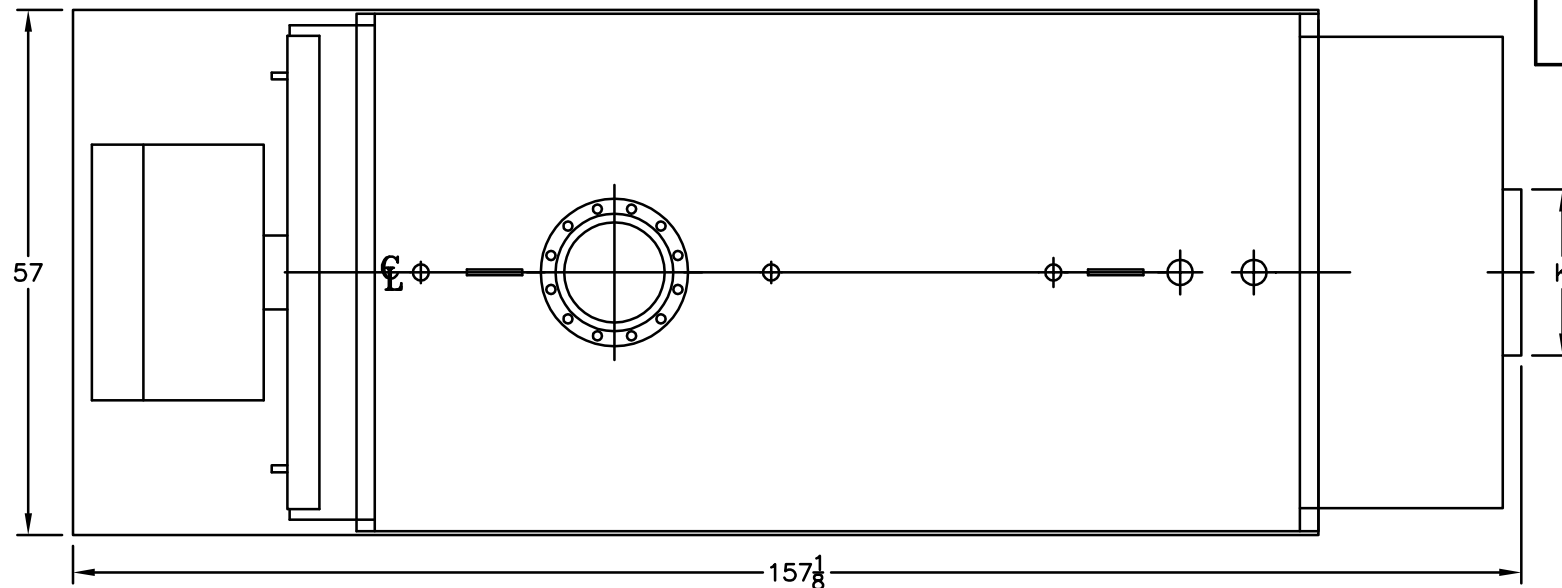
Furnace
 Volume (Cubic Feet) - 89.3

Water Content
 Steam - 664 Gal. (U.S.)
 Water - 800 Gal. (U.S.)

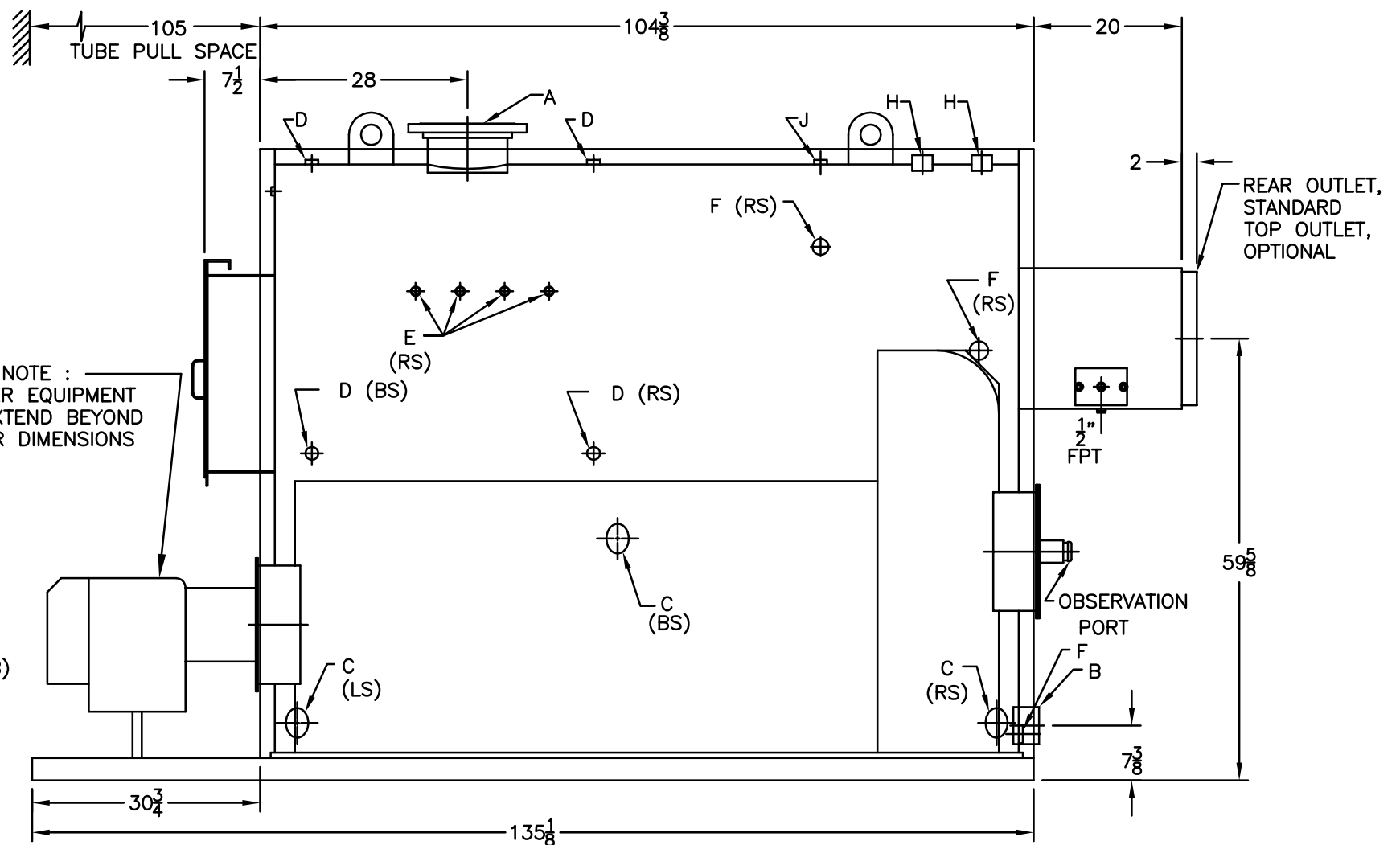
Approximate Weight (Lb.)
 Dry - 9300
 Wet (Steam) - 14815
 Wet (Water) - 15975

LEGEND

- BS = BOTH SIDES
- RS = RIGHT SIDE
- LS = LEFT SIDE
- FB = FRONT OF BOILER
- RB = REAR OF BOILER



NOTE :
 BURNER EQUIPMENT
 MAY EXTEND BEYOND
 BOILER DIMENSIONS



SPECIFICATIONS SUBJECT TO CHANGE WITHOUT NOTICE ALL CONNECTIONS ARE THREADED UNLESS OTHERWISE SPECIFIED
 THIS DOCUMENT CONTAINS CONFIDENTIAL INFORMATION WHICH IS THE PROPERTY OF BURNHAM COMMERCIAL. THIS DOCUMENT MAY NOT BE REPRODUCED, TRANSFERRED OR USED, OR ITS CONTENTS DISCLOSED, WITHOUT THE WRITTEN PERMISSION OF THE OWNER.

MODEL 4F-563

OCT 2015 TS-3-15-2