

BURNHAM®

Commercial Boilers

LEGEND CONNECTIONS

- A = 4" SUPPLY
- B = 3" RETURN
- C = 3" x 4" HANDHOLE
- D = 1" WATER COLUMN
- E = 3/4" AQUASTAT
- F = 1-1/2" SURFACE BLOWOFF/WASHOUT
- G = 1/2" TEMPERATURE GAUGE
- H = 1-1/4" SAFETY/RELIEF VALVE
- J = 1" AUXILIARY CONNECTION
- K = 7" NOMINAL FLUE DIAMETER

RATINGS AND DATA

Shell Diameter : 27 $\frac{3}{4}$ "

Heating Surface - Sq. Ft.
 Fireside - 73
 Waterside - 78

Firetubes
 Number - 41
 Diameter - 2" O.D.

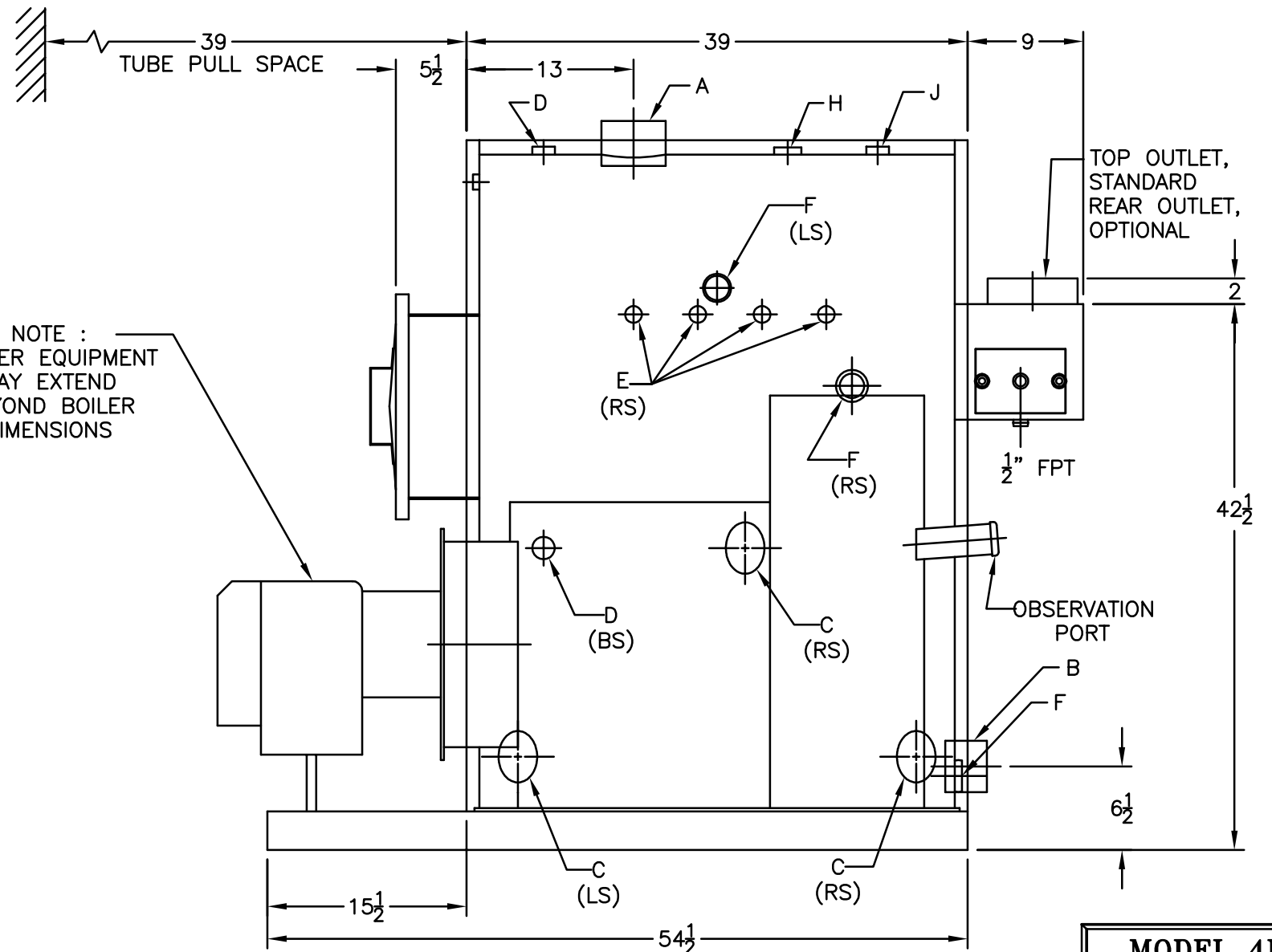
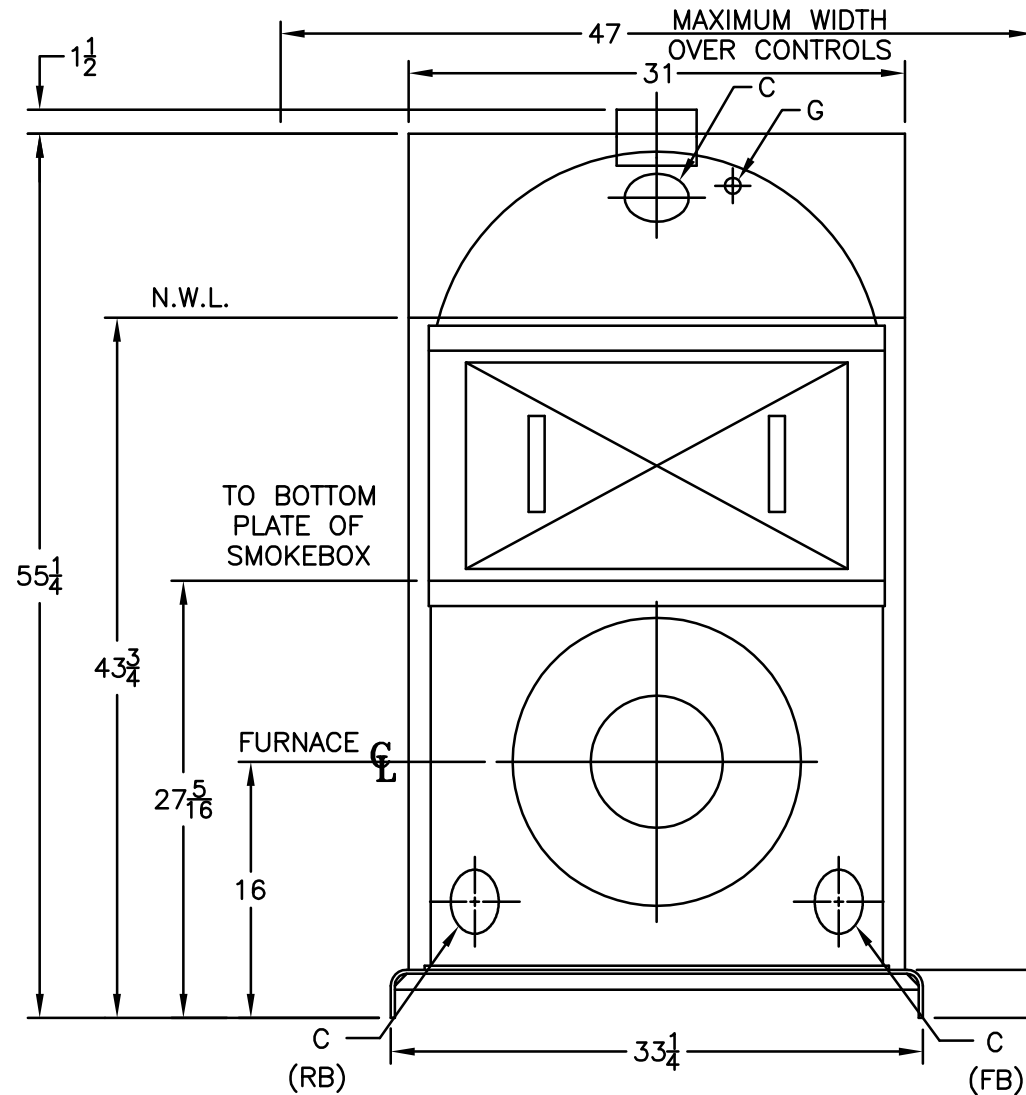
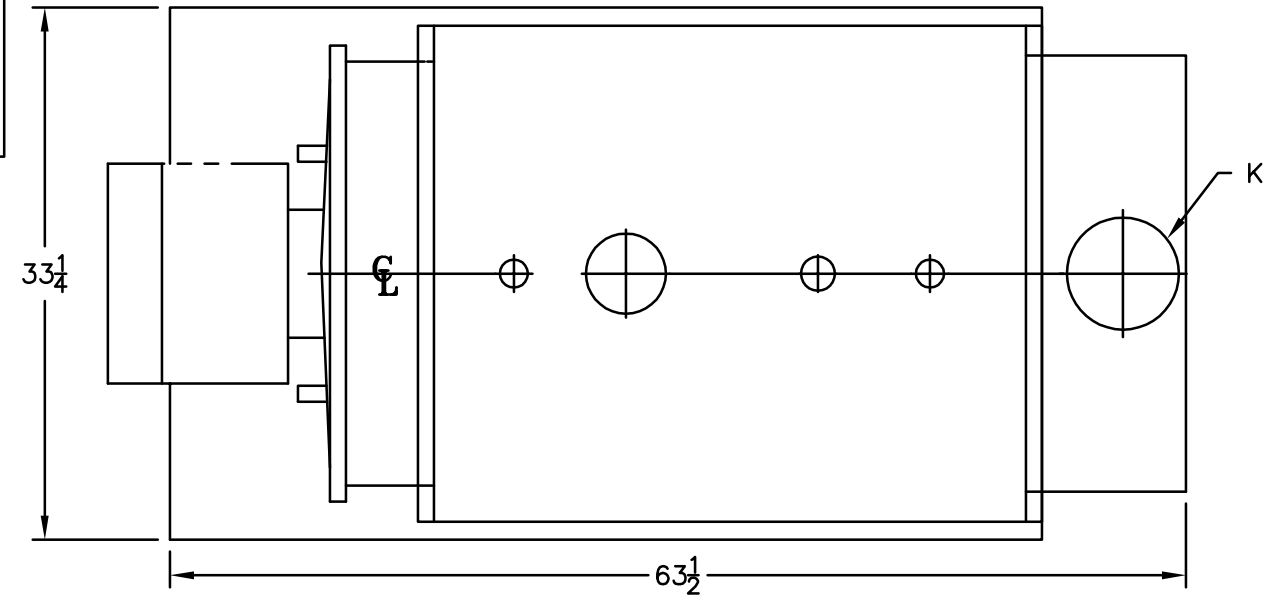
Furnace
 Volume (Cubic Feet) - 10.7

Water Content
 Steam - 76 Gal. (U.S.)
 Water - 107 Gal. (U.S.)

Approximate Weight (Lb.)
 Dry - 1900
 Wet (Steam) - 2530
 Wet (Water) - 2795

LEGEND

- BS = BOTH SIDES
- RS = RIGHT SIDE
- LS = LEFT SIDE
- FB = FRONT OF BOILER
- RB = REAR OF BOILER



SPECIFICATIONS SUBJECT TO CHANGE WITHOUT NOTICE ALL CONNECTIONS ARE THREADED UNLESS OTHERWISE SPECIFIED
 THIS DOCUMENT CONTAINS CONFIDENTIAL INFORMATION WHICH IS THE PROPERTY OF BURNHAM COMMERCIAL. THIS DOCUMENT MAY NOT BE REPRODUCED, TRANSFERRED OR USED, OR ITS CONTENTS DISCLOSED, WITHOUT THE WRITTEN PERMISSION OF THE OWNER.

MODEL 4F-78