

# BURNHAM®

## Commercial Boilers

### LEGEND CONNECTIONS

- A = 8" FLANGED SUPPLY (150#)
- B = 4" RETURN (STEAM)
- 6" FLANGED RETURN(WATER-150#)
- C = 3" x 4" HANDHOLE
- D = 1" WATER COLUMN
- E = 3/4" AQUASTAT
- F = 1-1/2" SURFACE BLOWOFF
- G = 2" WASHOUT
- H = 2" SAFETY/RELIEF VALVE
- J = 20" NOMINAL FLUE DIAMETER

### RATINGS AND DATA

Shell Diameter : 60"

---

Heating Surface - Sq. Ft.  
 Fireside - 827  
 Waterside - 893

Firetubes  
 Number - 122  
 Diameter - 3" O.D.

---

Furnace  
 Volume (Cubic Feet) - 115.6

---

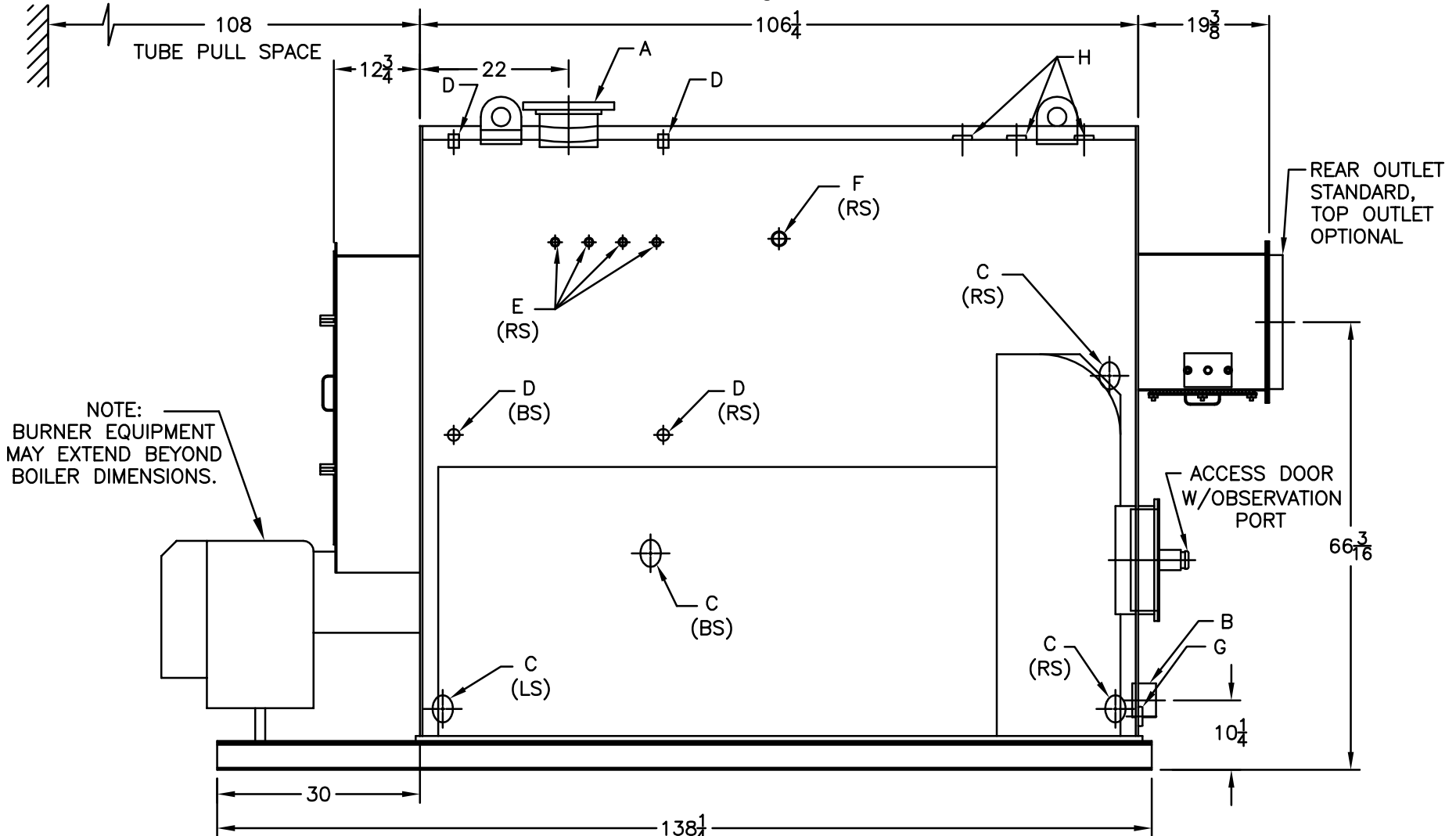
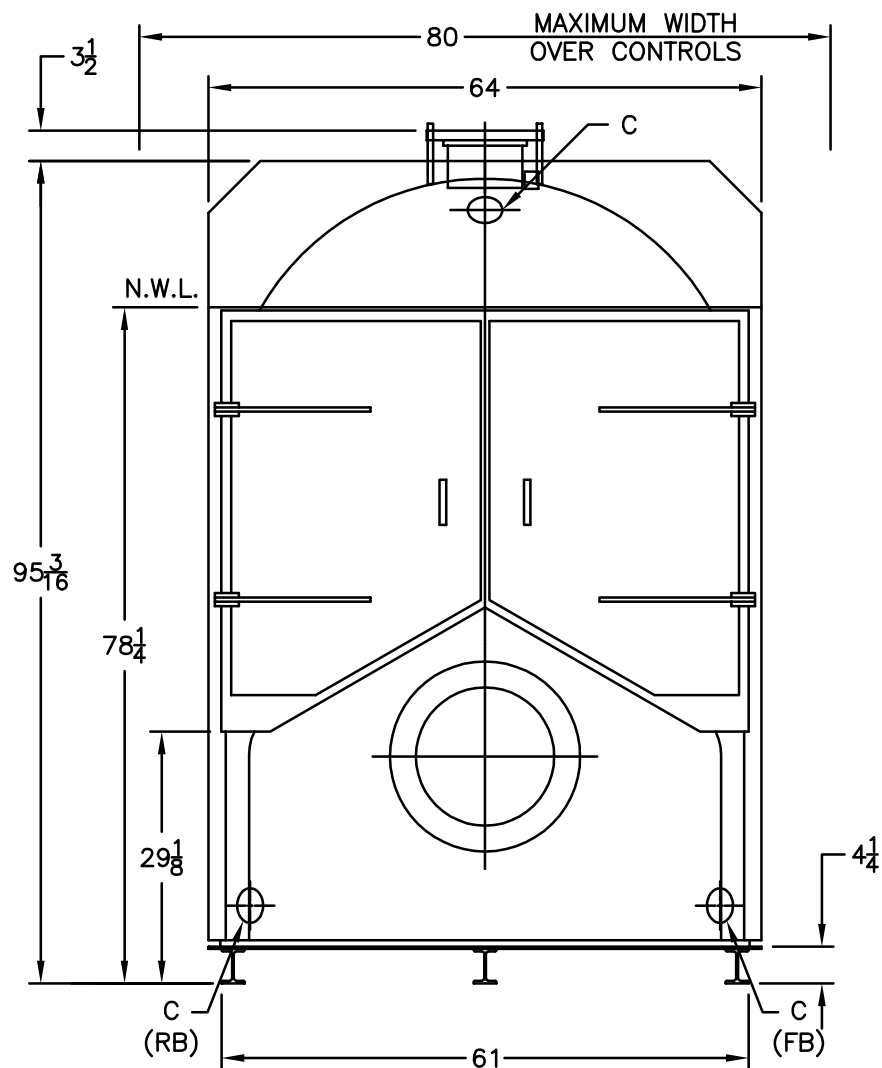
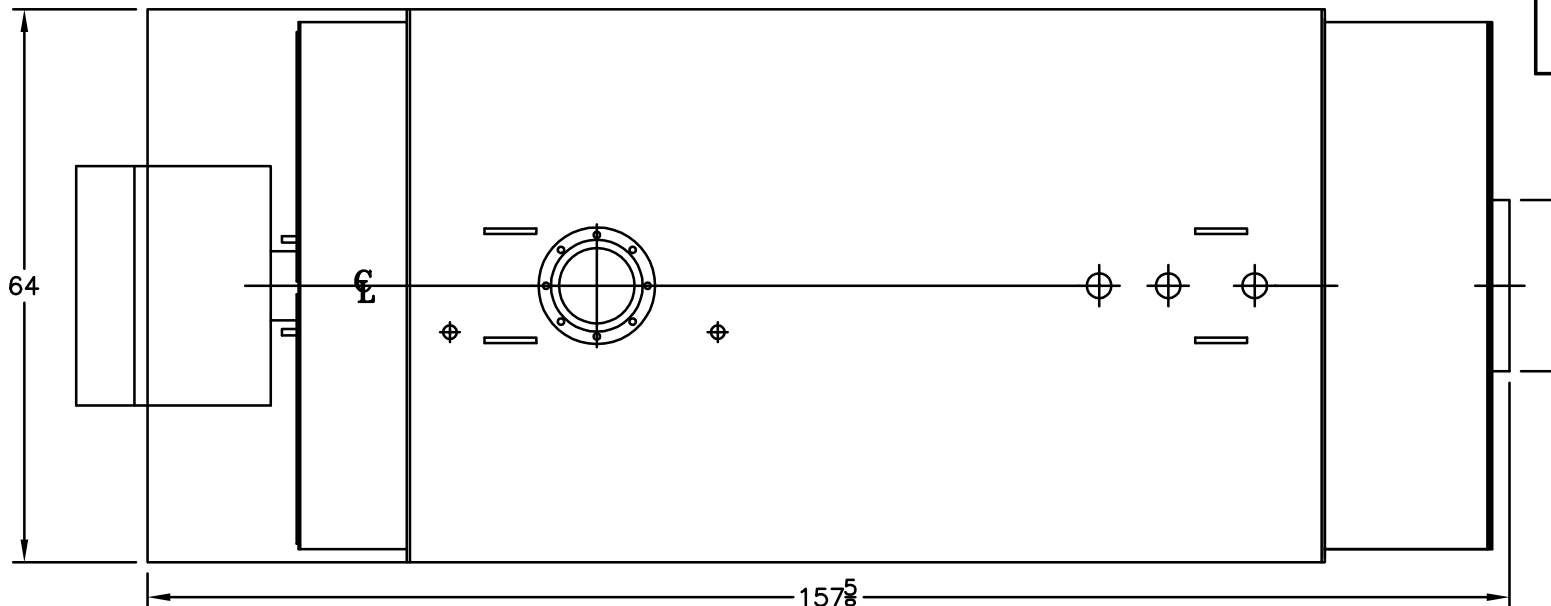
Water Content  
 Steam - 761 Gal. (U.S.)  
 Water - 1003 Gal. (U.S.)

---

Approximate Weight (Lb.)  
 Dry - 13200  
 Wet (Steam) - 19550  
 Wet (Water) - 21565

### LEGEND

- BS = BOTH SIDES
- RS = RIGHT SIDE
- LS = LEFT SIDE
- FB = FRONT OF BOILER
- RB = REAR OF BOILER



SPECIFICATIONS SUBJECT TO CHANGE WITHOUT NOTICE ALL CONNECTIONS ARE THREADED UNLESS OTHERWISE SPECIFIED  
 THIS DOCUMENT CONTAINS CONFIDENTIAL INFORMATION WHICH IS THE PROPERTY OF BURNHAM COMMERCIAL. THIS DOCUMENT MAY NOT BE REPRODUCED, TRANSFERRED OR USED, OR ITS CONTENTS DISCLOSED, WITHOUT THE WRITTEN PERMISSION OF THE OWNER.

**MODEL 4F-827**

MAY 2015 TS-3-17-2