

BURNHAM®

Commercial Boilers

RATINGS AND DATA

Shell Diameter : 80"
 Gross Output - BHP : 264.1
 Gross Output - MBH : 8840
 Gross Output - Lbs/Hr : 9111
 Net Rating - MBH : 6863
 Net Rating - Sq. Ft. : 28596
 Safety Valve - Lbs/Hr. : 10000

Heating Surface - Sq. Ft.
 Fireside - 1250
 Firetubes
 Number - 164
 Diameter - 2.5" O.D.

Firing Rate
 1000 BTU Gas (MBH) - 10461
 140000 BTU/Gal Oil (GPH) - 72.3
 150000 BTU/Gal Oil (GPH) - 67.5

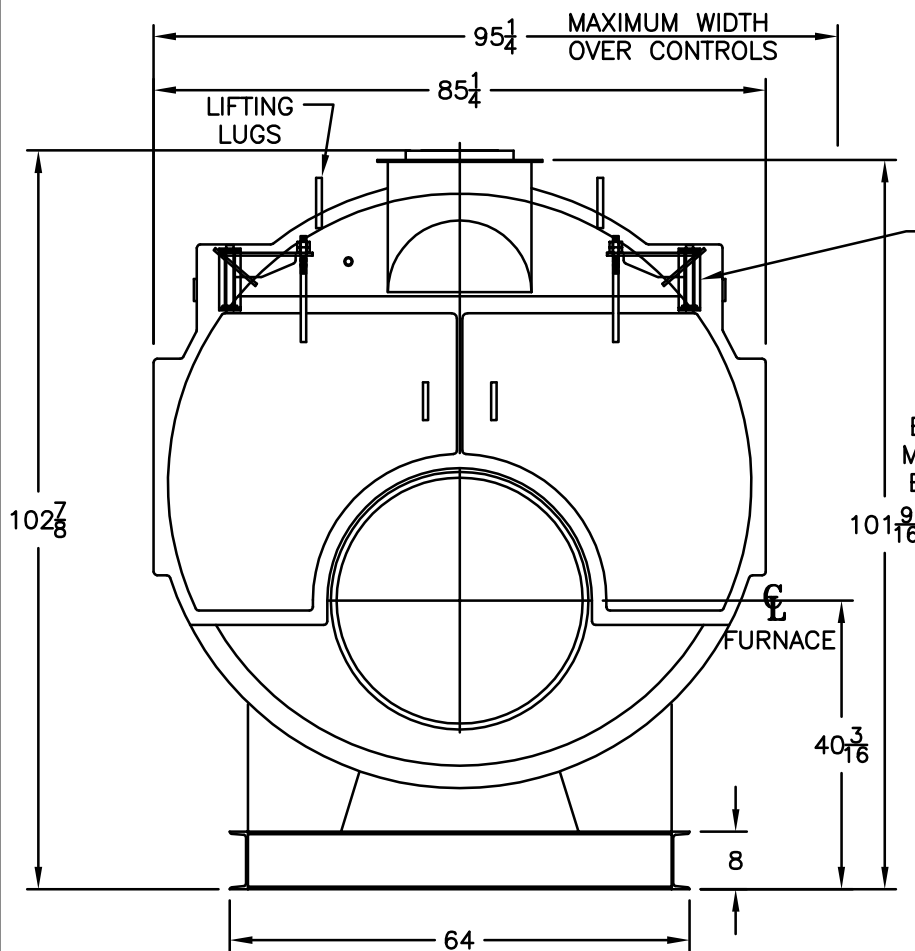
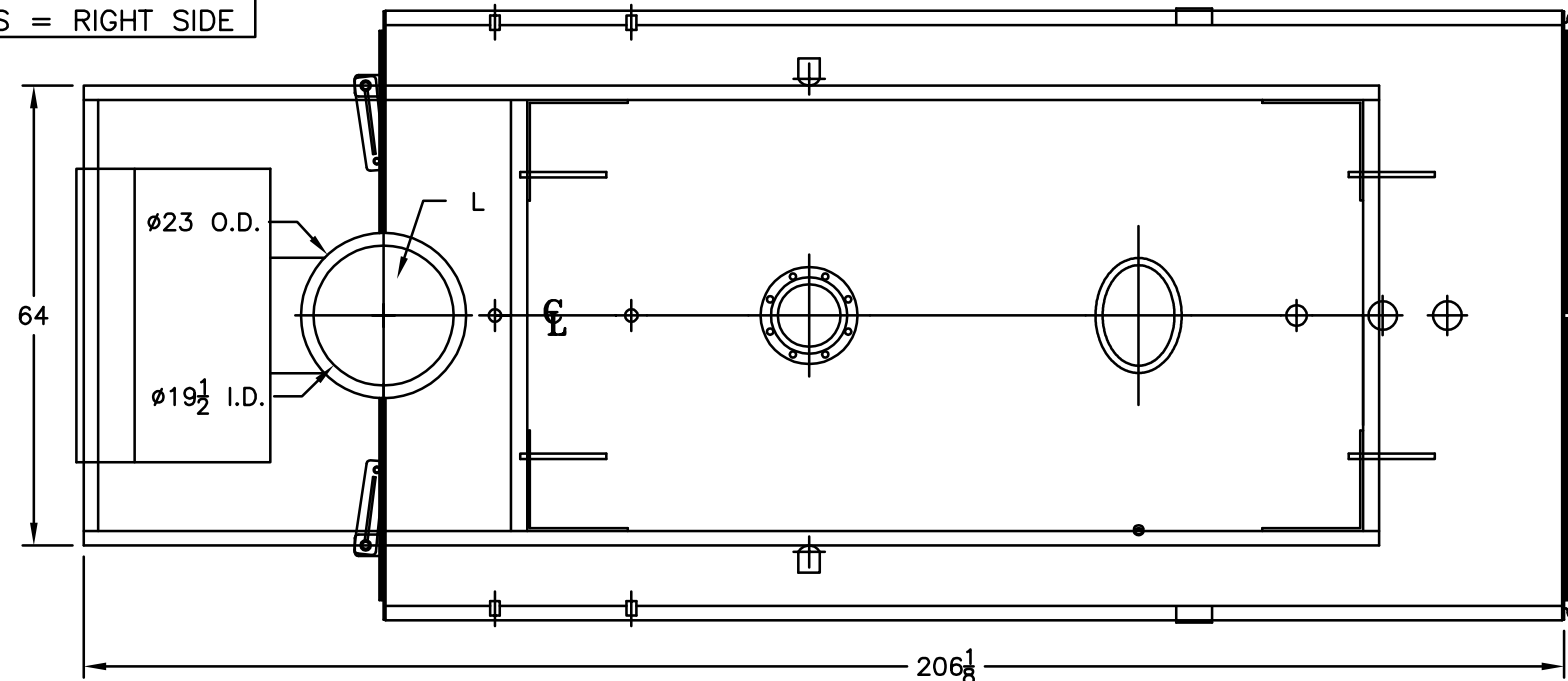
Water Content
 Pounds - 12855
 Gallons (U.S.) - 1541
 Approximate Weight/LBS.
 Dry - 16494
 Wet - 29349

LEGEND CONNECTIONS

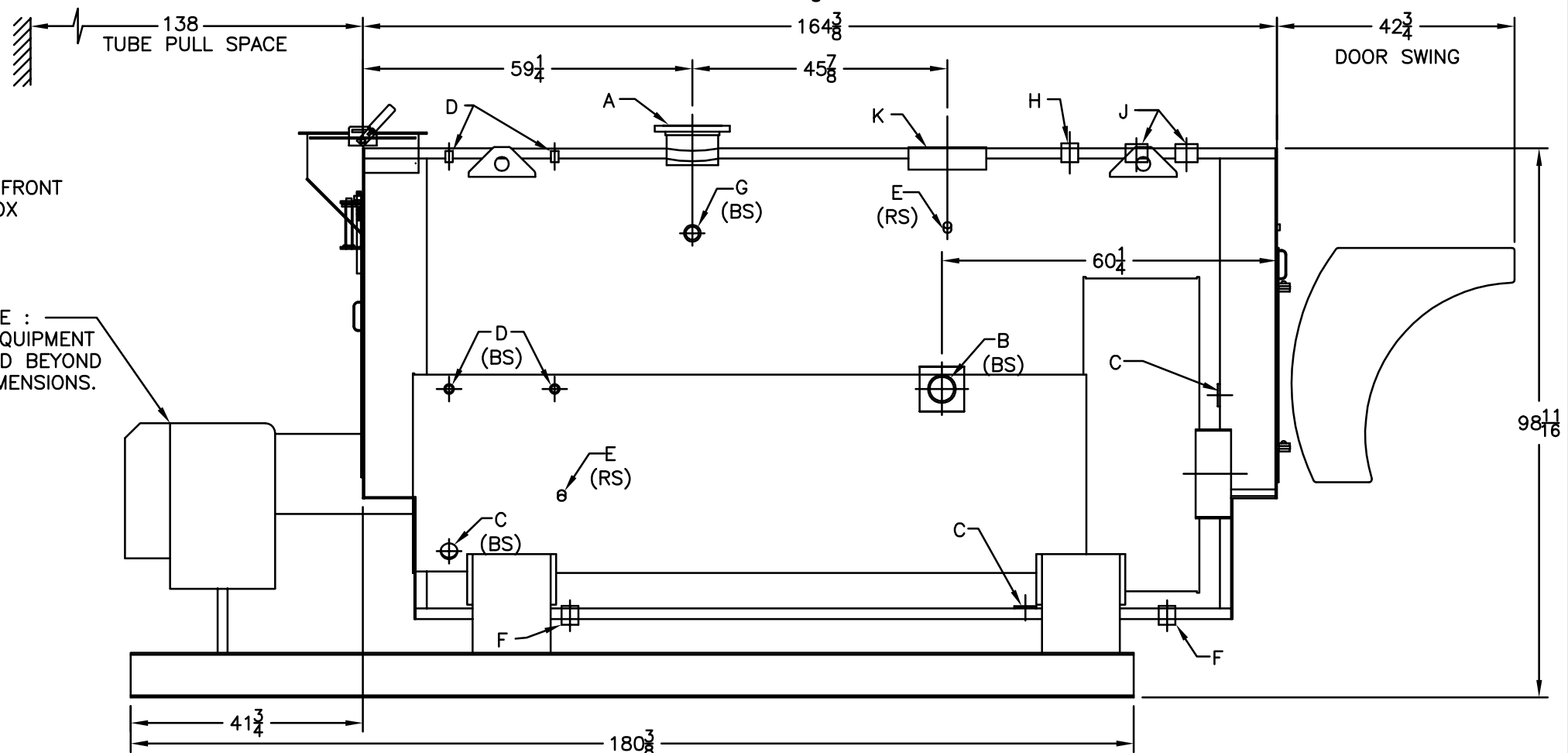
- A = 8" FLANGED SUPPLY (150#)
- B = 4" RETURN
- C = 3" x 4" HANDHOLE
- D = 1" WATER COLUMN
- E = 3/4" AQUASTAT
- F = 2" BOTTOM BLOWDOWN
- G = 2" SURFACE BLOWOFF
- H = 2" AUXILIARY CONNECTION
- J = 3" SAFETY VALVE (2)
- K = 12" X 16" MANHOLE
- L = 20" NOMINAL FLUE DIAMETER

LEGEND

BS = BOTH SIDES
 RS = RIGHT SIDE



NOTE :
 BURNER EQUIPMENT
 MAY EXTEND BEYOND
 BOILER DIMENSIONS.



MODEL 4SL-250
264.1 BHP
15 PSI STEAM

SPECIFICATIONS SUBJECT TO CHANGE WITHOUT NOTICE ALL CONNECTIONS ARE THREADED UNLESS OTHERWISE SPECIFIED
 THIS DOCUMENT CONTAINS CONFIDENTIAL INFORMATION WHICH IS THE PROPERTY OF BURNHAM COMMERCIAL. THIS DOCUMENT MAY NOT BE REPRODUCED, TRANSFERRED OR USED, OR ITS CONTENTS DISCLOSED, WITHOUT THE WRITTEN PERMISSION OF THE OWNER.