

# BURNHAM®

## Commercial Boilers

### LEGEND CONNECTIONS

- A = 12" FLANGED SUPPLY (150#)
- B = 4" RETURN
- C = 3" x 4" HANDHOLE
- D = 1" WATER COLUMN
- E = 3/4" AQUASTAT
- F = 2" BOTTOM BLOWDOWN
- G = 2" SURFACE BLOWOFF
- H = 2" AUXILIARY CONNECTION
- J = 3" SAFETY VALVE (3)  
2-1/2" SAFETY VALVE (1)
- K = 12" X 16" MANHOLE
- L = 28" NOMINAL FLUE DIAMETER

### RATINGS AND DATA

Shell Diameter : 98"  
 Gross Output - BHP : 644.2  
 Gross Output - MBH : 21566  
 Gross Output - Lbs/Hr : 22227  
 Net Rating - MBH : 16744  
 Net Rating - Sq. Ft. : 69766  
 Safety Valve - Lbs/Hr. : 24000

---

Heating Surface - Sq. Ft.  
 Fireside - 3000  
 Firetubes  
 Number - 264  
 Diameter - 2.5" O.D.

---

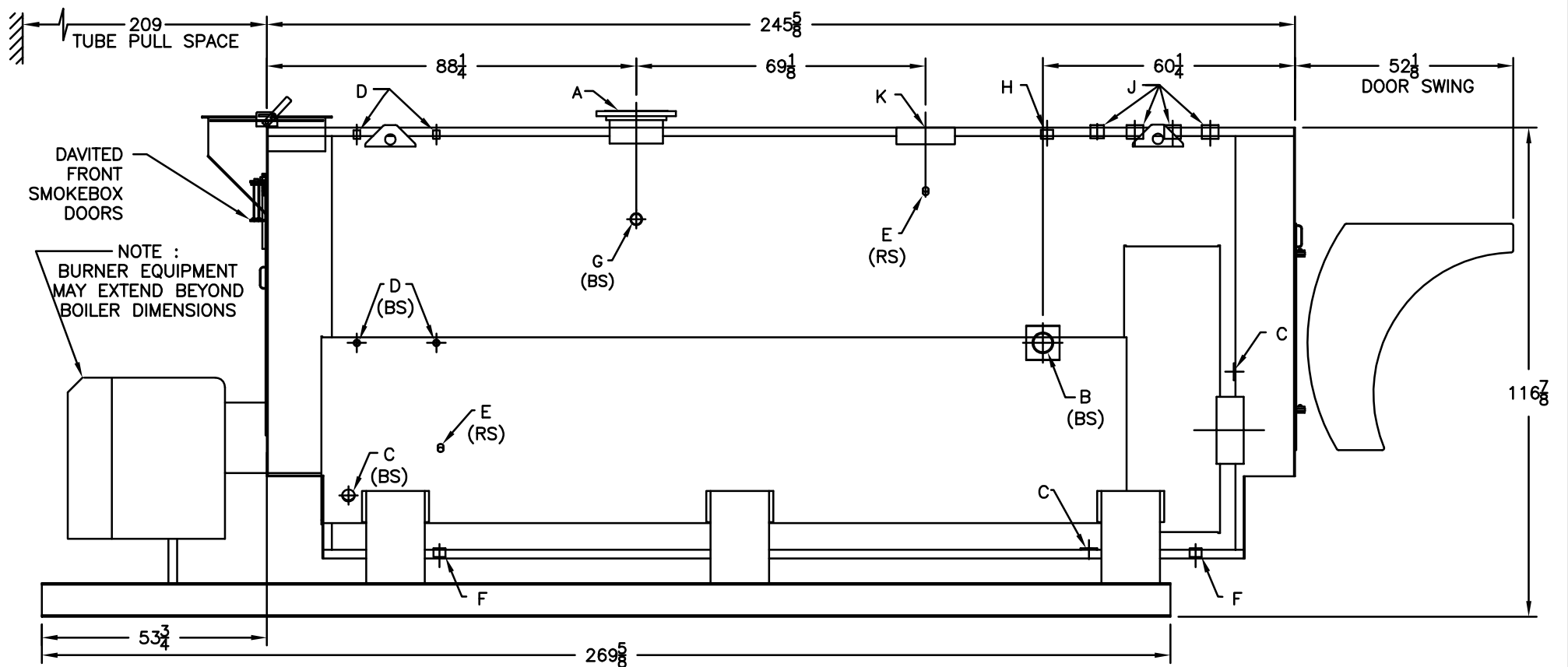
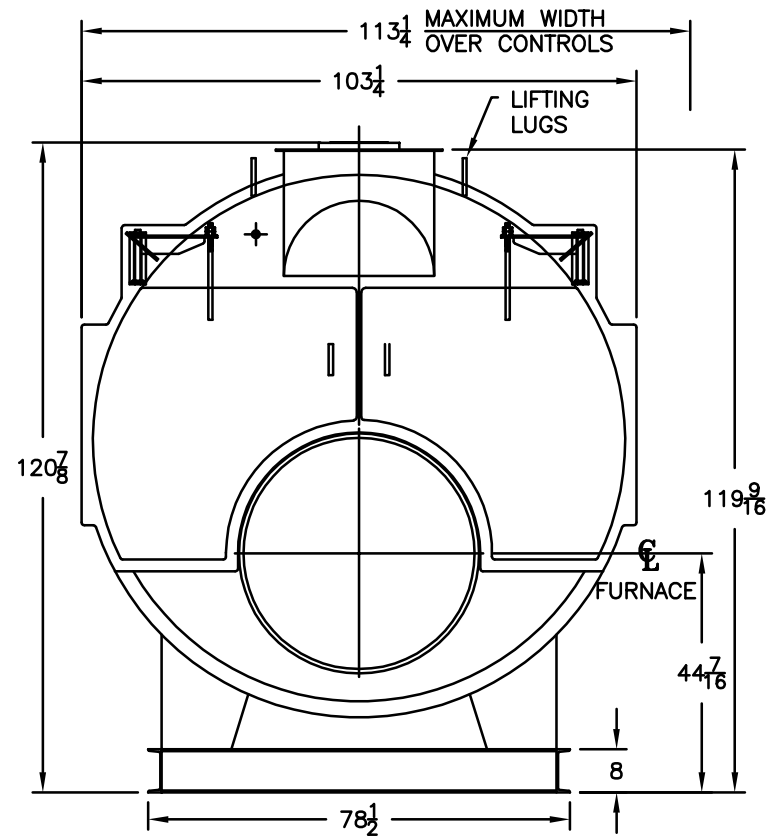
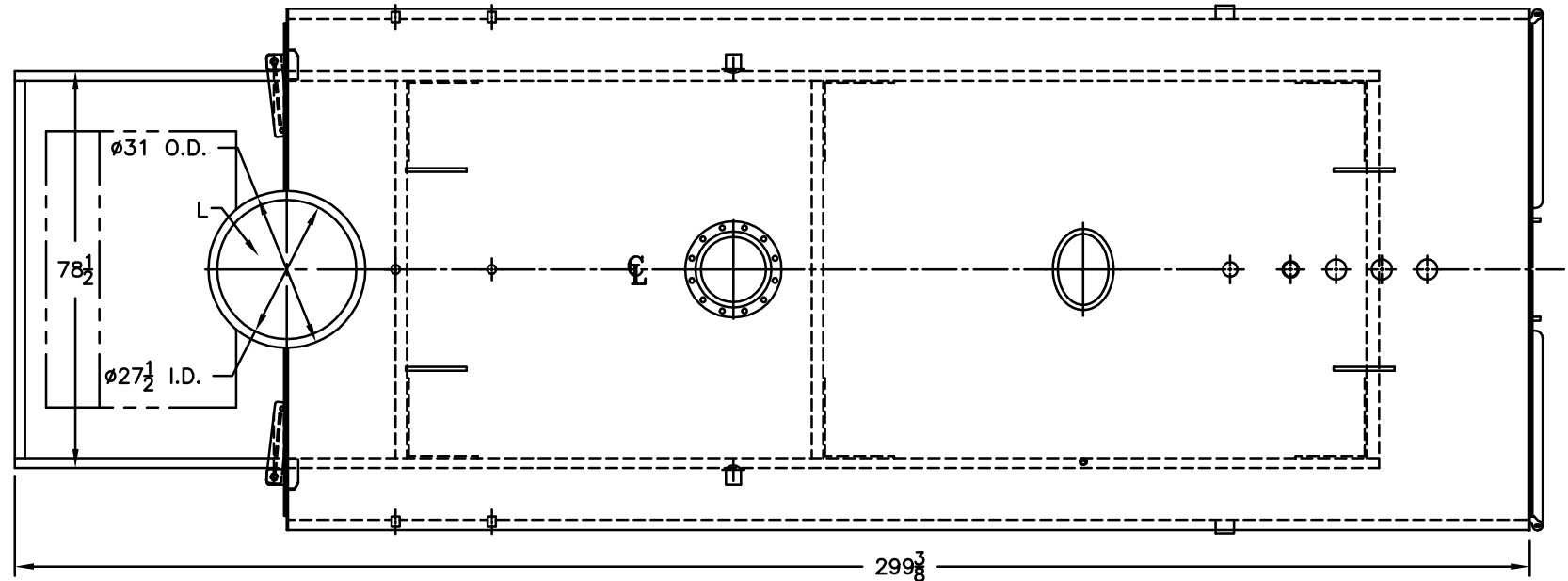
Firing Rate  
 1000 BTU Gas (MBH) - 25106  
 140000 BTU/Gal Oil (GPH) - 173.9  
 150000 BTU/Gal Oil (GPH) - 162.3

---

Water Content  
 Pounds - 27367  
 Gallons (U.S.) - 3281  
 Approximate Weight/LBS.  
 Dry - 34794  
 Wet - 62161

### LEGEND

BS = BOTH SIDES  
 RS = RIGHT SIDE



**MODEL 4SL-600**  
**644.2 BHP**  
**15 PSI STEAM**