

BURNHAM®

Commercial Boilers

RATINGS AND DATA

Shell Diameter : 108"
 Gross Output - BHP : 860
 Gross Output - MBH : 28789
 Gross Output - Lbs/Hr : 29670
 Net Rating - MBH : 22351
 Net Rating - Sq. Ft. : 93130
 Safety Valve - Lbs/Hr. : 32000

Heating Surface - Sq. Ft.
 Fireside - 4000
 Firetubes
 Number - 348
 Diameter - 2.5" O.D.

Firing Rate
 1000 BTU Gas (MBH) - 33475
 140000 BTU/Gal Oil (GPH) - 231.9
 150000 BTU/Gal Oil (GPH) - 216.4

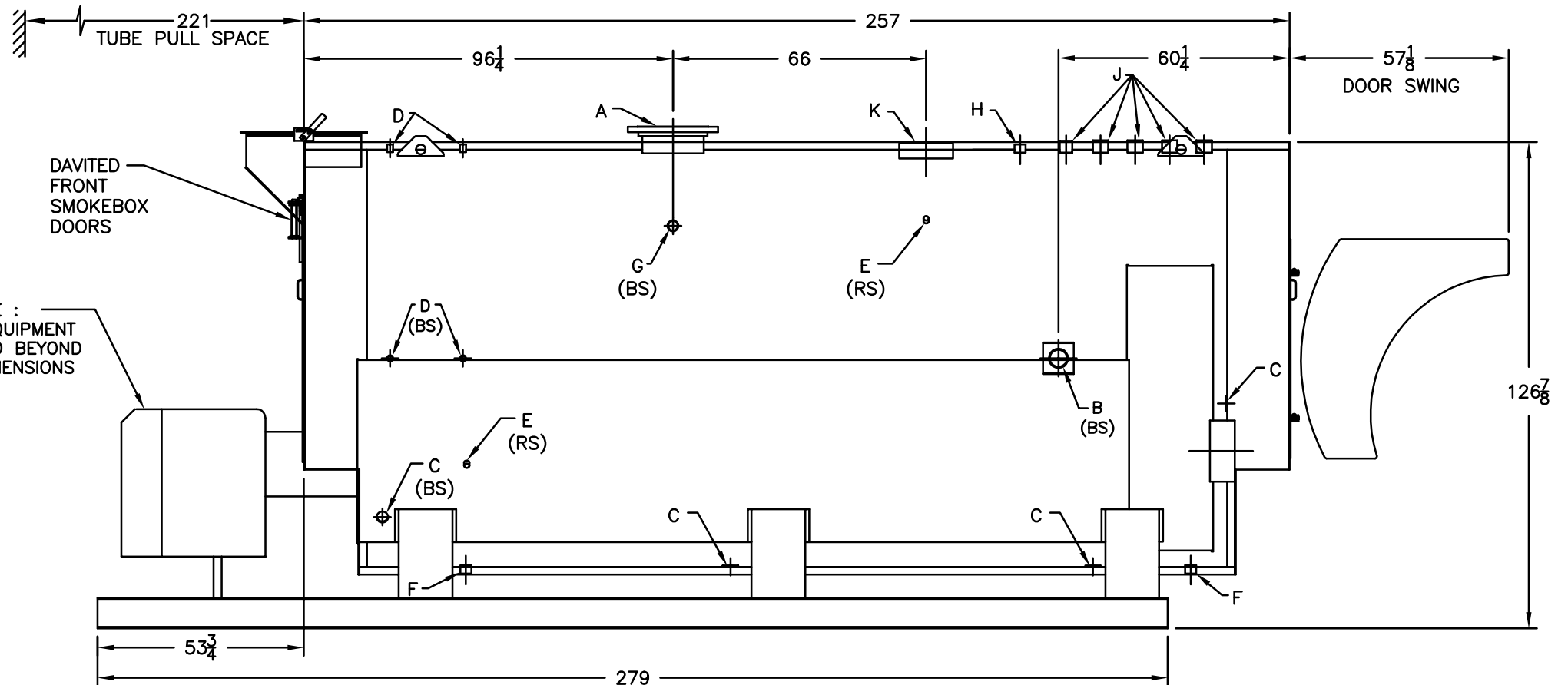
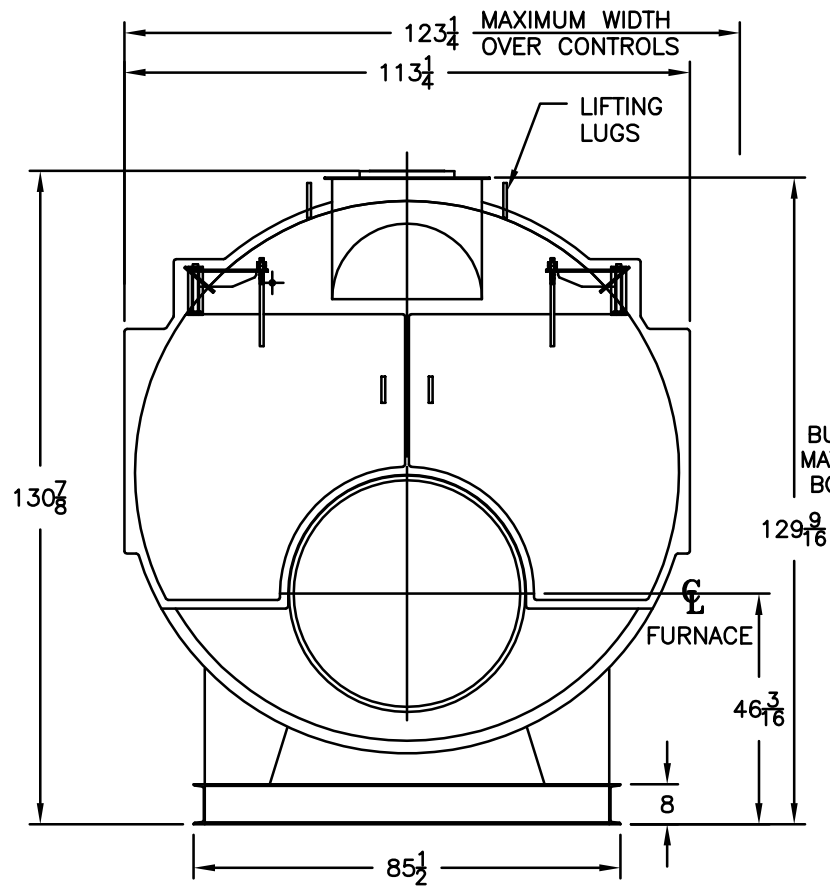
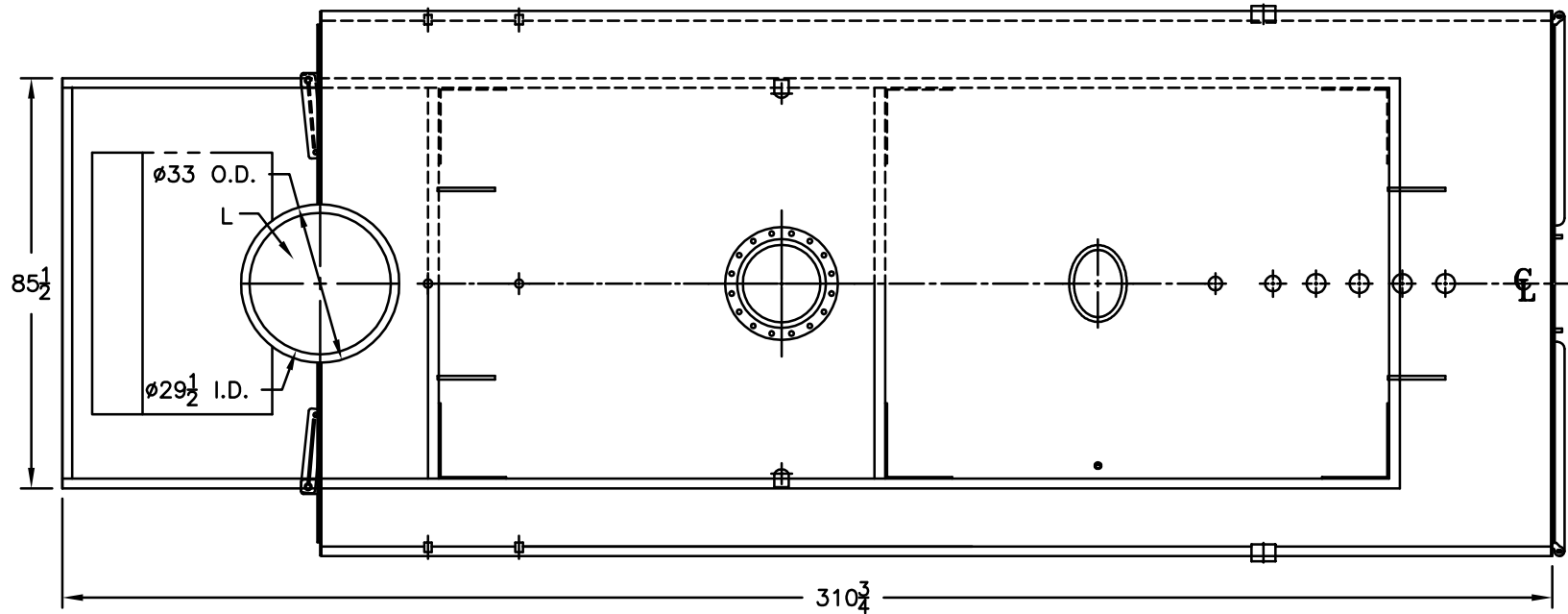
Water Content
 Pounds - 36516
 Gallons (U.S.) - 4378
 Dry - 44133
 Wet - 80650

LEGEND

BS = BOTH SIDES
 RS = RIGHT SIDE

LEGEND CONNECTIONS

- A = 16" FLANGED SUPPLY (150#)
- B = 4" RETURN
- C = 3" x 4" HANDHOLE
- D = 1" WATER COLUMN
- E = 3/4" AQUASTAT
- F = 2" BOTTOM BLOWDOWN
- G = 2" SURFACE BLOWOFF
- H = 2" AUXILIARY CONNECTION
- J = 3" SAFETY VALVE (4)
 2-1/2" SAFETY VALVE (1)
- K = 12" X 16" MANHOLE
- L = 30" NOMINAL FLUE DIAMETER



NOTE :
 BURNER EQUIPMENT
 MAY EXTEND BEYOND
 BOILER DIMENSIONS

MODEL 4SL-800
860 BHP
15 PSI STEAM

SPECIFICATIONS SUBJECT TO CHANGE WITHOUT NOTICE ALL CONNECTIONS ARE THREADED UNLESS OTHERWISE SPECIFIED
 THIS DOCUMENT CONTAINS CONFIDENTIAL INFORMATION WHICH IS THE PROPERTY OF BURNHAM COMMERCIAL. THIS DOCUMENT MAY NOT BE REPRODUCED, TRANSFERRED OR USED, OR ITS CONTENTS DISCLOSED, WITHOUT THE WRITTEN PERMISSION OF THE OWNER.