

# BURNHAM®

## Commercial Boilers

### RATINGS AND DATA

Shell Diameter : 98"  
 Gross Output - BHP : 600  
 Gross Output - MBH : 20085  
 Gross Output - Lbs/Hr : 20700  
 Net Rating - MBH : 16071  
 Net Rating - Sq. Ft. : 66963  
 Safety Valve - Lbs/Hr. : 23431

Heating Surface - Sq. Ft.  
 Fireside - 3000  
 Firetubes  
 Number - 264  
 Diameter - 2.5" O.D.

Firing Rate  
 1000 BTU Gas (MBH) - 25106  
 140000 BTU/Gal Oil (GPH) - 173.9  
 150000 BTU/Gal Oil (GPH) - 162.3

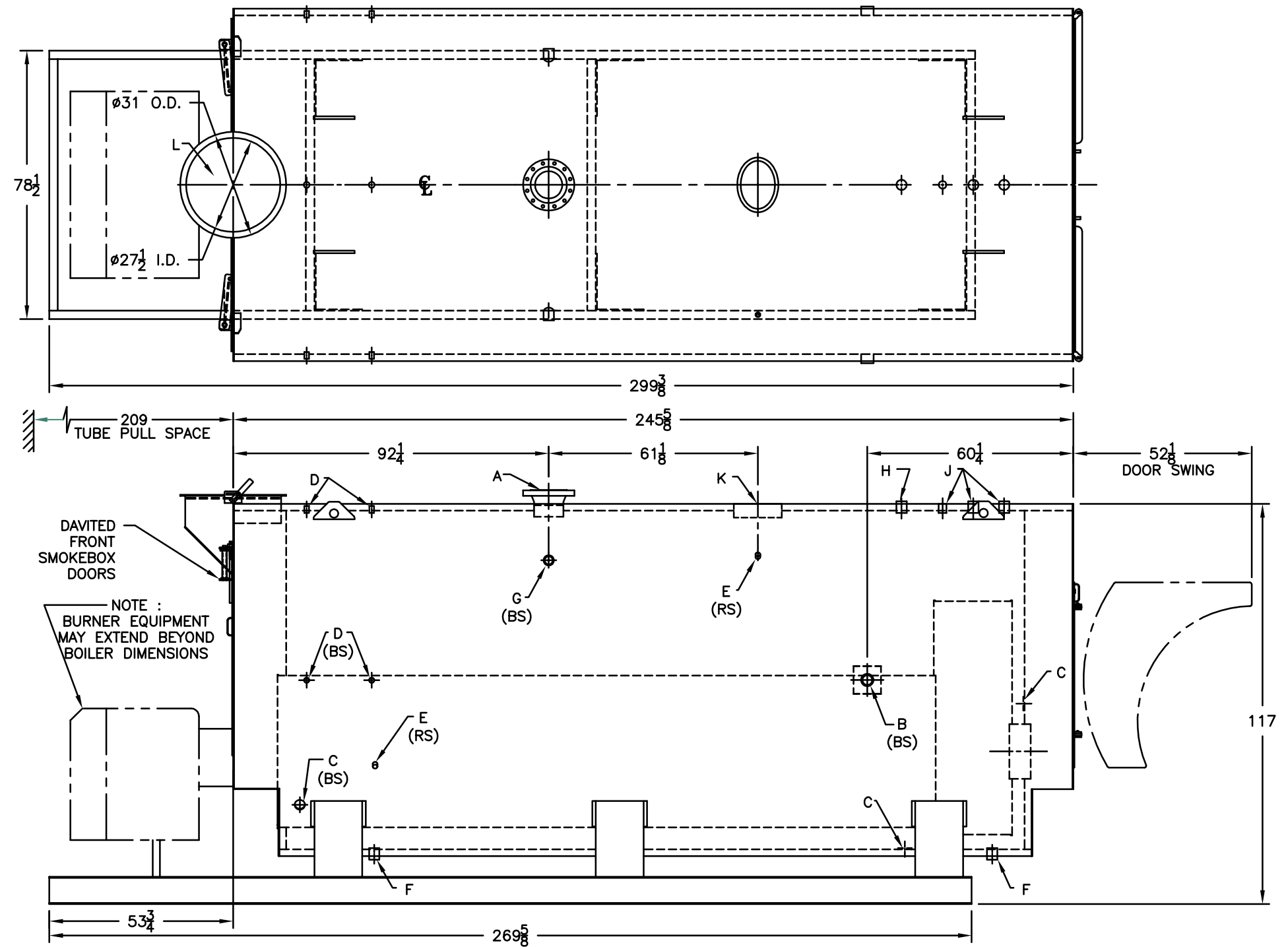
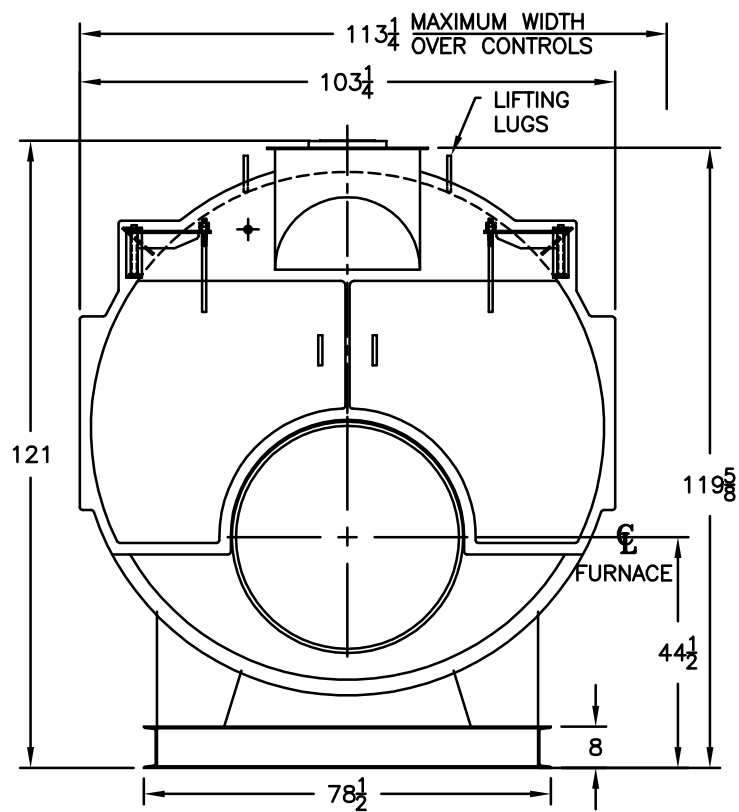
Water Content  
 Pounds - 28319  
 Gallons (U.S.) - 3395  
 Approximate Weight/LBS.  
 Dry - 39641  
 Wet - 67690

### LEGEND CONNECTIONS

- A = 8" FLANGED SUPPLY (300#)
- B = 2-1/2" RETURN
- C = 3" x 4" HANDHOLE
- D = 1" WATER COLUMN
- E = 3/4" AQUASTAT
- F = 2" BOTTOM BLOWDOWN
- G = 2" SURFACE BLOWOFF
- H = 2" AUXILIARY CONNECTION
- J = 1-1/2" SAFETY VALVE  
2" SAFETY VALVE (2)
- K = 12" X 16" MANHOLE
- L = 28" NOMINAL FLUE DIAMETER

### LEGEND

BS = BOTH SIDES  
 RS = RIGHT SIDE



SPECIFICATIONS SUBJECT TO CHANGE WITHOUT NOTICE ALL CONNECTIONS ARE THREADED UNLESS OTHERWISE SPECIFIED  
 THIS DOCUMENT CONTAINS CONFIDENTIAL INFORMATION WHICH IS THE PROPERTY OF BURNHAM COMMERCIAL. THIS DOCUMENT MAY NOT BE REPRODUCED, TRANSFERRED OR USED, OR ITS CONTENTS DISCLOSED, WITHOUT THE WRITTEN PERMISSION OF THE OWNER.

**MODEL 4SP-600**  
**600 BHP**  
**150 PSI STEAM**