

BURNHAM®

Commercial Boilers

RATINGS AND DATA

Shell Diameter : 62"
 Gross Output - BHP : 133
 Gross Output - MBH : 4451
 Net Rating - MBH : 3870
 Safety Valve - Lbs/Hr. : 5000

Heating Surface - Sq. Ft.
 Fireside - 625
 Firetubes
 Number - 86
 Diameter - 2.5" O.D.

Firing Rate
 1000 BTU Gas (MBH) - 5230
 140000 BTU/Gal Oil (GPH) - 36.2
 150000 BTU/Gal Oil (GPH) - 33.8

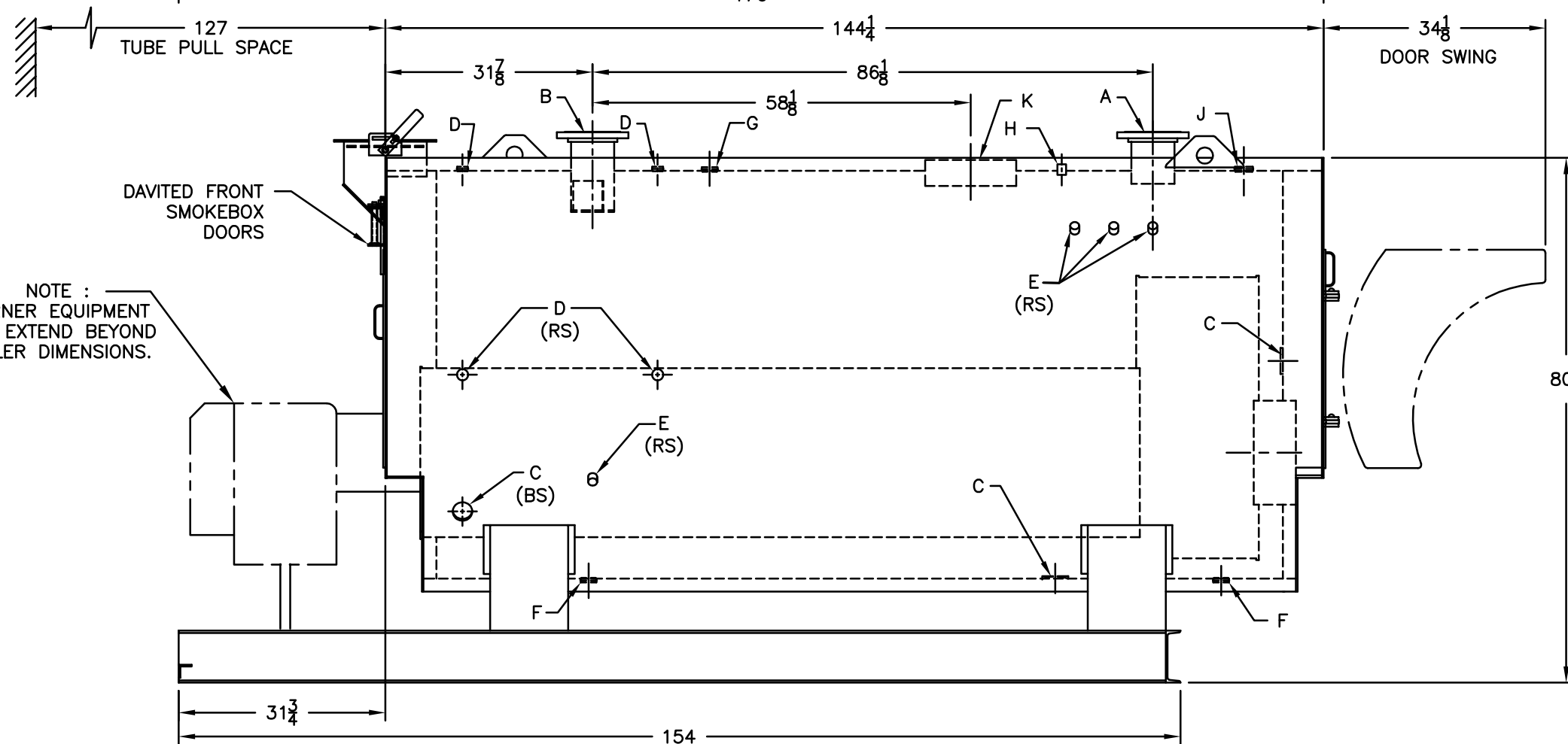
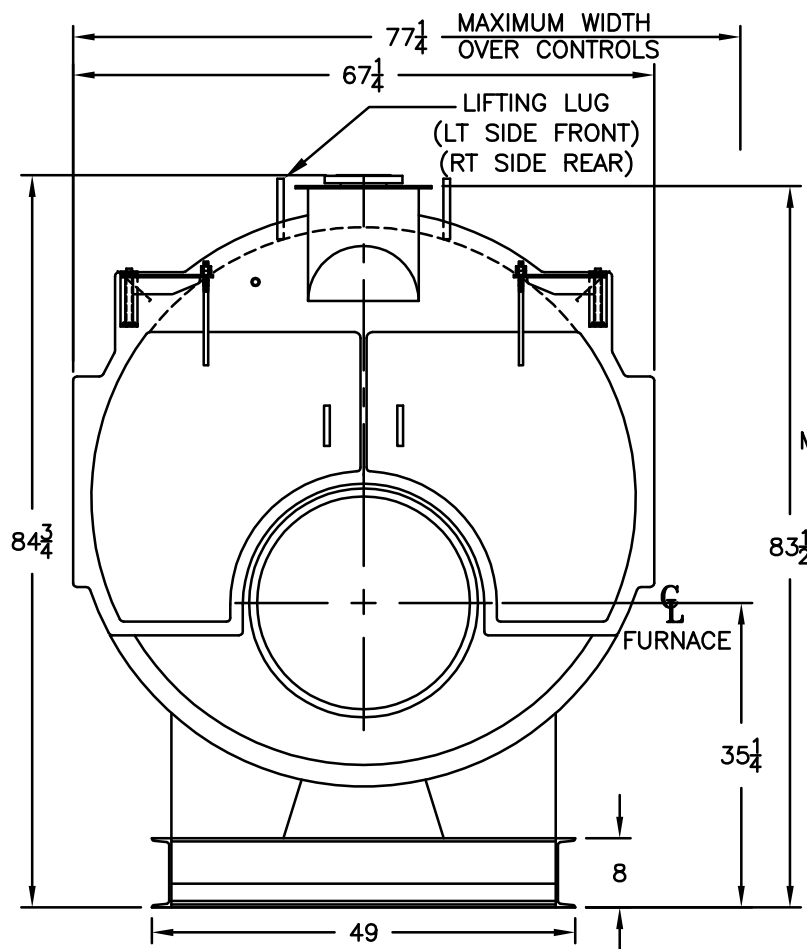
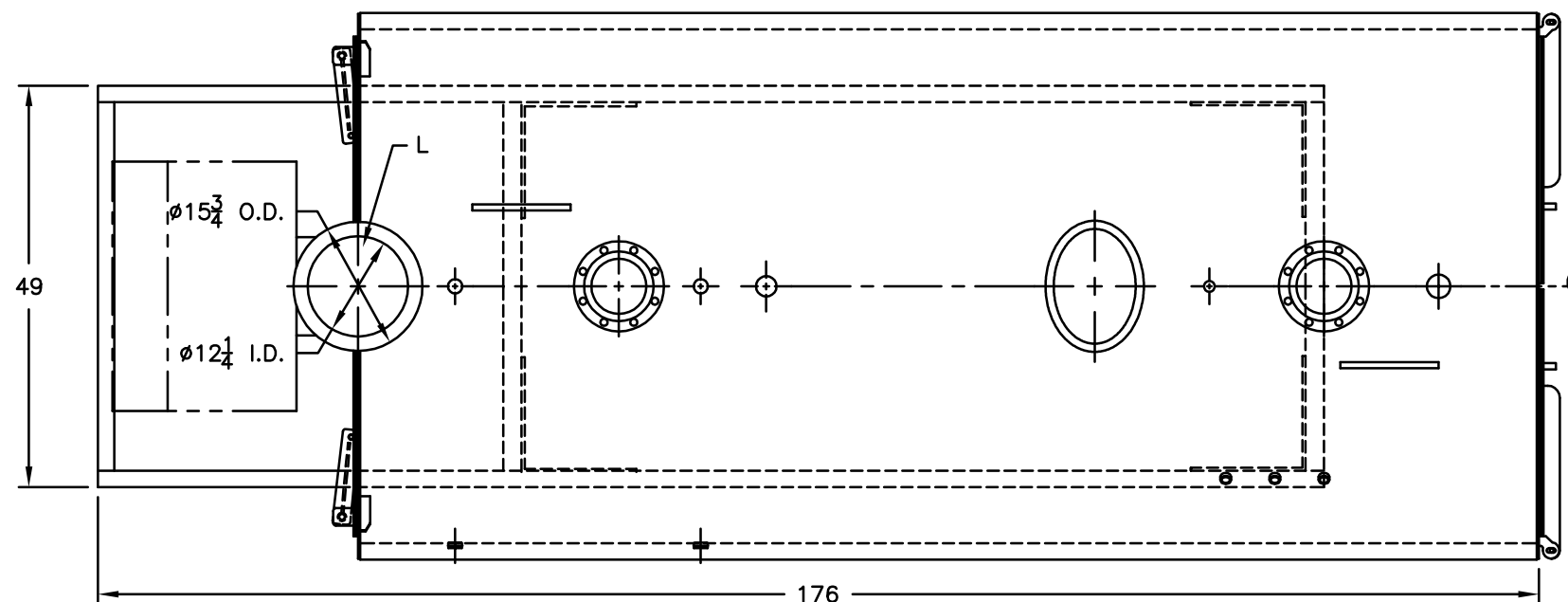
Water Content
 Pounds - 9233
 Gallons (U.S.) - 1107
 Approximate Weight/LBS.
 Dry - 9647
 Wet - 18880

LEGEND CONNECTIONS

- A = 6" FLANGED SUPPLY (150#)
- B = 6" FLANGED RETURN (150#)
- C = 3" x 4" HANDHOLE
- D = 1" WATER COLUMN
- E = 3/4" AQUASTAT
- F = 1-1/2" BOTTOM DRAIN
- G = 1-1/2" AUXILIARY
- H = 3/4" GAUGE CONNECTION
- J = 2" RELIEF VALVE
- K = 12" X 16" MANHOLE
- L = 12" NOMINAL FLUE DIAMETER

LEGEND

- BS = BOTH SIDES
- RS = RIGHT SIDE



MODEL 4SW-125
133 BHP
30 PSI WATER

SPECIFICATIONS SUBJECT TO CHANGE WITHOUT NOTICE ALL CONNECTIONS ARE THREADED UNLESS OTHERWISE SPECIFIED
 THIS DOCUMENT CONTAINS CONFIDENTIAL INFORMATION WHICH IS THE PROPERTY OF BURNHAM COMMERCIAL. THIS DOCUMENT MAY NOT BE REPRODUCED, TRANSFERRED OR USED, OR ITS CONTENTS DISCLOSED, WITHOUT THE WRITTEN PERMISSION OF THE OWNER.