

BURNHAM®

Commercial Boilers

RATINGS AND DATA

Shell Diameter : 80"
 Gross Output - BHP : 266.6
 Gross Output - MBH : 8923
 Net Rating - MBH : 7759
 Safety Valve - Lbs/Hr. : 10000

Heating Surface - Sq. Ft.
 Fireside - 1250
 Firetubes
 Number - 164
 Diameter - 2.5" O.D.

Firing Rate
 1000 BTU Gas (MBH) - 10461
 140000 BTU/Gal Oil (GPH) - 72.3
 150000 BTU/Gal Oil (GPH) - 67.5

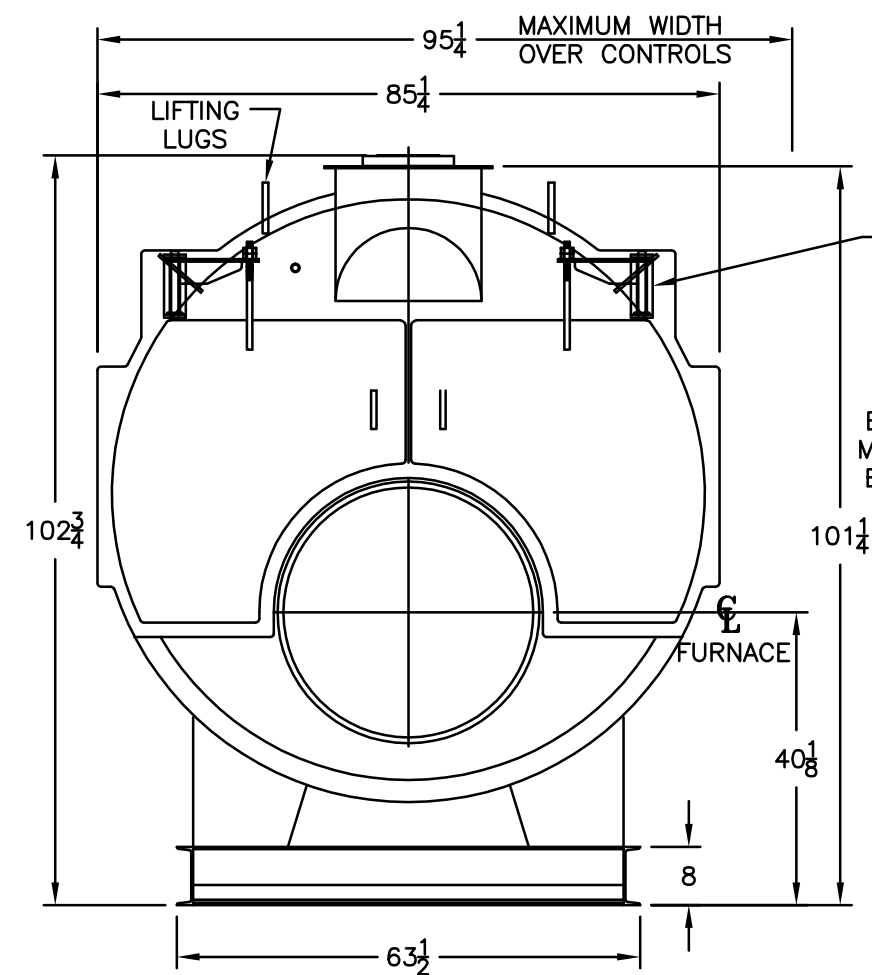
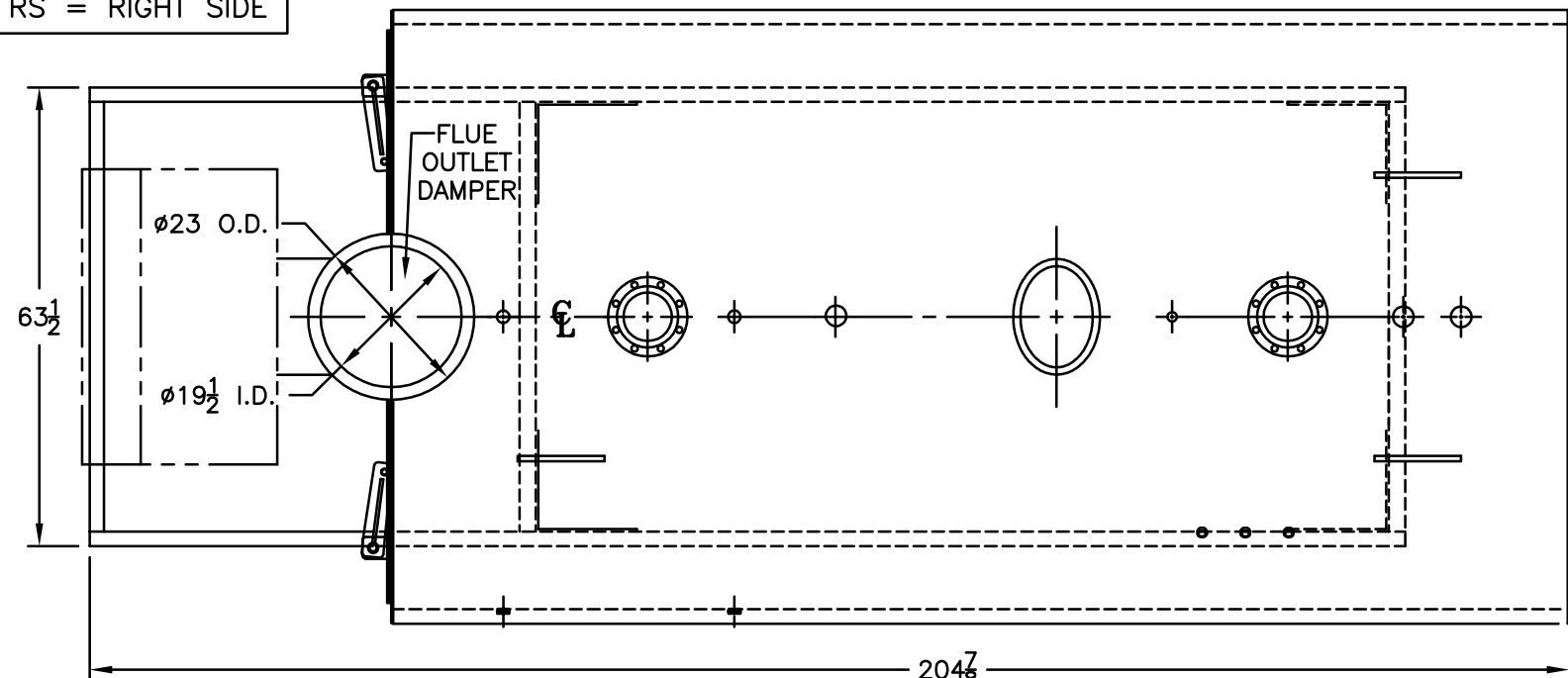
Water Content
 Pounds - 15900
 Gallons (U.S.) - 1906
 Approximate Weight/LBS.
 Dry - 15800
 Wet - 31700

LEGEND CONNECTIONS

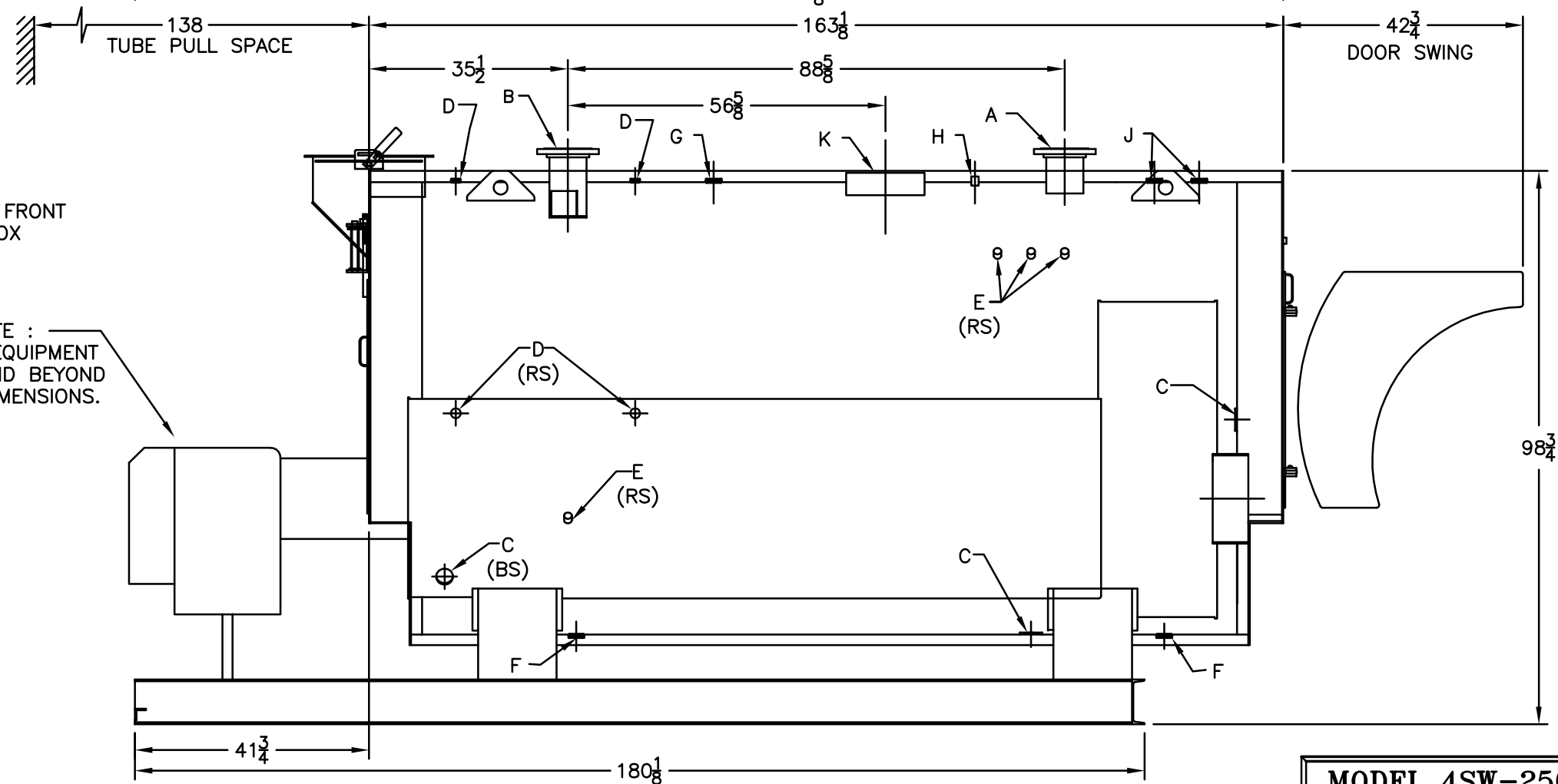
- A = 6" FLANGED SUPPLY (150#)
- B = 6" FLANGED RETURN (150#)
- C = 3" x 4" HANDHOLE
- D = 1" WATER COLUMN
- E = 3/4" AQUASTAT
- F = 2" BOTTOM DRAIN
- G = 2" EXPANSION TANK
- H = 3/4" GAUGE CONNECTION
- J = 2" RELIEF VALVE (2)
- K = 12" X 16" MANHOLE

LEGEND

BS = BOTH SIDES
 RS = RIGHT SIDE



NOTE :
 BURNER EQUIPMENT
 MAY EXTEND BEYOND
 BOILER DIMENSIONS.



SPECIFICATIONS SUBJECT TO CHANGE WITHOUT NOTICE
 ALL CONNECTIONS ARE THREADED UNLESS OTHERWISE SPECIFIED

MODEL 4SW-250
266.6 BHP
30 PSI WATER