

BURNHAM®

Commercial Boilers

RATINGS AND DATA

Shell Diameter : 88"
 Gross Output - BHP : 375.8
 Gross Output - MBH : 12580
 Net Rating - MBH : 10939
 Safety Valve - Lbs/Hr. : 14000

Heating Surface - Sq. Ft.
 Fireside - 1750
 Firetubes
 Number - 200
 Diameter - 2.5" O.D.

Firing Rate
 1000 BTU Gas (MBH) - 14645
 140000 BTU/Gal Oil (GPH) - 101.4
 150000 BTU/Gal Oil (GPH) - 94.6

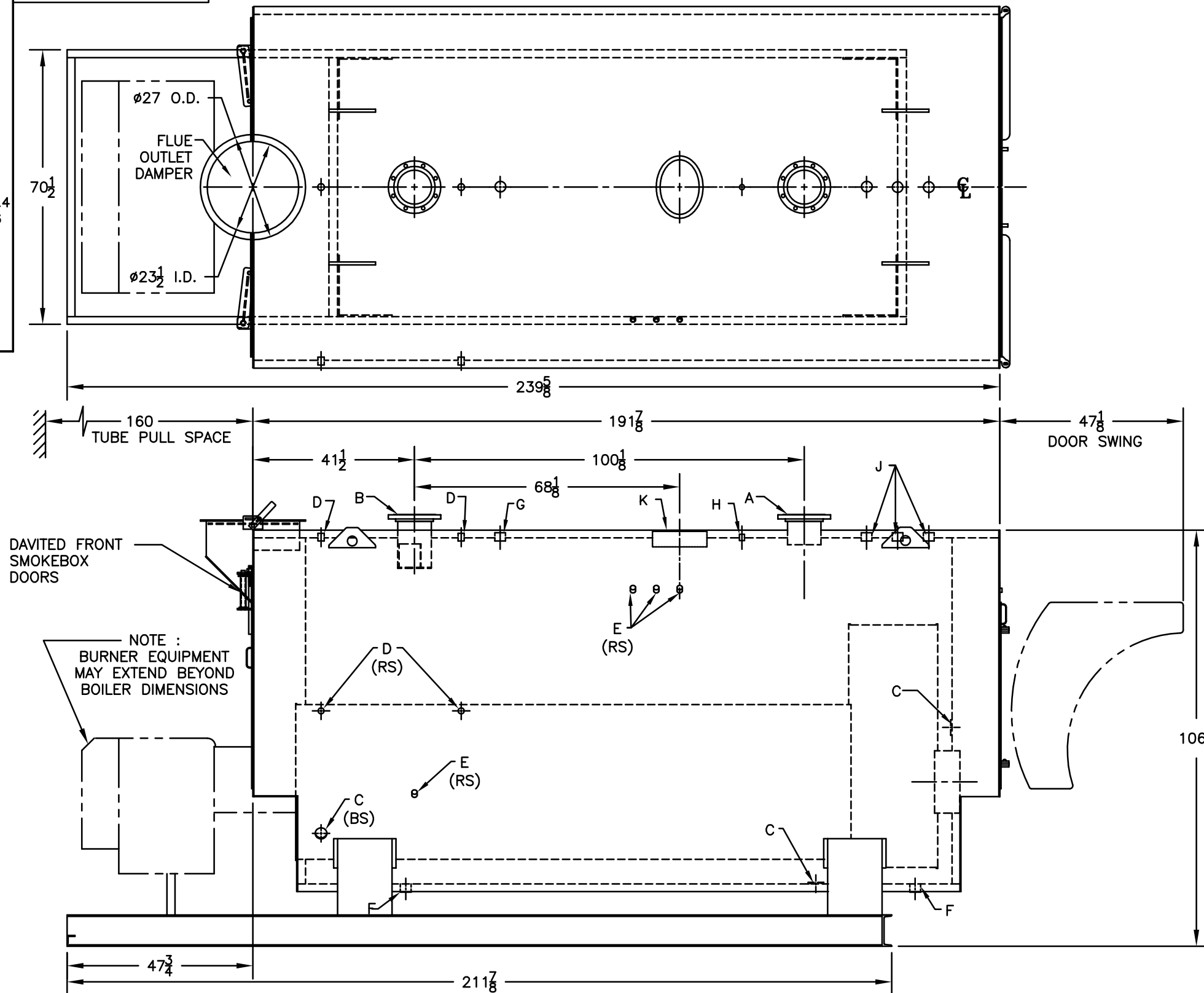
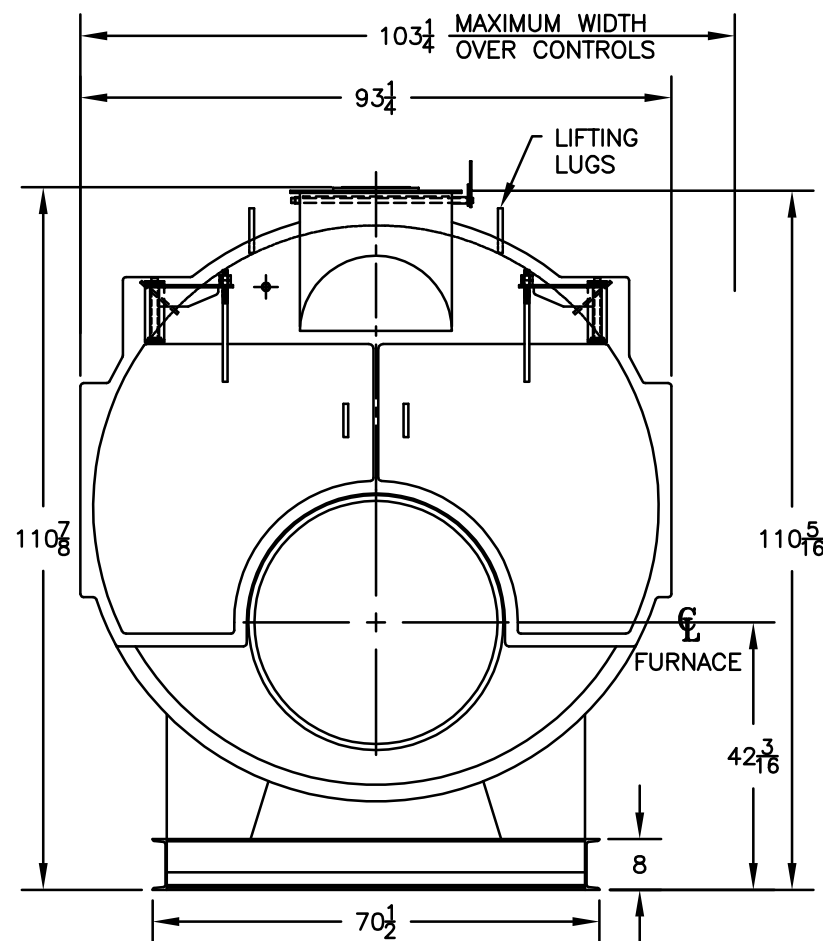
Water Content
 Pounds - 22165
 Gallons (U.S.) - 2657
 Approximate Weight/LBS.
 Dry - 23126
 Wet - 45291

LEGEND CONNECTIONS

- A = 8" FLANGED SUPPLY (150#)
- B = 8" FLANGED RETURN (150#)
- C = 3" x 4" HANDHOLE
- D = 1" WATER COLUMN
- E = 3/4" AQUASTAT
- F = 2" BOTTOM DRAIN
- G = 2" AUXILIARY
- H = 3/4" GAUGE CONNECTION
- J = 2" RELIEF VALVE (3)
- K = 12" X 16" MANHOLE

LEGEND

- BS = BOTH SIDES
- RS = RIGHT SIDE



SPECIFICATIONS SUBJECT TO CHANGE WITHOUT NOTICE ALL CONNECTIONS ARE THREADED UNLESS OTHERWISE SPECIFIED

THIS DOCUMENT CONTAINS CONFIDENTIAL INFORMATION WHICH IS THE PROPERTY OF BURNHAM COMMERCIAL. THIS DOCUMENT MAY NOT BE REPRODUCED, TRANSFERRED OR USED, OR ITS CONTENTS DISCLOSED, WITHOUT THE WRITTEN PERMISSION OF THE OWNER.

MODEL 4SW-350
375.8 BHP
30 PSI WATER