

BURNHAM®

Commercial Boilers

RATINGS AND DATA

Shell Diameter : 98"
 Gross Output - BHP : 538.1
 Gross Output - MBH : 18014
 Net Rating - MBH : 15664
 Safety Valve - Lbs/Hr. : 20000

Heating Surface - Sq. Ft.
 Fireside - 2500
 Firetubes
 Number - 264
 Diameter - 2.5" O.D.

Firing Rate
 1000 BTU Gas (MBH) - 20922
 140000 BTU/Gal Oil (GPH) - 144.9
 150000 BTU/Gal Oil (GPH) - 135.2

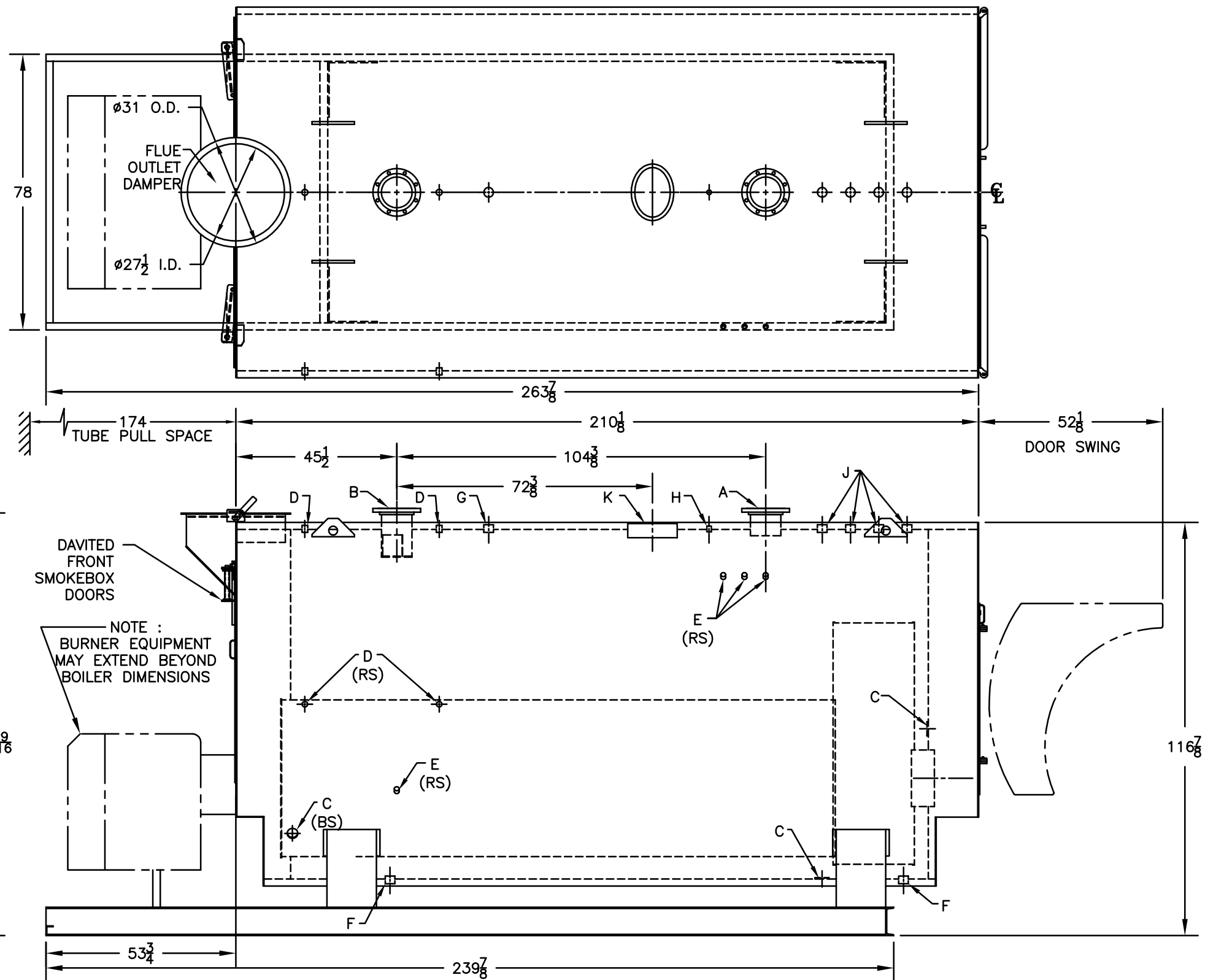
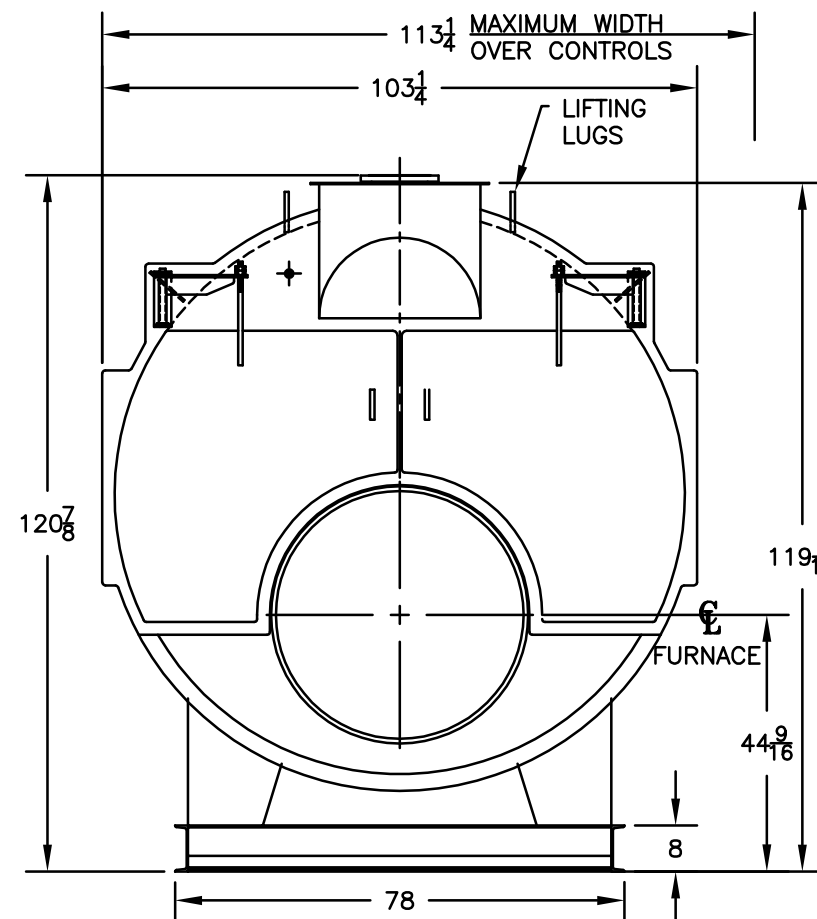
Water Content
 Pounds - 29500
 Gallons (U.S.) - 3536
 Approximate Weight/LBS.
 Dry - 28900
 Wet - 58400

LEGEND CONNECTIONS

- A = 8" FLANGED SUPPLY (150#)
- B = 8" FLANGED RETURN (150#)
- C = 3" x 4" HANDHOLE
- D = 1" WATER COLUMN
- E = 3/4" AQUASTAT
- F = 2" BOTTOM DRAIN
- G = 2" EXPANSION TANK
- H = 3/4" GAUGE CONNECTION
- J = 2" RELIEF VALVE (4)
- K = 12" X 16" MANHOLE

LEGEND

- BS = BOTH SIDES
- RS = RIGHT SIDE



SPECIFICATIONS SUBJECT TO CHANGE WITHOUT NOTICE
 ALL CONNECTIONS ARE THREADED UNLESS OTHERWISE SPECIFIED

MODEL 4SW-500
538.1 BHP
30 PSI WATER