



Apex™ Submittal Data Sheet

Job Name:
 Location:
 Date:
 Engineer:
 Purchaser:
 Submitted to:
 Model Designation

Check one: Reference (not for production)
 Approved (for immediate production)
 Approved with changes as noted (for immediate production)

Ratings

| Model Number | Maximum Input (MBH) | Minimum Input (MBH) | Gross Output | I-B-R Net Rating (MBH) | Combustion Efficiency | Standard Vent Size/Material | Standard Intake Size/Material | Approximate Shipping Weight (LBS) |
|--------------|---------------------|---------------------|--------------|------------------------|-----------------------|-----------------------------|-------------------------------|-----------------------------------|
| APX399 | 399 | 80 | 377 | 328 | 95% | 4" CPVC | 4" PVC | 304 |
| APX500 | 500 | 100 | 475 | 413 | 95% | 4" CPVC | 4" PVC | 350 |

Standard Equipment

Coiled stainless steel heat exchanger
 Stainless steel mesh burner
 Variable speed blower
 Negative reduction gas valve
 Supply & return temperature sensors
 Flue gas temperature sensor
 Outdoor air temperature sensor
 Line-voltage junction box
 Polypropylene condensate trap (patented)
 Pressure relief valve
 Rear flue outlet

PVC Vent Kit, including:

30 inches CPVC termination vent
 90° Elbow
 (2) Vent terminals with rodent screens

ABC2.1™ Apex Boiler Control,

including:

Slide out control drawer
 Multiple-boiler lead lag control
 Domestic Water Priority (0-10 vDC input)

Optional Equipment – Check as needed

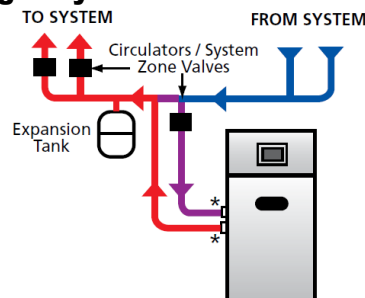
CSD-1 Controls, including:

- L4006E Manual reset high limit
- 750P-MT Manual reset low water cut-off
- High & Low gas pressure switches

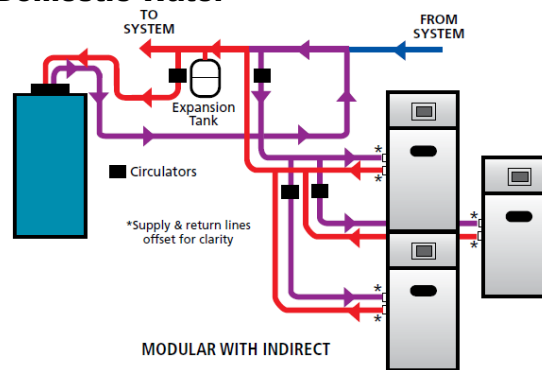
Voltage

120/60/1 (Single-point power)

Recommended Piping Configuration Single or Multiple Zones – Space Heating Only



Multiple Boilers Space Heating and Domestic Water



Notes:



| Dimension | Boiler Model | |
|---|---|--------------------|
| | APX399 | APX500 |
| A - Inch (mm) | 28-7/8 (734) | 44-7/8 (1140) |
| B - Inch (mm) | 6-3/16 (157) | 22-1/8 (562) |
| C - Inch (mm) | 13-1/16 (332) | 29 (737) |
| D - Inch (mm) | 23-3/4 (602) | 39-11/16 (1008) |
| E - Inch (mm) | 15-13/16 (402) | 29-3/8 (752) |
| Gas Inlet F (FPT) | 3/4" | 3/4" |
| Return G (FPT) | 1-1/2" | |
| Supply H (FPT) | 1-1/2" | |
| Condensate Drain J | Factory Provided Socket End Compression Pipe Joining Clamp for 3/4" Schedule 40 PVC Pipe | |
| Boiler Two-Pipe CPVC/PVC Vent Connector (Figures 1A, 1B) - Inch | 4 x 4 | |
| Approx. Shipping Weight (LBS) | 304 | 350 |

