

Bypass & Shot Feed Systems

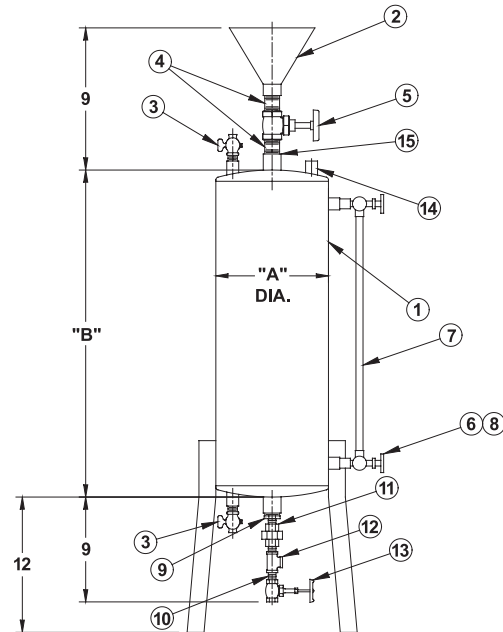
For Applications Requiring Bulk Feeding of Chemicals to Pressure System

Bypass Chemical Feeders

- Bypass chemical feeders include: tank, gauge glass, control and sample valves and funnel.
- Used in applications where a continuous supply of chemical is needed in a closed loop or low make-up system.
- Flow adjustments of chemicals are made manually with the flow regulator.



BYPASS CHEMICAL FEEDER



Item	Description	Qty.
1	Tank	1
2	Funnel	1
3	Petcocks	2
4	1" Pipe Nipple	2
5	1" Valve	2
6	Gauge Valve	2
7	Sight Glass	1
8	Glass Guards	2
9	1" x 3/8" Reducer Bushing	1
10	3/8" Pipe Nipple	3
11	3/8" Union	1
12	Flow Control Valve	1
13	3/8" Valve	1
14	1/2" Coupling	3
15	1" Coupling	2

DIMENSIONS IN INCHES		
Tank Size Gallons	A Dia.	B Lht.
1	6	10
1-1/2	6	12
2	8	10
2-1/2	8	12
5	10	15
10	10	29
18	14	32
25	18	28

NOTE: 5 gallon and larger feeders have 12" legs. All dimensions are approximate.

Bypass & Shot Feed Systems

For Applications Requiring Bulk Feeding of Chemicals to Pressure System

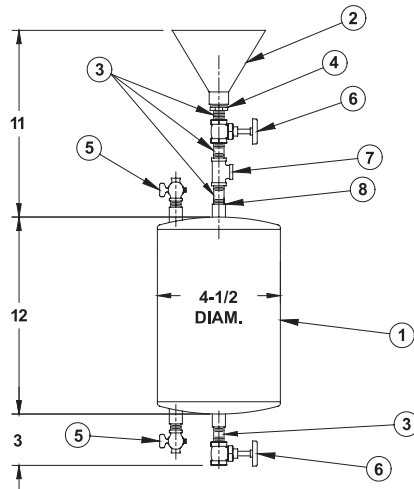
Shot Feeders

- Shot feeders include: tank, sample valve and funnel.
- Used to add a slug of chemicals into a low make-up or closed loop systems.
- Shot feeders are constructed of steel and have a rated working pressure of 125 psig.



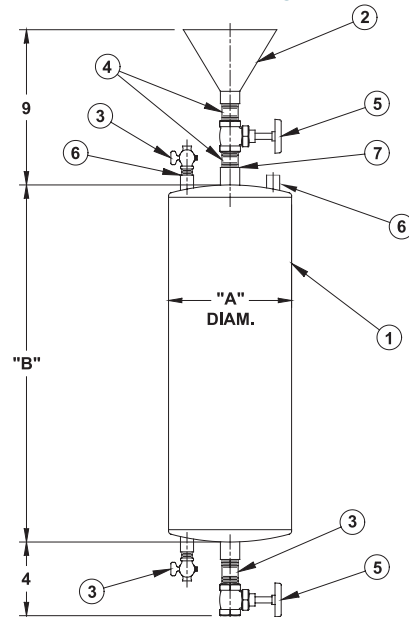
SHOT FEEDERS

Shot Feeder—3/4 Gallon



Item	Description	Qty.
1	Tank	1
2	Funnel	1
3	1/2" Pipe Nipple	4
4	1" x 1/2" Reducer Bushing	1
5	Petcocks	2
6	1/2" Valve	2
7	1/2" Tee	1
8	1/2" Coupling	4

Shot Feeder—1 through 25 Gallon



Item	Description	Qty.
1	Tank	1
2	Funnel	1
3	1/2" Pipe Nipple	3
4	Petcocks	2
5	1" Valve	2
6	1/2" Coupling	3
7	1" Coupling	2

DIMENSIONS IN INCHES

Tank Size Gallons	A Dia.	B Lht.
1	6	10
1-1/2	6	12
2	8	10
2-1/2	8	12
5	10	15
10	10	29
18	14	32
25	18	28

NOTE: All dimensions are approximate.
All dimensions are in inches