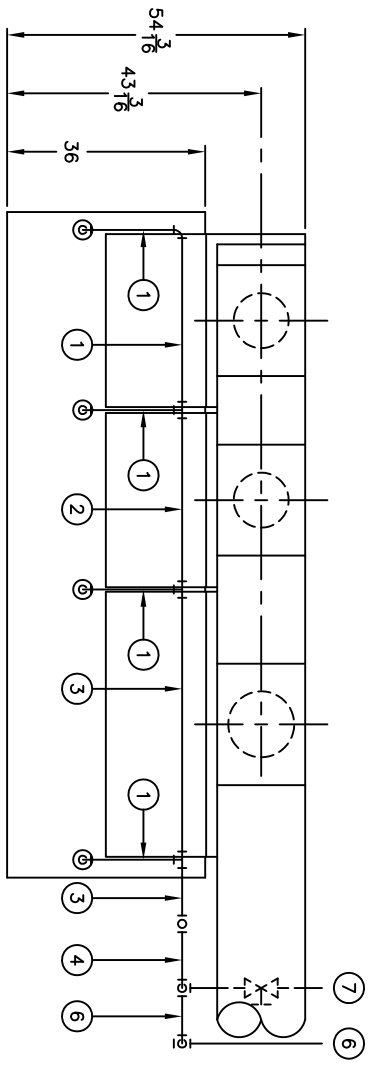
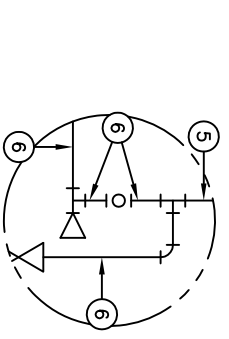
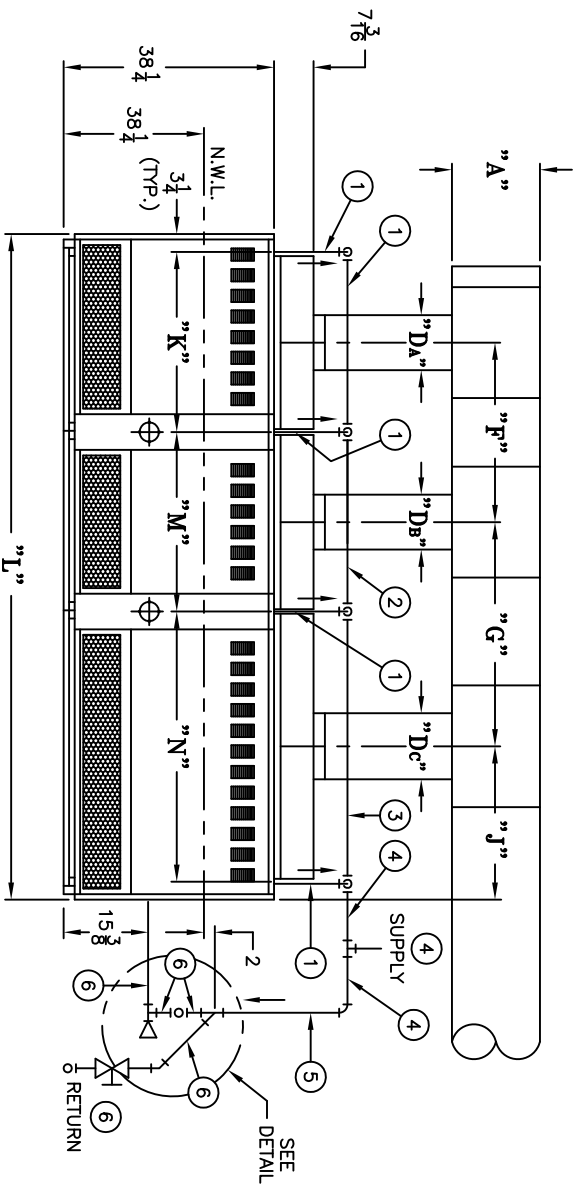


BOILER MODEL	"A"	"D <sub>A</sub> "	"D <sub>B</sub> "	"D <sub>C</sub> "	"F"	"G"	"J"	"K"	"L"	"M"	"N"	RISER							HEADER							EQUALIZER							RETURN							MAKE-UP WATER						
												1	2	3	4	5	6	7	1	2	3	4	5	6	7	1	2	3	4	5	6	7	1	2	3	4	5	6	7	1	2	3	4	5	6	7
5021	16"	9"	10"	10"	12"	29 <sup>7</sup> / <sub>8</sub> "	40 <sup>3</sup> / <sub>4</sub> "	27 <sup>7</sup> / <sub>8</sub> "	27 <sup>3</sup> / <sub>8</sub> "	115 <sup>1</sup> / <sub>2</sub> "	32 <sup>5</sup> / <sub>8</sub> "	49 <sup>1</sup> / <sub>8</sub> "	3"	4"	5"	6"	2 <sup>1</sup> / <sub>2</sub> "	2"	1 <sup>1</sup> / <sub>2</sub> "																											
5022	16"	10"	10"	12"	32 <sup>5</sup> / <sub>8</sub> "	40 <sup>3</sup> / <sub>4</sub> "	27 <sup>7</sup> / <sub>8</sub> "	32 <sup>3</sup> / <sub>4</sub> "	121"	32 <sup>5</sup> / <sub>8</sub> "	49 <sup>1</sup> / <sub>8</sub> "	3"	4"	5"	6"	2 <sup>1</sup> / <sub>2</sub> "	2"	1 <sup>1</sup> / <sub>2</sub> "																												

PLAN VIEW



ELEVATION VIEW



HARTFORD LOOP  
RETURN CONNECTION  
ALTERNATE PIPING DETAIL

- 1.) ALL PIPING IS SCHEDULE 40.
- 2.) PIPING AT REAR OF BOILER SHOULD NOT INTERFERE WITH REMOVAL OF UPPER REAR PANELS FOR ACCESS TO FUEWAYS FOR CLEANING. THESE SCHEMATIC DRAWINGS ARE INTENDED SOLELY TO SHOW RECOMMENDED TAPPING LOCATIONS AND GENERAL PIPING ARRANGEMENTS. ACTUAL PIPING DETAILS SHOULD BE DESIGNED IN ACCORDANCE WITH STANDARD ENGINEERING PRACTICES.
- 3.) (3) SUPPLY CONNECTIONS AND (2) RETURN CONNECTIONS FOR SIZE 5021 AND 5022.

THIS DRAWING DEPICTS A GENERAL LAYOUT OF THE COMPONENTS (NOT NECESSARILY ALL INCLUSIVE) USED FOR A TYPICAL APPLICATION. THE PROPER SIZING, SELECTION, LOCATION AND INSTALLATION OF ALL COMPONENTS ARE THE RESPONSIBILITY OF THE DESIGNER OR INSTALLER.

**Burnham**  
HYDRAONICS DIVISION  
LANCASTER, PA. 17601-3576

DRAWING TITLE  
MINIMUM PIPING RECOMMENDATIONS  
SINGLE/STEAM  
5021 AND 5022

PART NO.(S)  
DWG. DATE  
10/05/00

AE-5B-0167  
DRAWING NO.

DRAWN TOS.	CHECKED DWO	DESIGNED DWO	APPROVED DWO	RELEASED	DWG. SCALE	REV. LEVEL
---------------	----------------	-----------------	-----------------	----------	------------	------------