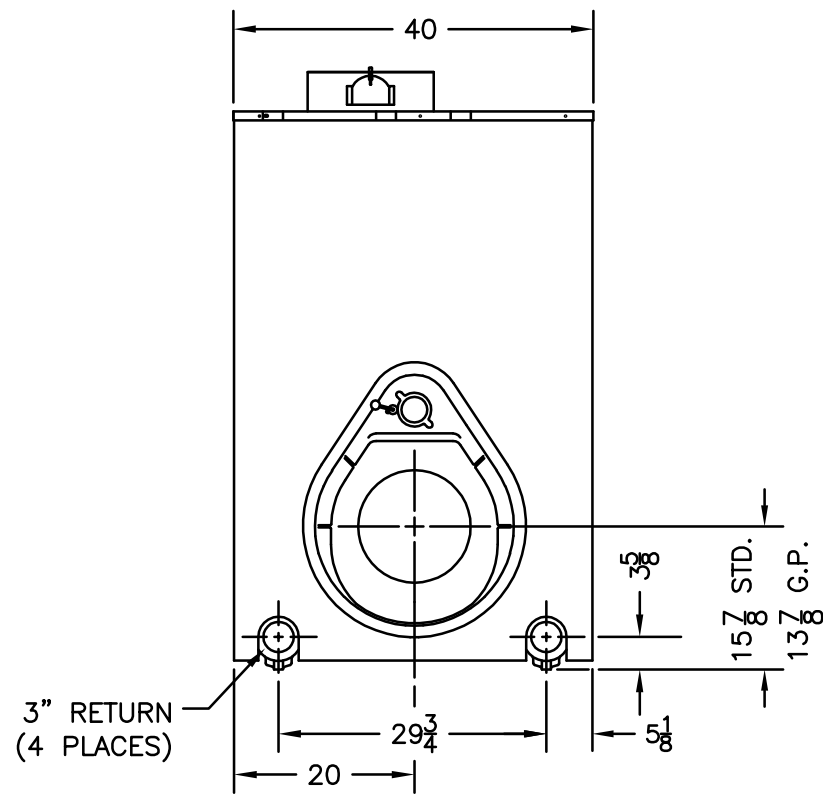
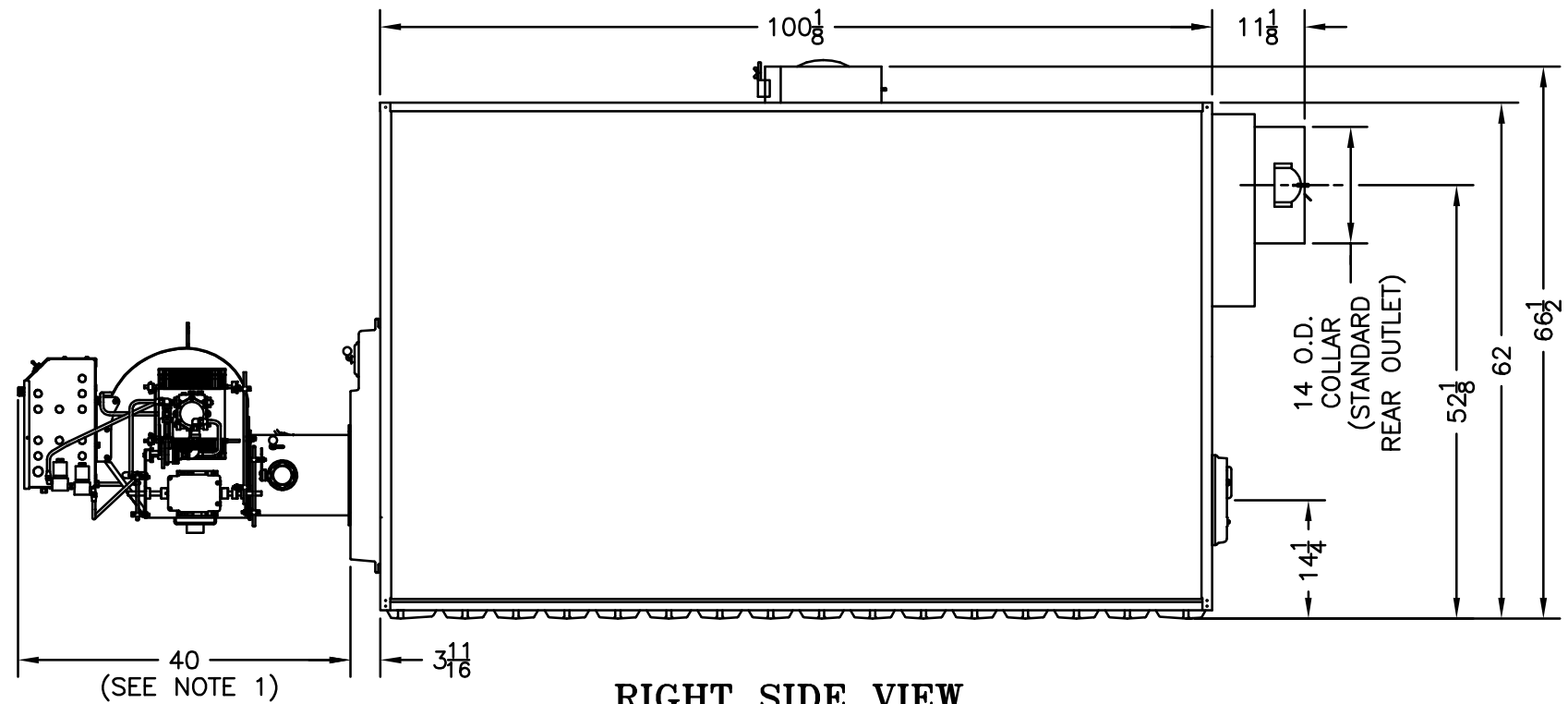


TOP VIEW



FRONT VIEW



RIGHT SIDE VIEW  
(BURNER INSTALLED)

NOTES:

1. TYPICAL POWER FLAME 'CR' BURNER LENGTH SHOWN. EXACT BURNER DIMENSIONS MAY VARY.
2. SPECIFICATIONS SUBJECT TO CHANGE WITHOUT NOTICE.

DIMENSIONS IN INCHES, FRACTIONAL TOLERANCES $\pm 1/32"$ , ANGULAR TOLERANCES $\pm 1'$ , UNLESS OTHERWISE NOTED.			SUPERSEDES		DWG. DATE 12/19/08
<b>BURNHAM</b> Commercial Boilers			DRAWING TITLE DIMENSIONAL DRAWING V1116 STEAM BOILER		DRAWING NO. TS-93-56-B
DRAWN EAB	CHECKED	DESIGNED	APPROVED MZ	RELEASED	DWG. SCALE 3/64"=1"
					REV. LEVEL