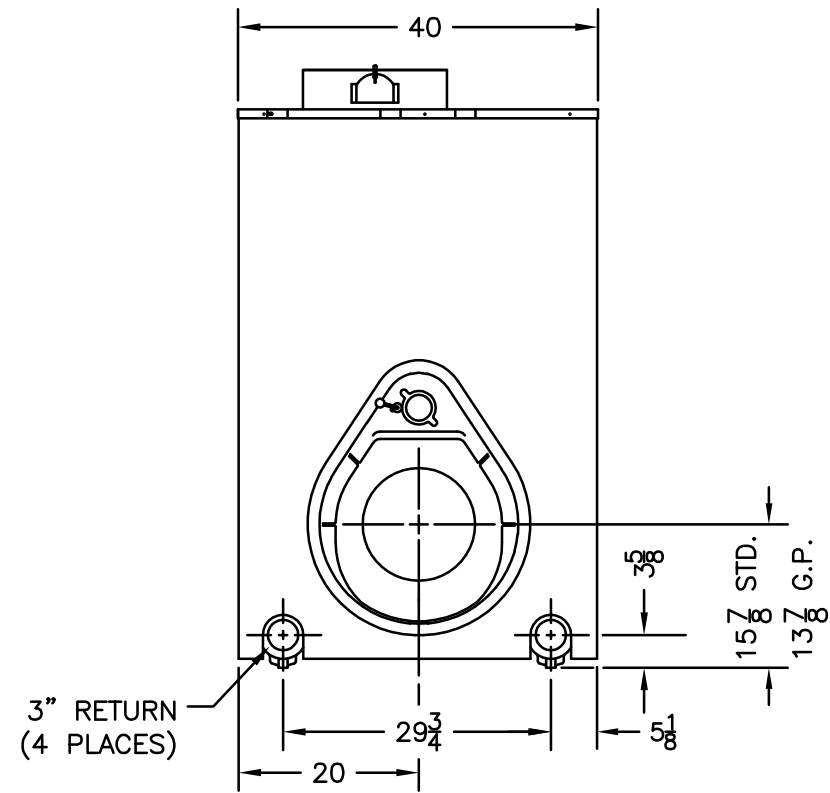
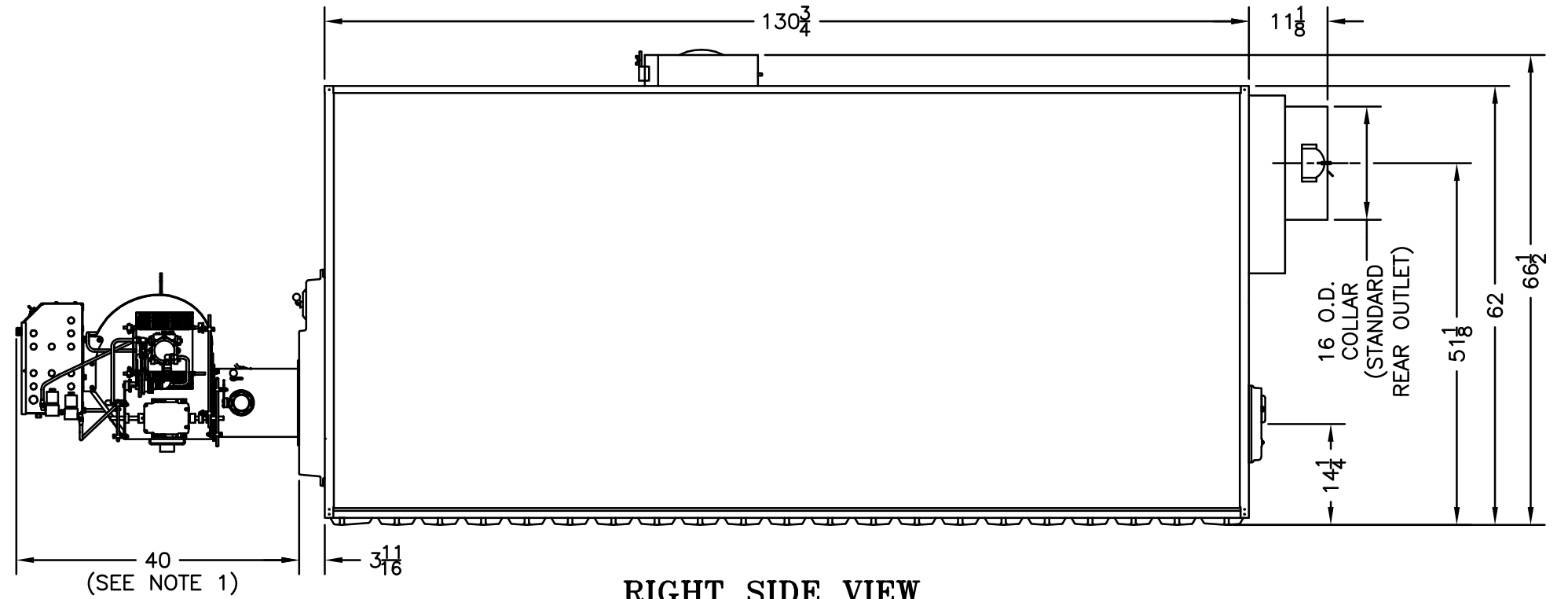


TOP VIEW



FRONT VIEW



RIGHT SIDE VIEW  
(BURNER INSTALLED)

NOTES:

1. TYPICAL POWER FLAME 'CR' BURNER LENGTH SHOWN. EXACT BURNER DIMENSIONS MAY VARY.
2. SPECIFICATIONS SUBJECT TO CHANGE WITHOUT NOTICE.
3. SECOND SUPPLY NOT NEEDED FOR 40°F TEMPERATURE RISE APPLICATIONS.

DIMENSIONS IN INCHES, FRACTIONAL TOLERANCES $\pm 1/32"$ , ANGULAR TOLERANCES $\pm 1^\circ$ , UNLESS OTHERWISE NOTED.		SUPERSEDES		DWG. DATE 12/22/08		
<b>BURNHAM</b> Commercial Boilers		DRAWING TITLE DIMENSIONAL DRAWING V1121 WATER BOILER 20°F OR 40°F TEMPERATURE RISE		DRAWING NO. TS-93-81-B		
		DRAWN EAB	CHECKED	DESIGNED	APPROVED MZ	RELEASED