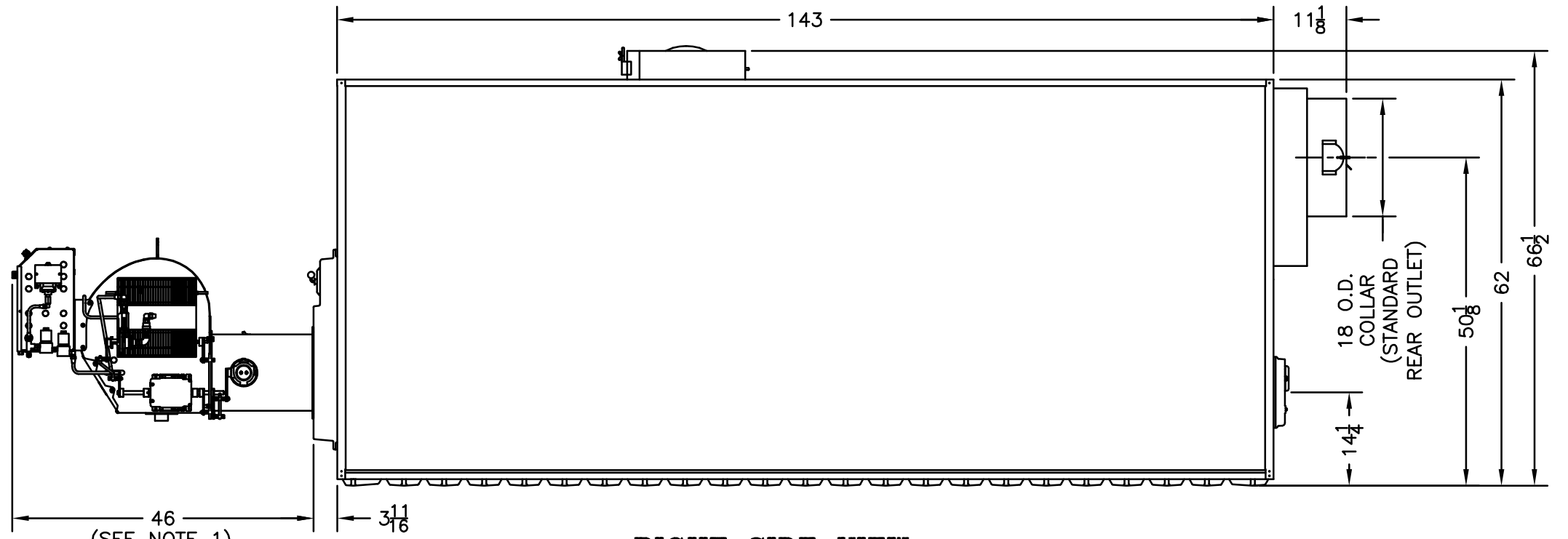
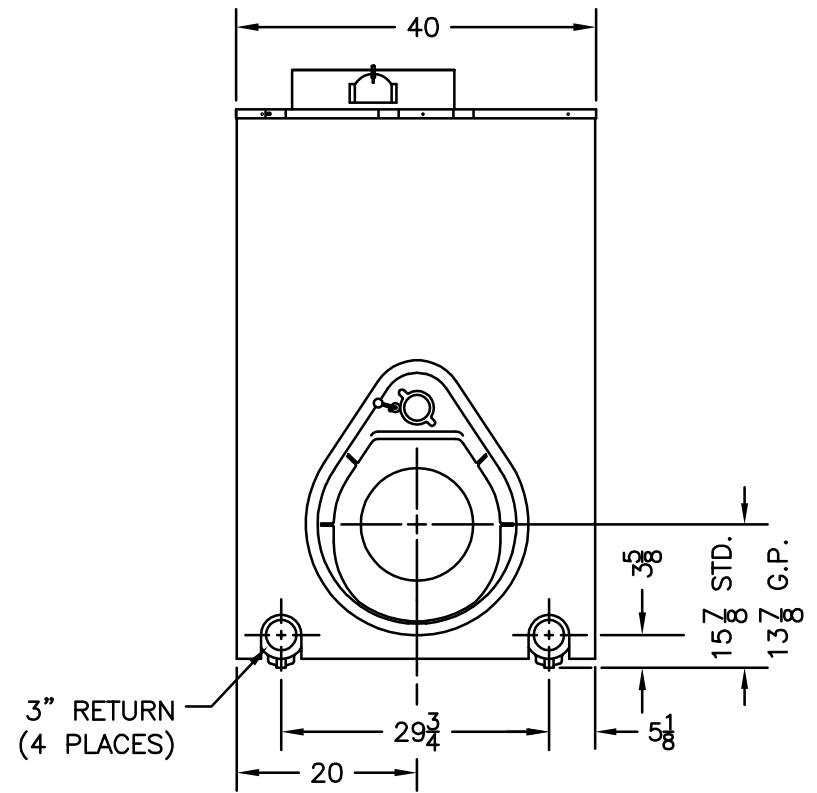


TOP VIEW



RIGHT SIDE VIEW
(BURNER INSTALLED)



FRONT VIEW

- NOTES:
1. TYPICAL POWER FLAME 'CR' BURNER LENGTH SHOWN. EXACT BURNER DIMENSIONS MAY VARY.
 2. SPECIFICATIONS SUBJECT TO CHANGE WITHOUT NOTICE.
 3. SECOND SUPPLY NOT NEEDED FOR 40°F TEMPERATURE RISE APPLICATIONS.

DIMENSIONS IN INCHES, FRACTIONAL TOLERANCES $\pm 1/32"$, ANGULAR TOLERANCES $\pm 1'$, UNLESS OTHERWISE NOTED.			SUPERSEDES		DWG. DATE 12/22/08	
BURNHAM [®] Commercial Boilers			DRAWING TITLE DIMENSIONAL DRAWING V1123 WATER BOILER 20°F OR 40°F TEMPERATURE RISE		DRAWING NO. TS-93-83-B	
			DRAWN EAB	CHECKED	DESIGNED	APPROVED MZ