

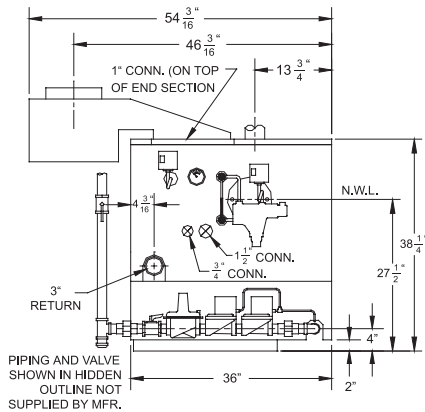
Series 5B DIMENSIONS



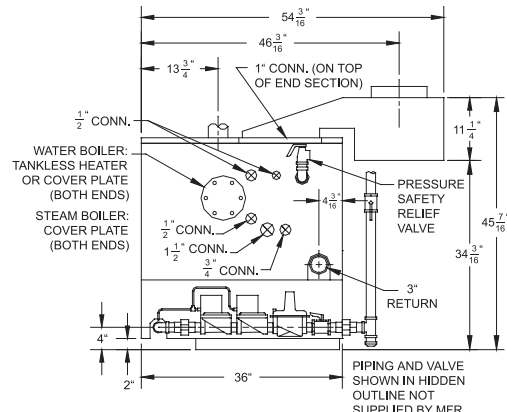
BOILER MODEL	JACKET OVERALL LENGTH 'A'	DRAFTHOOD HEIGHT, SIZE & LOCATION							TOP SUPPLY & REAR RETURN LOCATION			SUPPLY* CONN. (QTY.) & SIZE (Inches)	RETURN* CONN. (QTY.) & SIZE (Inches)	GAS CONN.** (QTY.) & SIZE NATURAL & PROPANE (inches)	
		'B' DIA.	'F'	'C' DIA.	'G'	'D' DIA.	'H'	'E' DIA.	'J'	'K'	'M'				'N'
5006B	34	9	—	—	—	—	—	—	17	19-3/4	—	—	(2) 3	(2) 3	(1) 1
5007B	39-3/8	10	—	—	—	—	—	—	19-3/4	32-1/4	—	—	(2) 3	(2) 3	(1) 1
5008B	44-3/4	12	—	—	—	—	—	—	22-3/8	38-3/8	—	—	(2) 3	(2) 3	(1) 1
5009B	50-1/4	12	—	—	—	—	—	—	25-1/8	43-3/4	—	—	(2) 3	(2) 3	(1) 1-1/4
5010B	55-3/4	12	—	—	—	—	—	—	27-7/8	49-1/4	—	—	(2) 3	(2) 3	(1) 1-1/4
5011B	61-1/8	9	27-1/4	9	—	—	—	—	17	54-3/4	—	—	(2) 3	(2) 3	(1) 1-1/4
5012B	66-1/2	9	29-7/8	10	—	—	—	—	19-3/4	60-1/8	—	—	(2) 3	(2) 3	(1) 1-1/4
5013B	72	10	32-5/8	10	—	—	—	—	19-3/4	65-1/2	—	—	(2) 3	(2) 3	(1) 1-1/4
5014B	77-1/2	10	35-3/8	12	—	—	—	—	22-3/8	71	—	—	(2) 3	(2) 3	(1) 1-1/4
5015B	82-7/8	12	38	12	—	—	—	—	22-3/8	38-1/4	38-1/4	—	(3) 3	(2) 3, (1) 2-1/2	(1) 1, (1) 1-1/4
5016B	88-1/4	12	40-3/4	12	—	—	—	—	25-1/8	38-1/4	43-5/8	—	(3) 3	(2) 3, (1) 2-1/2	(2) 1-1/4
5017B	93-3/4	12	43-1/2	12	—	—	—	—	25-1/8	43-5/8	43-5/8	—	(3) 3	(2) 3, (1) 2-1/2	(2) 1-1/4
5018B	99-1/4	12	46-1/4	12	—	—	—	—	27-7/8	43-5/8	49-1/8	—	(3) 3	(2) 3, (1) 2-1/2	(2) 1-1/4
5019B	104-5/8	12	49	12	—	—	—	—	27-7/8	49-1/8	49-1/8	—	(3) 3	(2) 3, (1) 2-1/2	(2) 1-1/4
5020B	110	9	27-1/4	9	38	12	—	—	27-7/8	54-1/2	49-1/8	—	(3) 3	(2) 3, (1) 2-1/2	(2) 1-1/4
5021B	115-1/2	9	29-7/8	10	40-3/4	12	—	—	27-7/8	27-3/8	32-5/8	49-1/8	(4) 3	(2) 3, (2) 2-1/2	(2) 1-1/4
5022B	121	10	32-5/8	10	40-3/4	12	—	—	27-7/8	32-3/4	32-5/8	49-1/8	(4) 3	(2) 3, (2) 2-1/2	(2) 1-1/4
5024B	131-3/4	9	29-7/8	10	32-5/8	10	32-5/8	10	19-3/4	27-3/8	65-1/4	32-3/4	(5) 3	(2) 3, (2) 2-1/2	(2) 1-1/4
5026B	142-3/4	10	35-5/8	12	35-3/8	10	32-5/8	10	19-3/4	32-3/4	70-3/4	32-3/4	(5) 3	(2) 3, (2) 2-1/2	(2) 1-1/4

*For actual # of tappings used, see recommended water piping

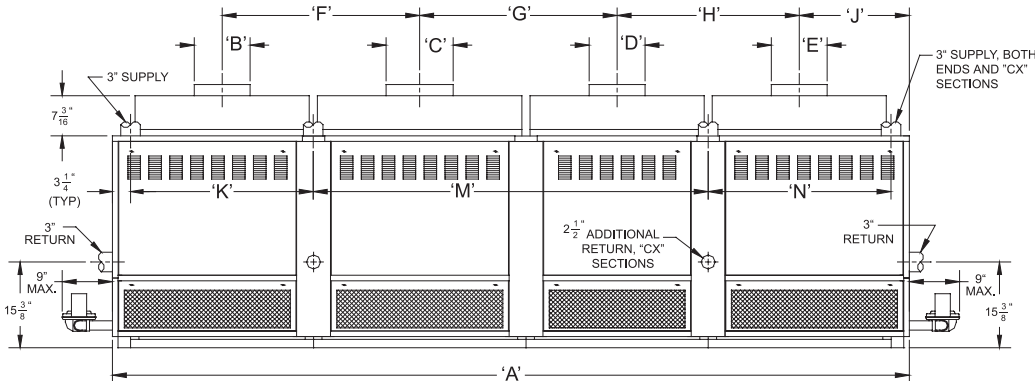
**Gas Trains: 5006 – 5009 Robertshaw 7000 DERHC
 5010 – 5026 Dual Honeywell V88A's
 5006 – 5009 Honeywell V88A's (optional)



LEFT END VIEW
(USA GAS TRAIN ILLUSTRATED)



RIGHT END VIEW
(USA GAS TRAIN ILLUSTRATED)



FRONT VIEW

Notes:

- 5006B thru 5014B: Boilers require single gas train. Location on left end of boiler is standard. Gas train may be relocated to right end of boiler except 5012B and 5014B boilers.
- 5015B thru 5026B: Boilers require dual gas trains.

Not for installation on combustible flooring.