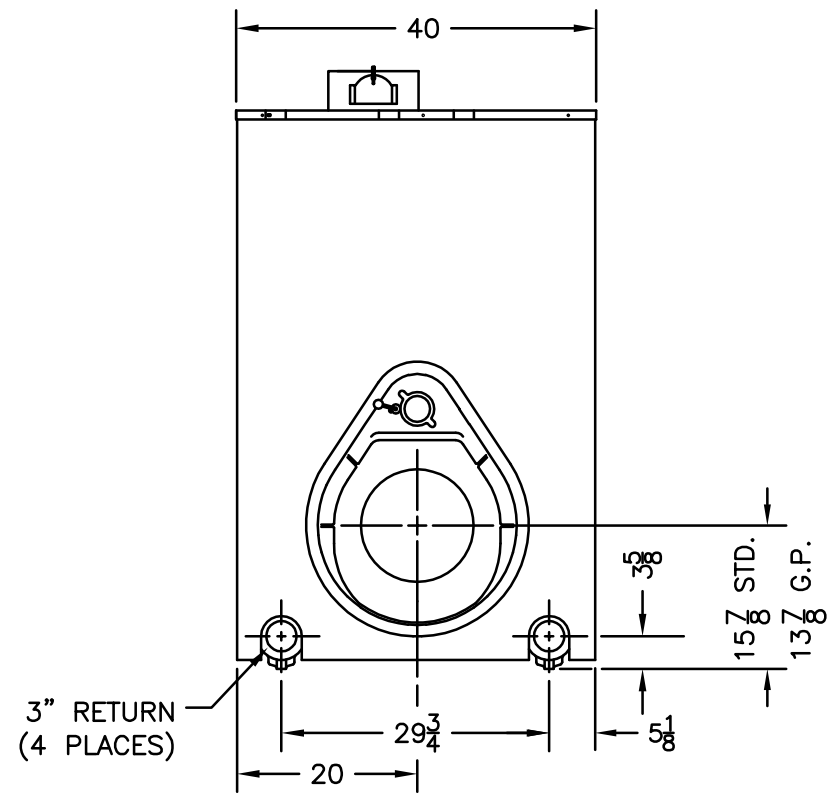
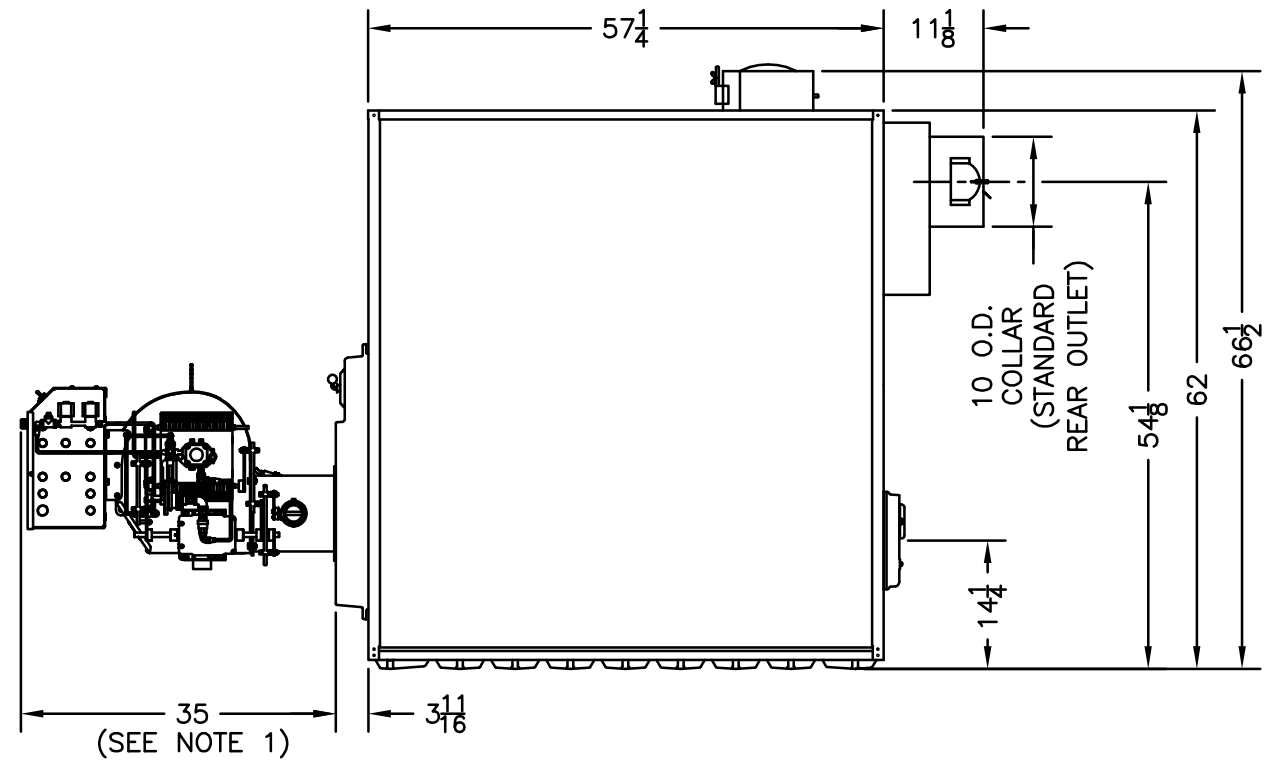


TOP VIEW



FRONT VIEW



RIGHT SIDE VIEW  
(BURNER INSTALLED)

NOTES:

1. TYPICAL POWER FLAME 'CR' BURNER LENGTH SHOWN. EXACT BURNER DIMENSIONS MAY VARY.
2. SPECIFICATIONS SUBJECT TO CHANGE WITHOUT NOTICE.

DIMENSIONS IN INCHES, FRACTIONAL TOLERANCES $\pm 1/32"$ , ANGULAR TOLERANCES $\pm 1^\circ$ , UNLESS OTHERWISE NOTED.			SUPERSEDES		DWG. DATE 12/19/08	
			DRAWING TITLE DIMENSIONAL DRAWING V1109 STEAM BOILER		DRAWING NO. TS-93-49-B	
			DRAWN EAB	CHECKED	DESIGNED	APPROVED MZ