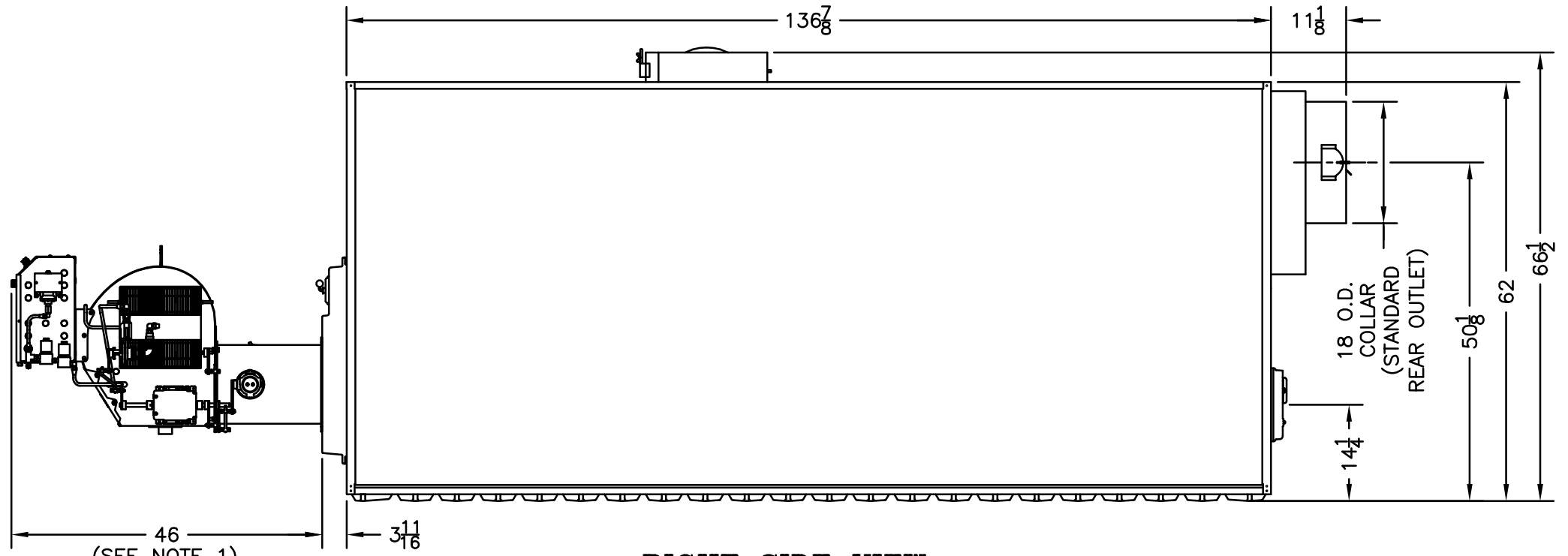
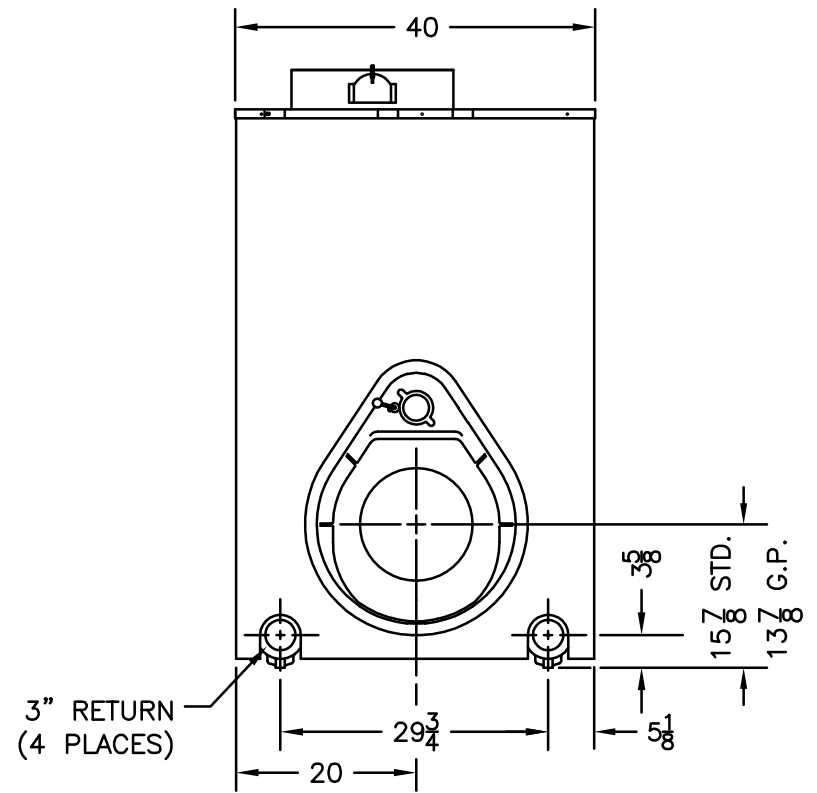


TOP VIEW



RIGHT SIDE VIEW
(BURNER INSTALLED)



FRONT VIEW

- NOTES:
1. TYPICAL POWER FLAME 'CR' BURNER LENGTH SHOWN. EXACT BURNER DIMENSIONS MAY VARY.
 2. SPECIFICATIONS SUBJECT TO CHANGE WITHOUT NOTICE.

DIMENSIONS IN INCHES, FRACTIONAL TOLERANCES $\pm 1/32"$, ANGULAR TOLERANCES $\pm 1^\circ$, UNLESS OTHERWISE NOTED.			SUPERSEDES		DWG. DATE 12/19/08	
BURNHAM [®] Commercial Boilers			DRAWING TITLE DIMENSIONAL DRAWING V1122 STEAM BOILER		DRAWING NO. TS-93-62-B	
			DRAWN EAB	CHECKED	DESIGNED	APPROVED MZ