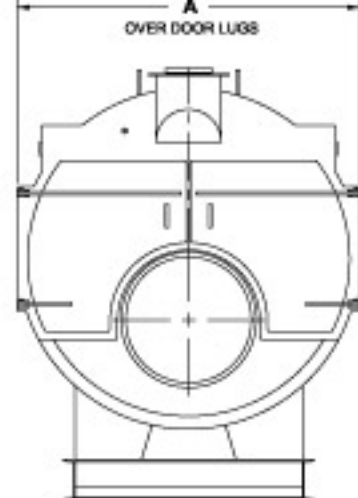
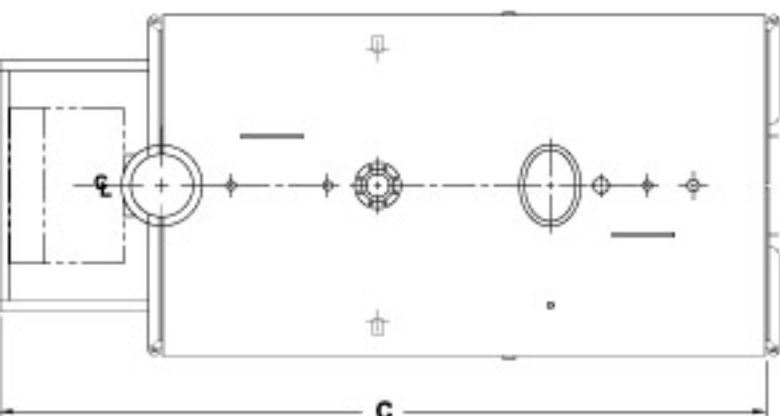


| | 100 | 125 | 150 | 175 | 200 | 250 | 300 | 350 | 400 | 500 | 600 | 700 | 800 |
|---|-----|-----|-----|-----|-----|-----|-----|-----|-----|-----|-----|-----|-----|
| A | 68 | 68 | 76 | 76 | 76 | 84 | 84 | 94 | 94 | 104 | 104 | 114 | 114 |
| B | 84 | 85 | 93 | 93 | 93 | 101 | 101 | 111 | 111 | 121 | 121 | 131 | 131 |
| C | 150 | 176 | 169 | 188 | 207 | 205 | 233 | 240 | 263 | 264 | 300 | 286 | 315 |

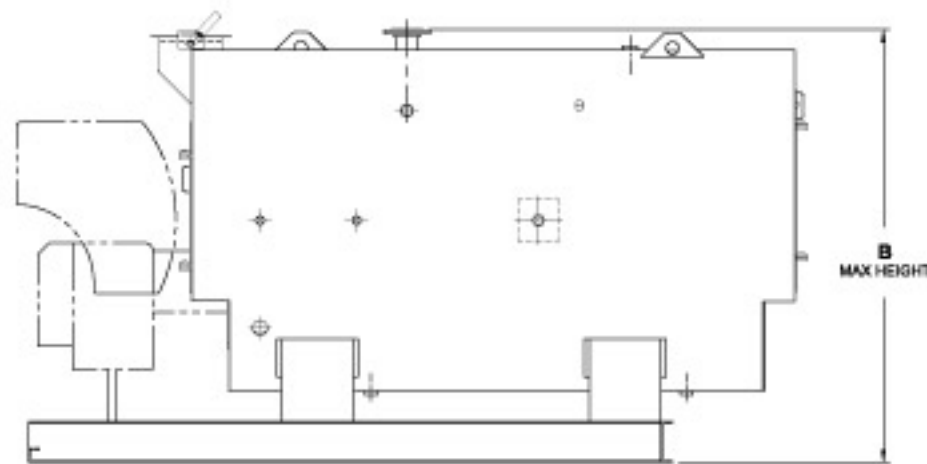


FRONT VIEW

SPECIFICATIONS SUBJECT TO CHANGE WITHOUT NOTICE
ALL CONNECTIONS ARE THREADED UNLESS OTHERWISE SPECIFIED



**OVER SKID
PLAN VIEW**



SIDE VIEW