

2

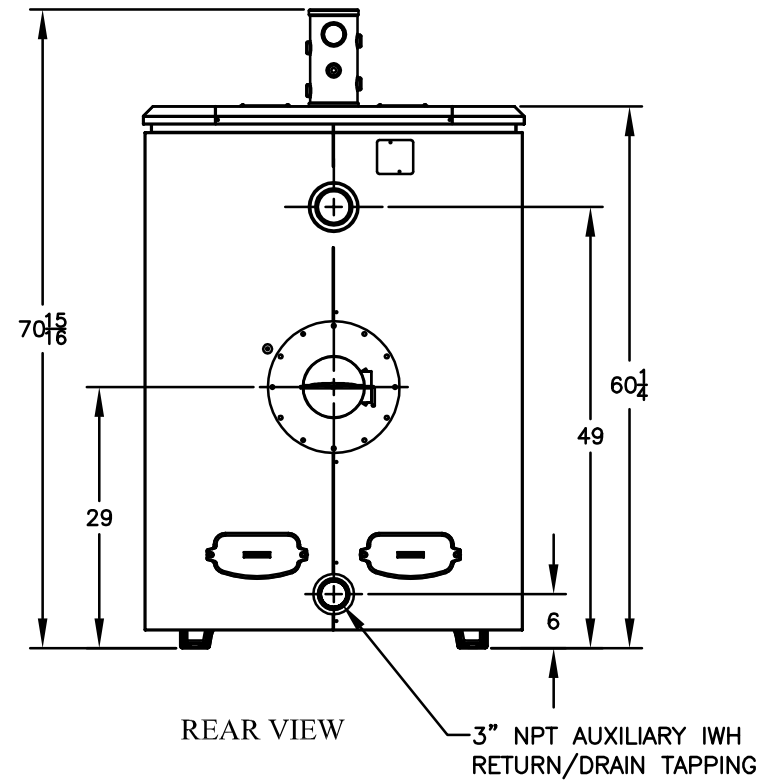
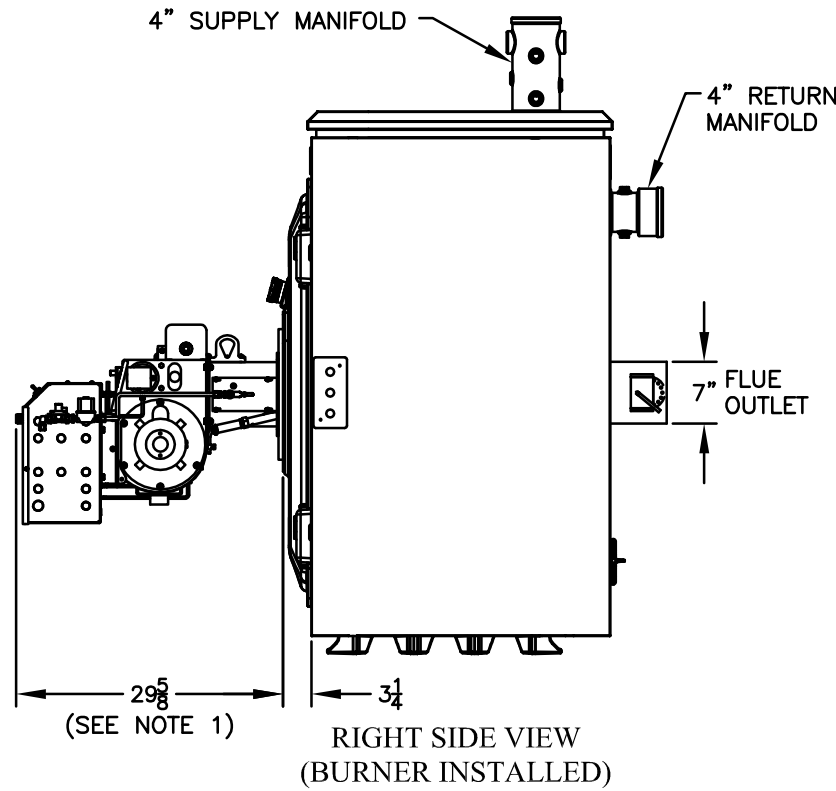
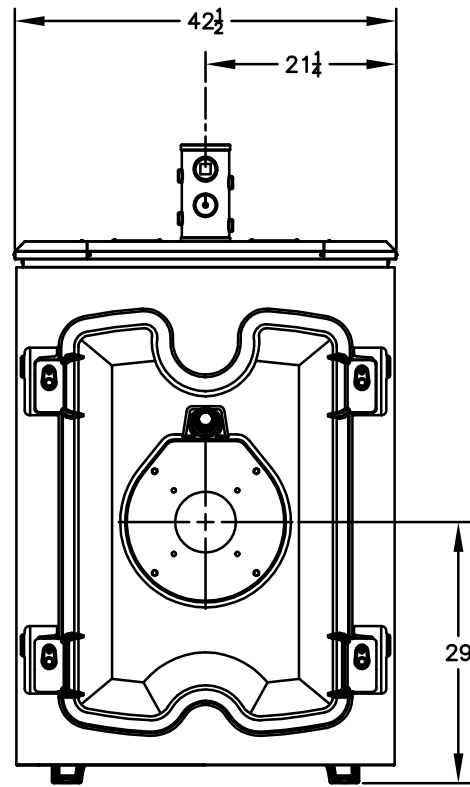
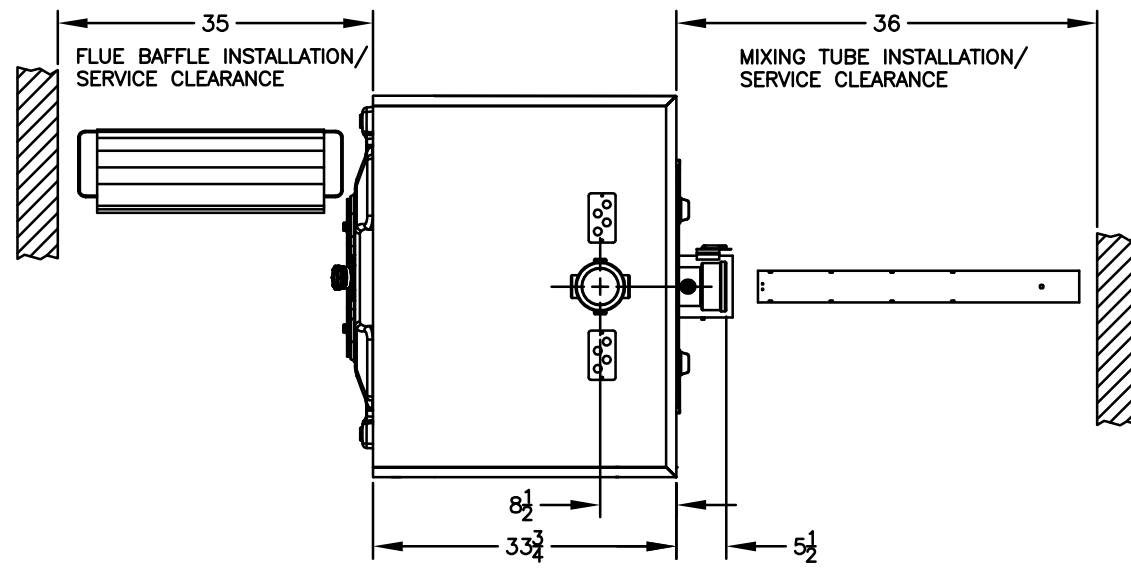
1

B

B

A

A



- NOTES:
1. TYPICAL POWER FLAME 'C' BURNER LENGTH SHOWN. EXACT BURNER DIMENSIONS MAY VARY.
 2. SPECIFICATIONS SUBJECT TO CHANGE WITHOUT NOTICE.

		TITLE			
		DIMENSIONAL DRAWING MPC 4 BOILER			
DRAWING NUMBER	SCALE	DWG SIZE	SHEET		
TS-95-82	3/64" = 1"	B	1 OF 1		

2

1

A