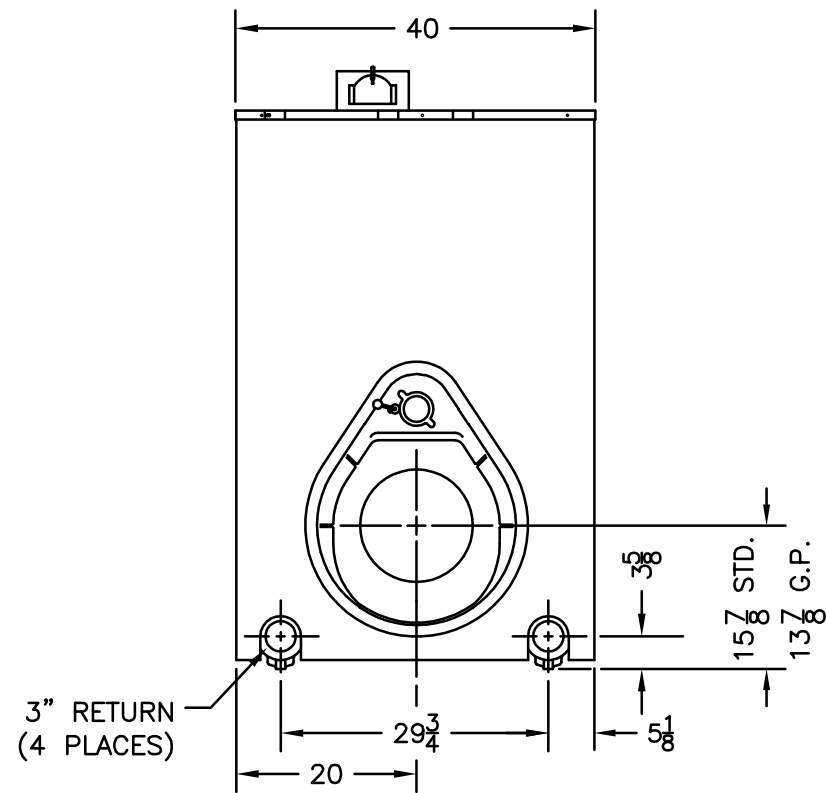
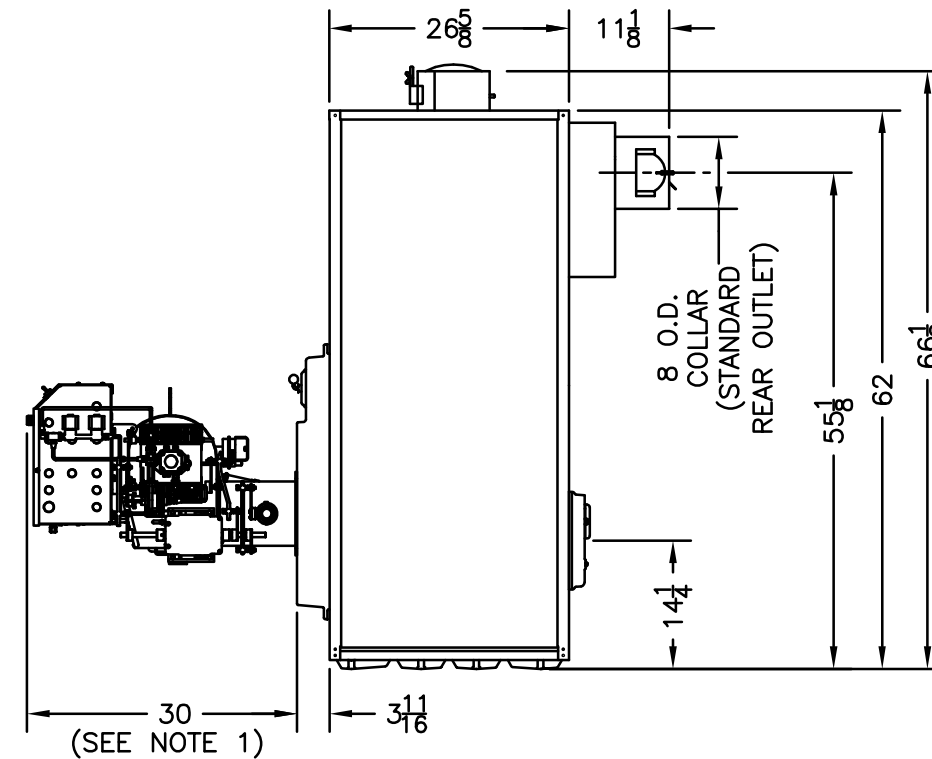


TOP VIEW



FRONT VIEW



RIGHT SIDE VIEW (BURNER INSTALLED)

NOTES:

1. TYPICAL POWER FLAME 'CR' BURNER LENGTH SHOWN. EXACT BURNER DIMENSIONS MAY VARY.
2. SPECIFICATIONS SUBJECT TO CHANGE WITHOUT NOTICE.

DIMENSIONS IN INCHES, FRACTIONAL TOLERANCES $\pm 1/32"$, ANGULAR TOLERANCES $\pm 1'$, UNLESS OTHERWISE NOTED.		SUPERSEDES		DWG. DATE 12/18/08		
		DRAWING TITLE DIMENSIONAL DRAWING V1104 STEAM BOILER		DRAWING NO. TS-93-44-B		
		DRAWN EAB	CHECKED	DESIGNED	APPROVED MZ	RELEASED