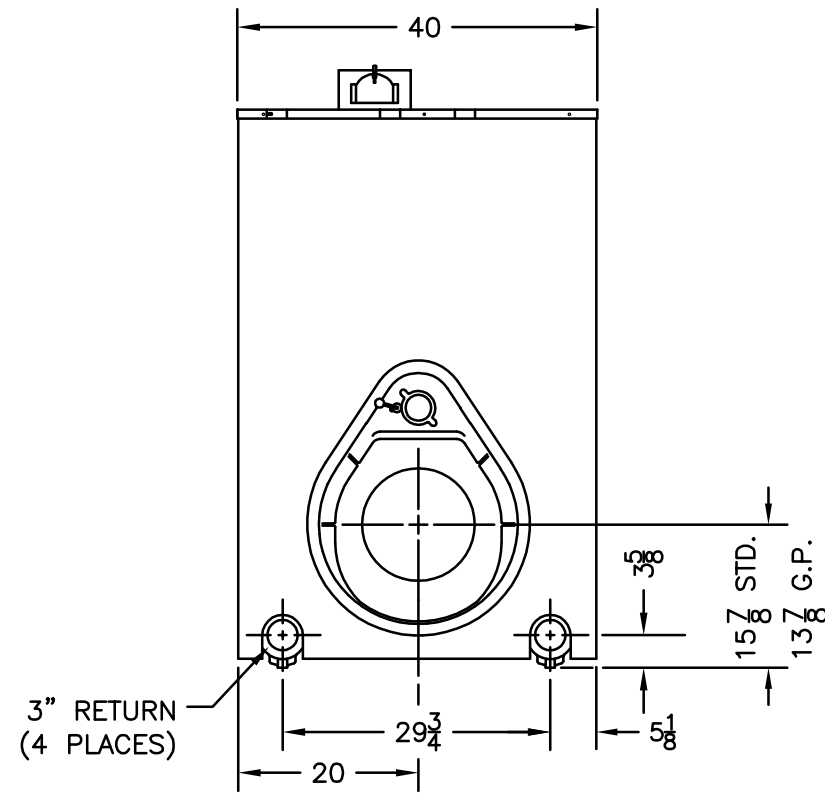
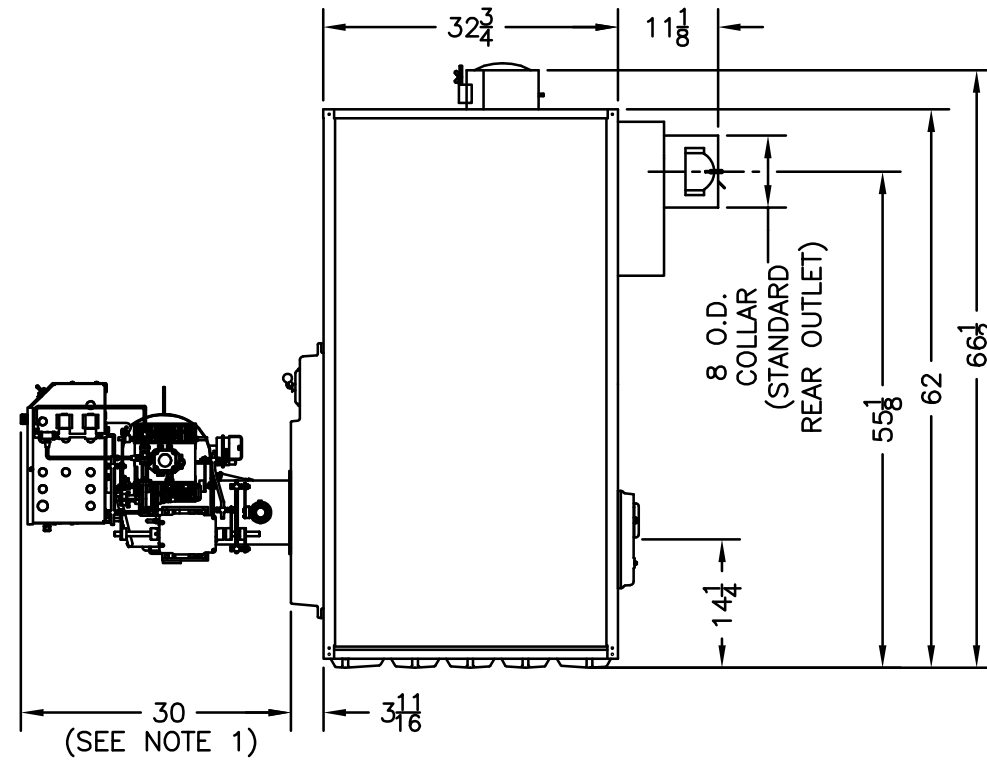


TOP VIEW



FRONT VIEW



RIGHT SIDE VIEW
(BURNER INSTALLED)

NOTES:

1. TYPICAL POWER FLAME 'CR' BURNER LENGTH SHOWN. EXACT BURNER DIMENSIONS MAY VARY.
2. SPECIFICATIONS SUBJECT TO CHANGE WITHOUT NOTICE.

DIMENSIONS IN INCHES, FRACTIONAL TOLERANCES $\pm 1/32"$, ANGULAR TOLERANCES $\pm 1^\circ$, UNLESS OTHERWISE NOTED.			SUPERSEDES		DWG. DATE 12/22/08	
			DRAWING TITLE DIMENSIONAL DRAWING V1105 WATER BOILER 20°F OR 40°F TEMPERATURE RISE		DRAWING NO. TS-93-65-B	
			DRAWN EAB	CHECKED	DESIGNED	APPROVED MZ