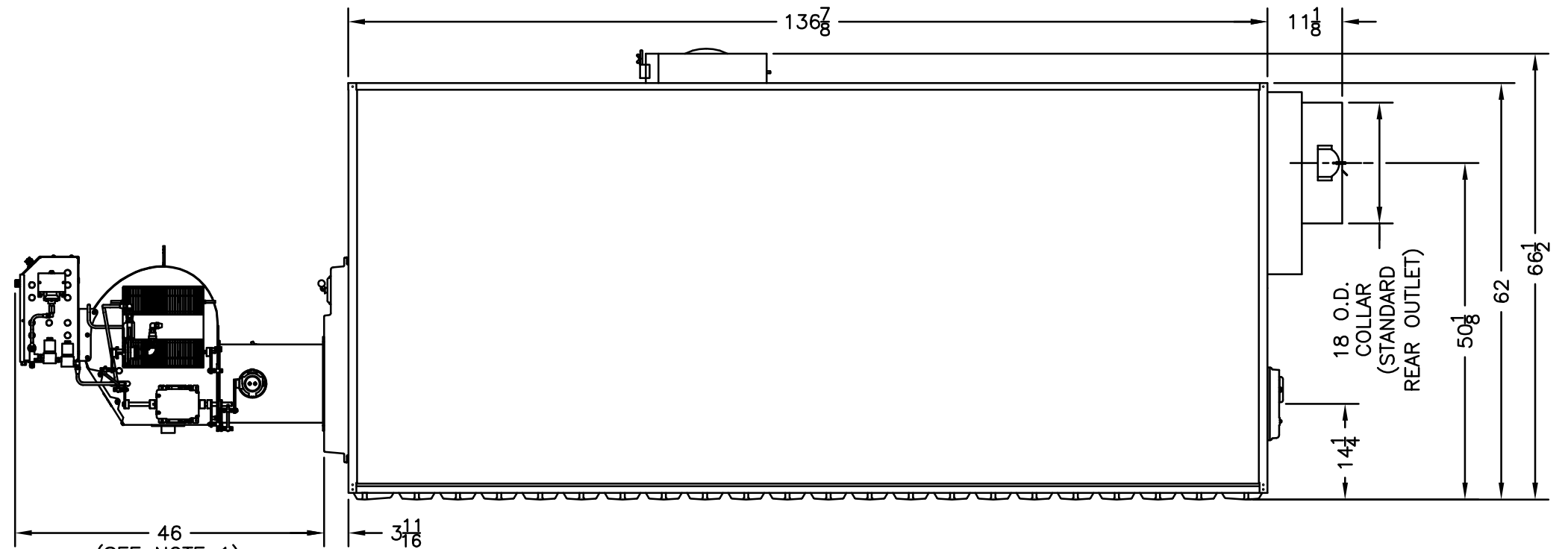
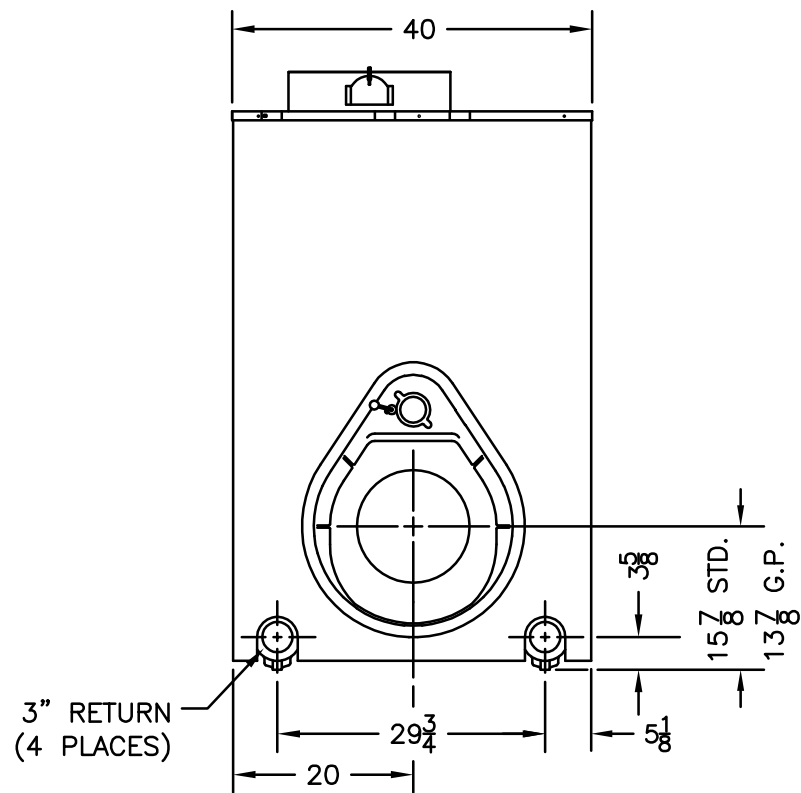


TOP VIEW



RIGHT SIDE VIEW
(BURNER INSTALLED)



FRONT VIEW

NOTES:

1. TYPICAL POWER FLAME 'CR' BURNER LENGTH SHOWN. EXACT BURNER DIMENSIONS MAY VARY.
2. SPECIFICATIONS SUBJECT TO CHANGE WITHOUT NOTICE.
3. SECOND SUPPLY NOT NEEDED FOR 40°F TEMPERATURE RISE APPLICATIONS.

DIMENSIONS IN INCHES, FRACTIONAL TOLERANCES $\pm 1/32"$, ANGULAR TOLERANCES $\pm 1'$, UNLESS OTHERWISE NOTED.			SUPERSEDES		DWG. DATE 12/22/08
			DRAWING TITLE		DRAWING NO.
			DIMENSIONAL DRAWING V1122 WATER BOILER 20°F OR 40°F TEMPERATURE RISE		TS-93-82-B
DRAWN EAB	CHECKED	DESIGNED	APPROVED MZ	RELEASED	DWG. SCALE 3/64"=1"
					REV. LEVEL