

# BURNHAM®

## Commercial Boilers

### LEGEND CONNECTIONS

- A = 8" FLANGED SUPPLY
- B = 2" RETURN COUPLING (2)
- C = INSP./3" x 4" HANDHOLE
- D = 1" WATER COLUMN
- E = 3/4" AQUASTAT
- F = 2" WASHOUT
- G = 2" SURFACE BLOWOFF
- H = 2-1/2" AUXILIARY
- J = 1-1/2" SAFETY/RELIEF VALVE
- K = 2-1/2" SAFETY VALVE (2)
- L = 2" FEEDWATER
- M = 12" x 16" MANHOLE
- N = 1-1/4" T.O.E. NIPPLE DRAFT
- P = 2-1/2" T.O.E. NIPPLE EYE
- Q = 45" NOMINAL FLUE DIAMETER

### RATINGS AND DATA

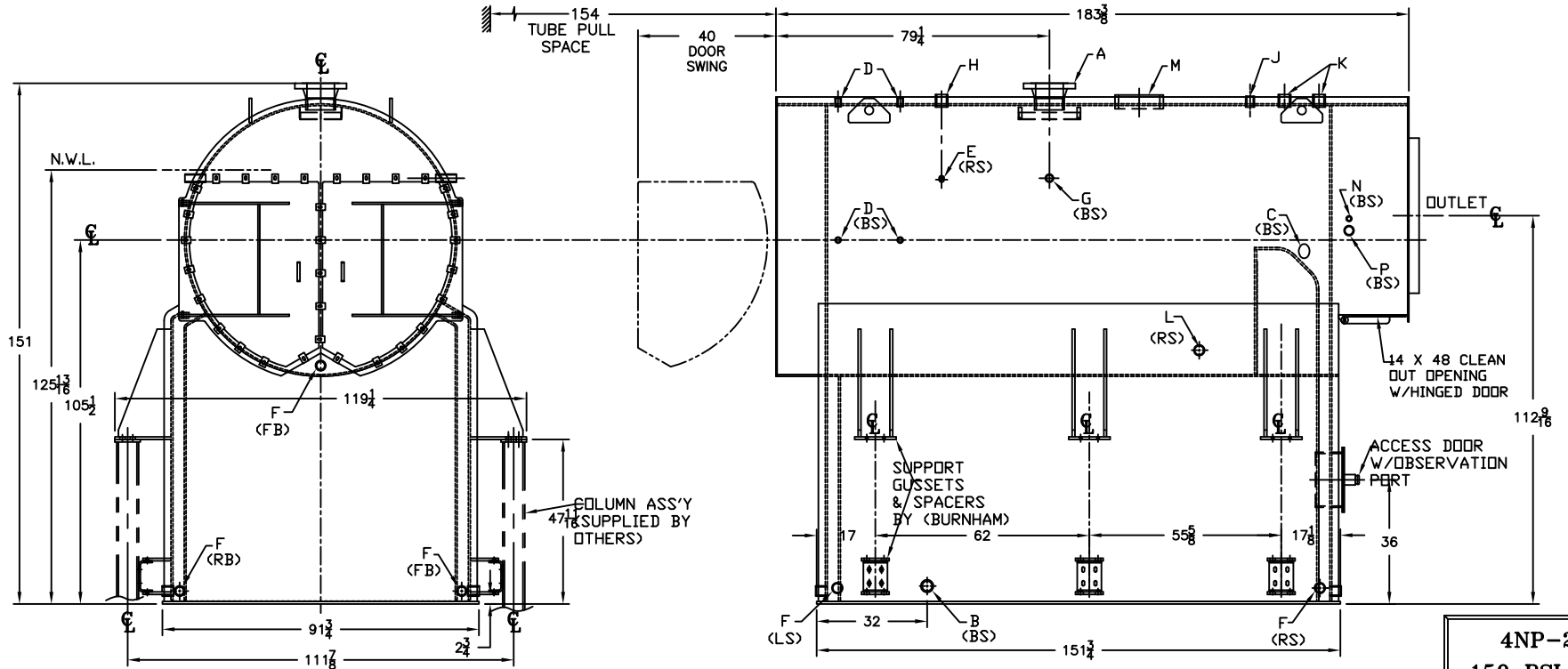
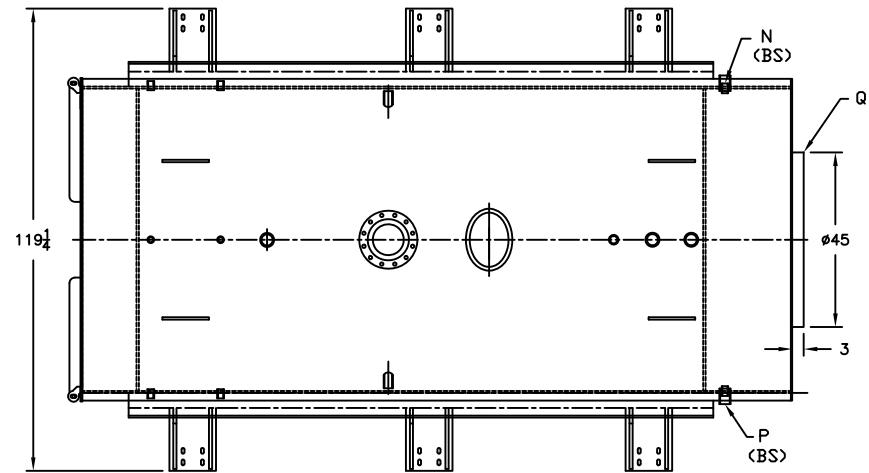
Shell Diameter : 78"

Heating Surface - Sq. Ft.  
 Fireside - 2153 Firetubes  
 Number - 268  
 Diameter - 2 1/2" O.D.

Furnace  
 Volume (Cubic Feet) - 471.9

Water Content  
 Steam - 2056 Gal. (U.S.)

Approximate Weight (Lb.)  
 Dry - 39030  
 Wet - 56156



**4NP-2153**  
**150 PSI STEAM**

SPECIFICATIONS SUBJECT TO CHANGE WITHOUT NOTICE ALL CONNECTIONS ARE THREADED UNLESS OTHERWISE SPECIFIED  
 THIS DOCUMENT CONTAINS CONFIDENTIAL INFORMATION WHICH IS THE PROPERTY OF BURNHAM COMMERCIAL. THIS DOCUMENT MAY NOT BE REPRODUCED, TRANSFERRED OR USED, OR ITS CONTENTS DISCLOSED, WITHOUT THE WRITTEN PERMISSION OF THE OWNER. JAN 12 2009 TS-3-84-2