

BURNHAM[®]

Commercial Boilers

LEGEND CONNECTIONS

- A = 6" FLANGED SUPPLY
- B = 4" RETURN
- C = 3" x 4" HANDHOLE
- D = 1" WATER COLUMN
- E = 3/4" AQUASTAT
- F = 1-1/2" SURFACE BLOWOFF/WASHOUT
- G = 1/2" TEMPERATURE GAUGE
- H = 1-1/2" RELIEF VALVE
- J = 1" AUXILIARY CONNECTION
- K = 18" NOMINAL FLUE DIAMETER

RATINGS AND DATA

Shell Diameter : 33¹/₈"

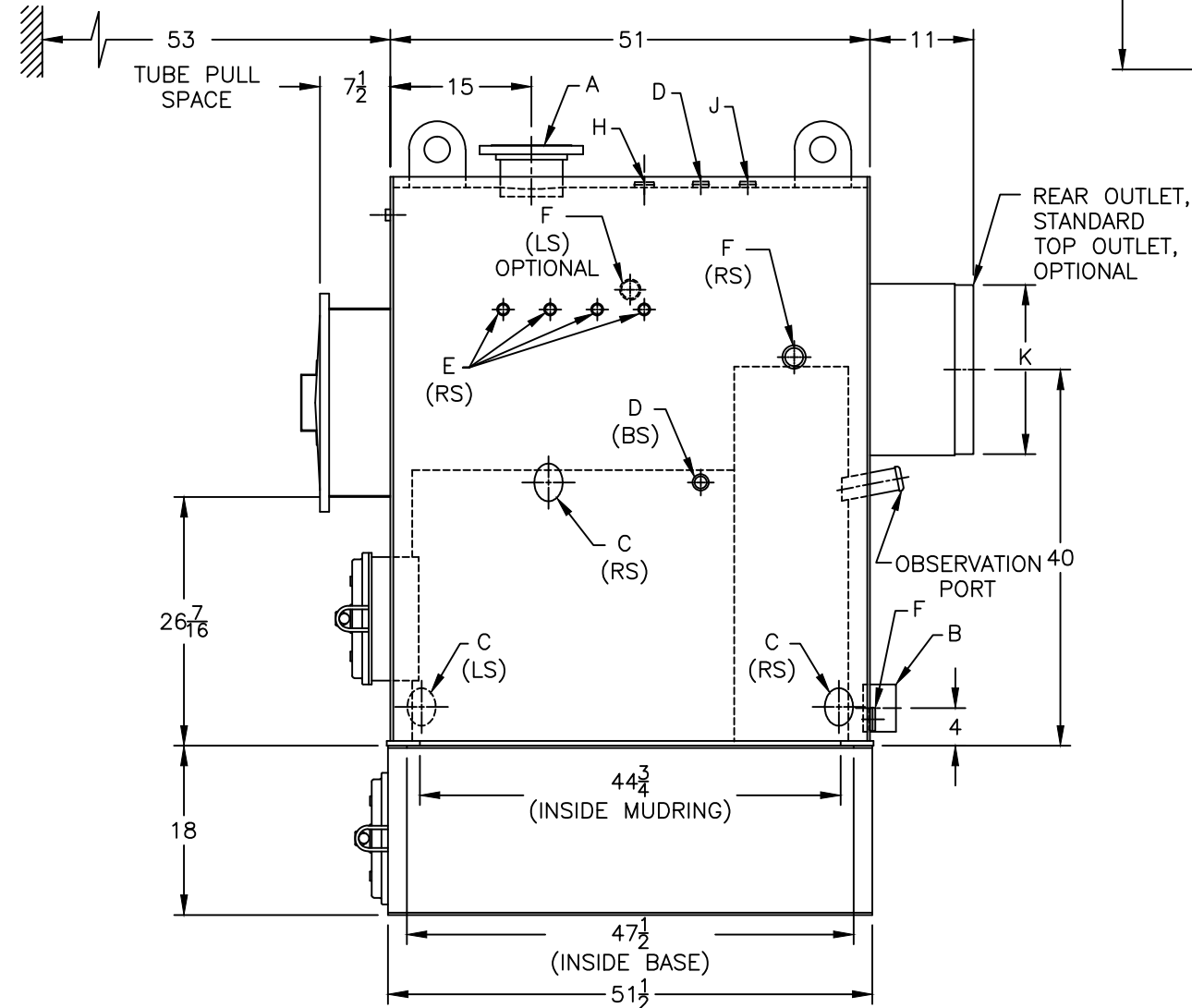
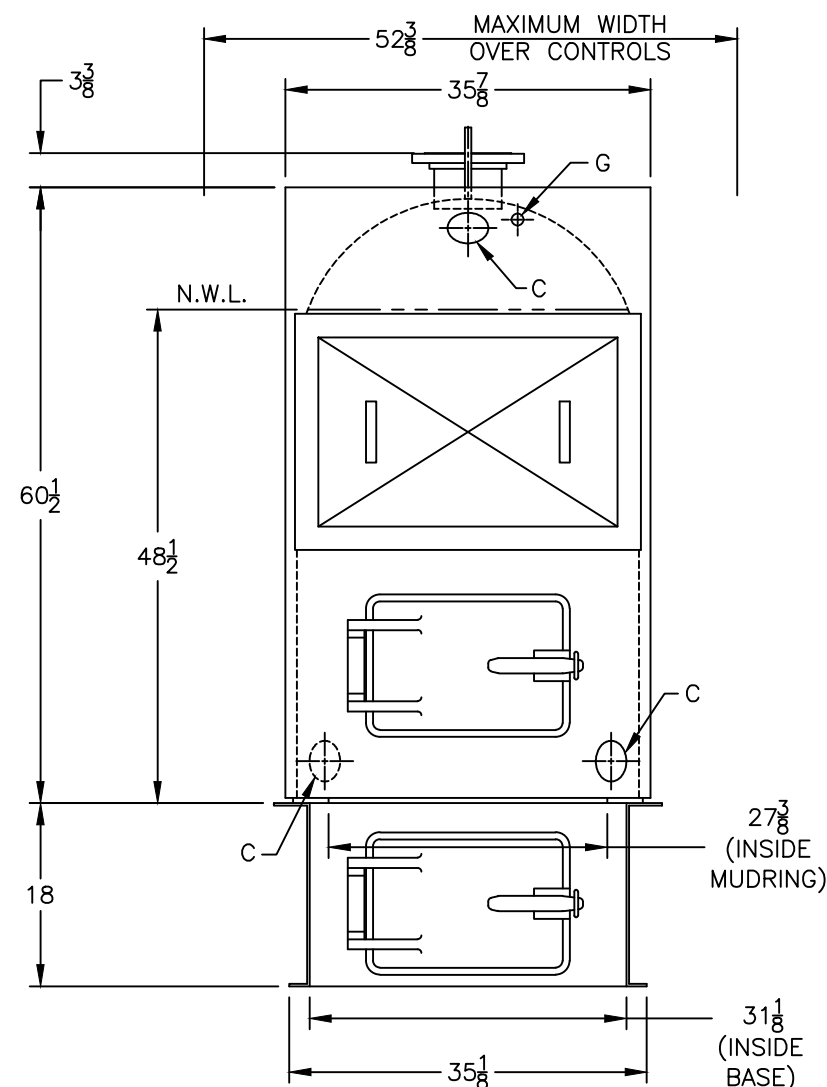
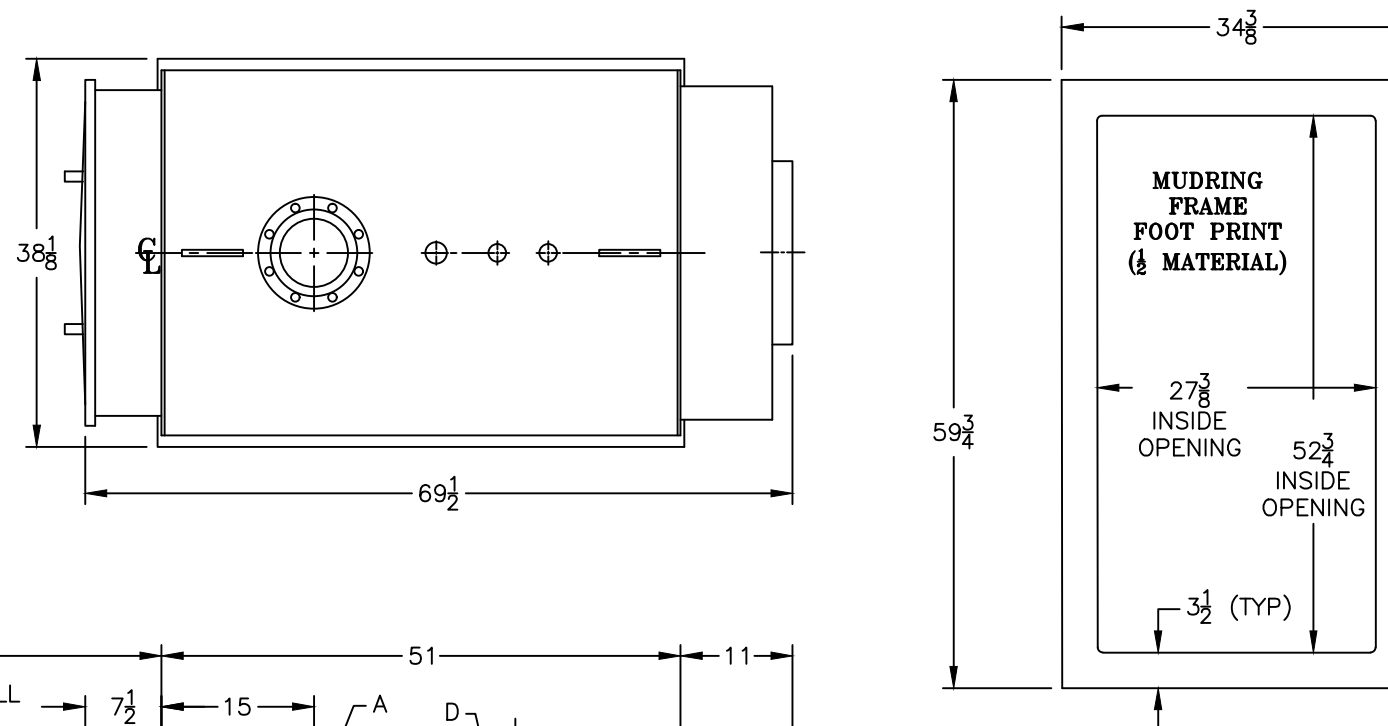
Heating Surface - Sq. Ft.
 Fireside - 115
 Waterside - 120

Firetubes
 Number - 28
 Diameter - 3" O.D.

Furnace
 Volume (Cubic Feet) - 22.7

Water Content
 Steam - 140 Gal. (U.S.)
 Water - 192 Gal. (U.S.)

Approximate Weight (Lb.)
 Dry - 2800
 Wet (Steam) - 3965
 Wet (Water) - 4405



SPECIFICATIONS SUBJECT TO CHANGE WITHOUT NOTICE ALL CONNECTIONS ARE THREADED UNLESS OTHERWISE SPECIFIED

THIS DOCUMENT CONTAINS CONFIDENTIAL INFORMATION WHICH IS THE PROPERTY OF BURNHAM COMMERCIAL. THIS DOCUMENT MAY NOT BE REPRODUCED, TRANSFERRED OR USED, OR ITS CONTENTS DISCLOSED, WITHOUT THE WRITTEN PERMISSION OF THE OWNER.

MODEL 4N-154A

NOV 2017 TS-3-50-2