

# BURNHAM®

## Commercial Boilers

### RATINGS AND DATA

Shell Diameter : 78"

---

Heating Surface - Sq. Ft.  
 Fireside - 1985  
 Waterside - 2143

Firetubes  
 Number - 250  
 Diameter - 3" O.D.

---

Furnace  
 Volume (Cubic Feet) - 298.0

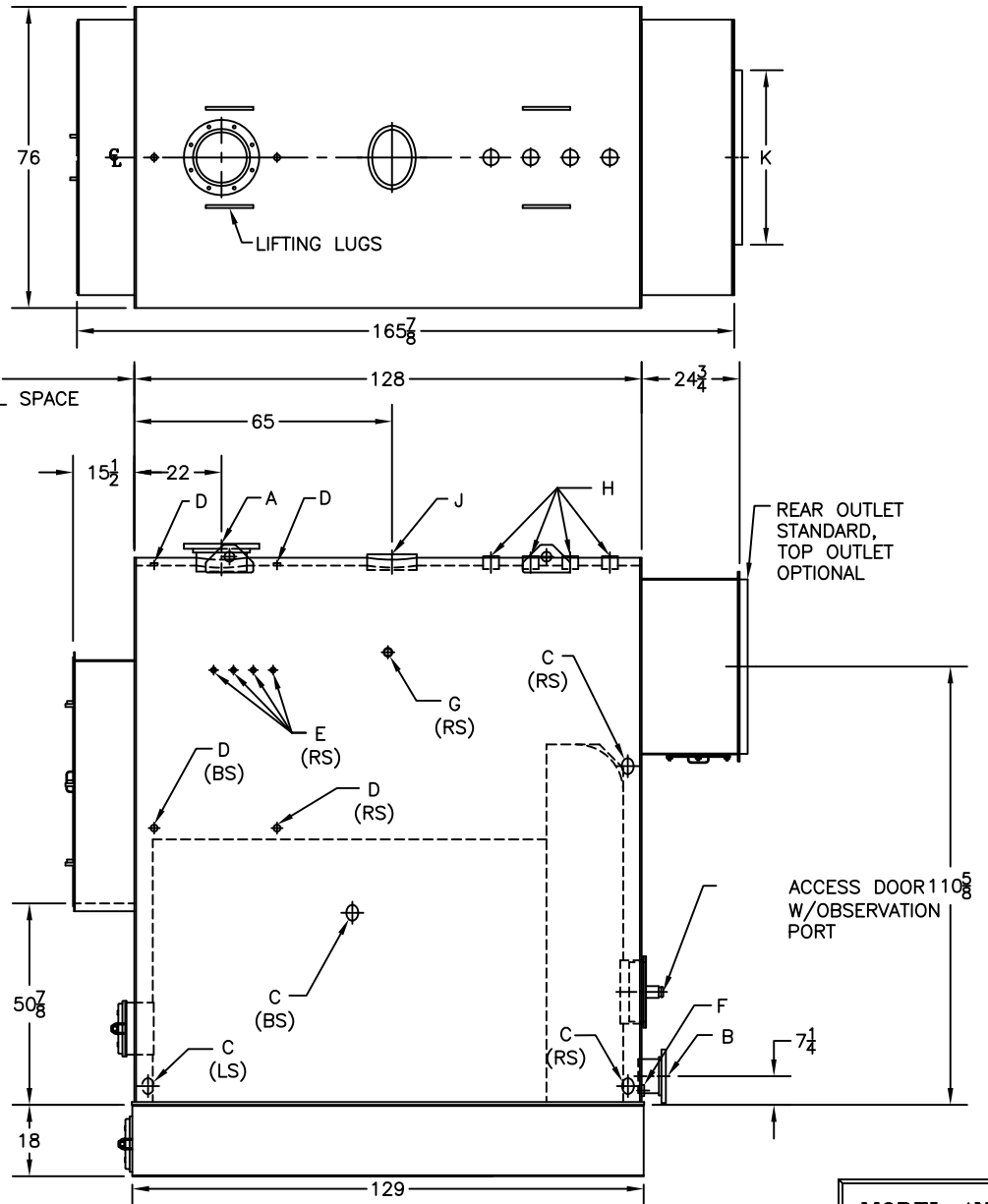
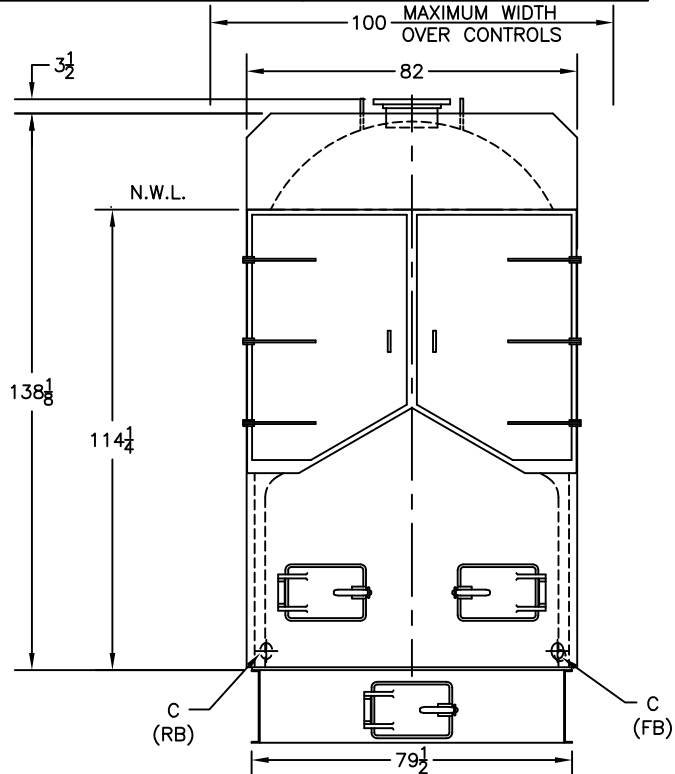
Water Content  
 Steam - 1686 Gal. (U.S.)  
 Water - 2272 Gal. (U.S.)

---

Approximate Weight (Lb.)  
 Dry - 26500  
 Wet (Steam) - 40490  
 Wet (Water) - 45145

### LEGEND CONNECTIONS

- A = 12" FLANGED SUPPLY
- B = 6" FLANGED RETURN (STEAM)  
8" FLANGED RETURN (WATER)
- C = 3" x 4" HANDHOLE
- D = 1" WATER COLUMN
- E = 3/4" AQUASTAT
- F = 2" WASHOUT
- G = 1 1/2" SURFACE BLOWOFF
- H = 3" SAFETY/RELIEF VALVE
- J = 12" X 16" MANHOLE
- K = 44" NOMINAL FLUE DIAMETER



**MODEL 4N-1985**

SPECIFICATIONS SUBJECT TO CHANGE WITHOUT NOTICE ALL CONNECTIONS ARE THREADED UNLESS OTHERWISE SPECIFIED  
 THIS DOCUMENT CONTAINS CONFIDENTIAL INFORMATION WHICH IS THE PROPERTY OF BURNHAM COMMERCIAL. THIS DOCUMENT MAY NOT BE REPRODUCED, TRANSFERRED OR USED, OR ITS CONTENTS DISCLOSED, WITHOUT THE WRITTEN PERMISSION OF THE OWNER.