

# BURNHAM®

## Commercial Boilers

### LEGEND CONNECTIONS

- A = 4" SUPPLY
- B = 3" RETURN
- C = 3" x 4" HANDHOLE
- D = 1" WATER COLUMN
- E = 3/4" AQUASTAT
- F = 1-1/2" SURFACE BLOWOFF/WASHOUT
- G = 1/2" TEMPERATURE GAUGE
- H = 1-1/4" SAFETY/RELIEF VALVE
- J = 1" AUXILIARY CONNECTION
- K = 14" NOMINAL FLUE DIAMETER

### RATINGS AND DATA

Shell Diameter : 27 $\frac{3}{4}$ "

---

Heating Surface - Sq. Ft.  
 Fireside - 64  
 Waterside - 67

Firetubes  
 Number - 16  
 Diameter - 3" O.D.

---

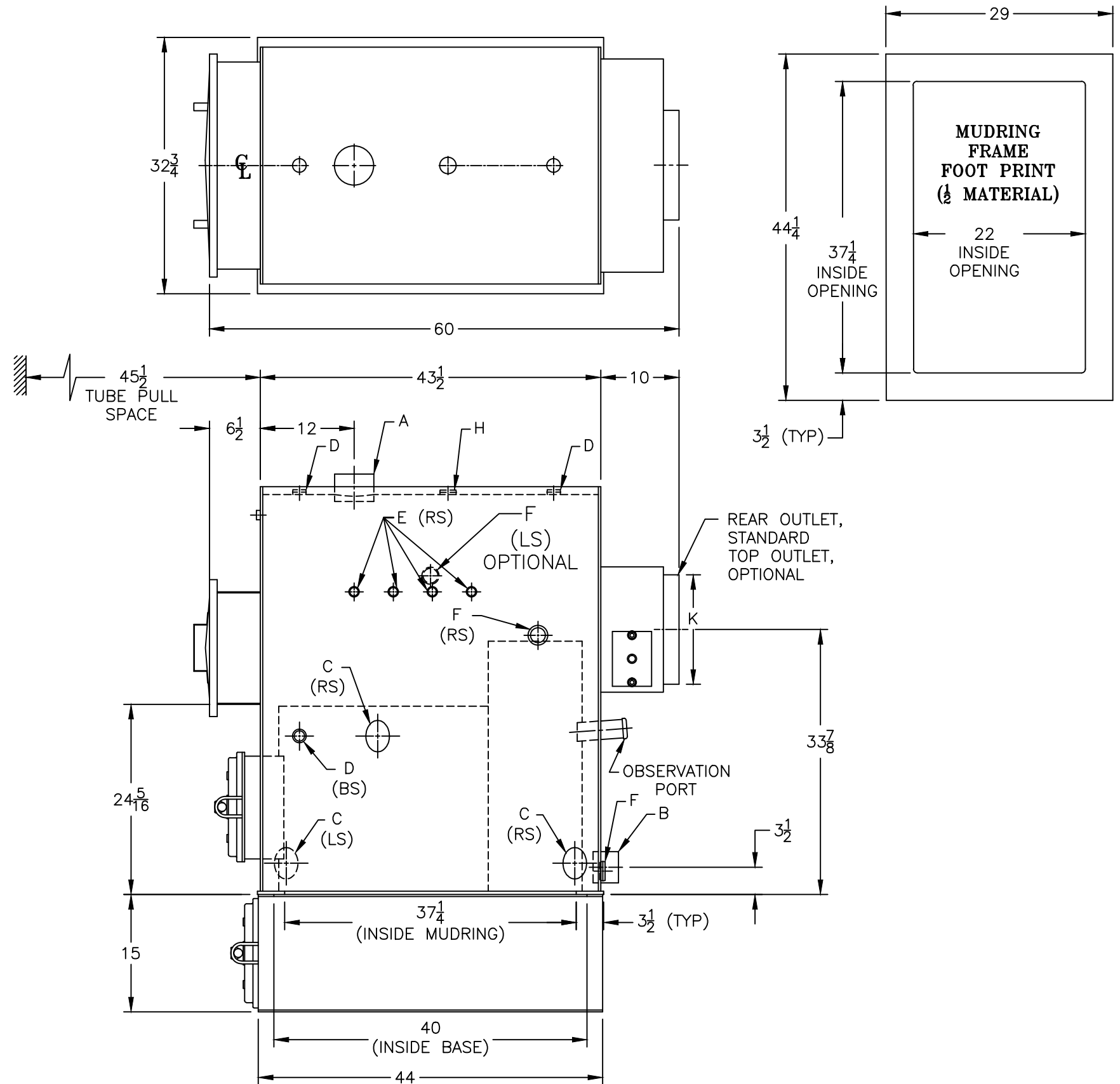
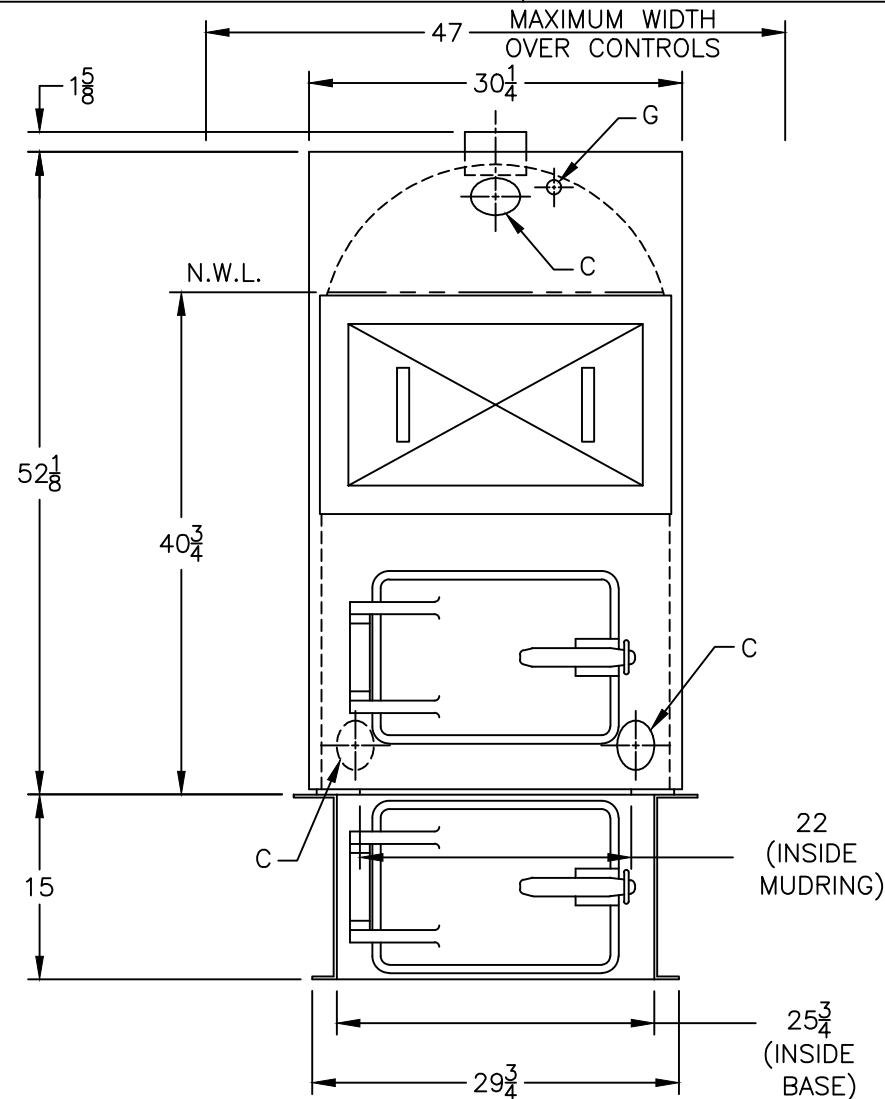
Furnace  
 Volume (Cubic Feet) - 12.8

---

Water Content  
 Steam - 94 Gal. (U.S.)  
 Water - 131 Gal. (U.S.)

---

Approximate Weight (Lb.)  
 Dry - 1900  
 Wet (Steam) - 2680  
 Wet (Water) - 2995



SPECIFICATIONS SUBJECT TO CHANGE WITHOUT NOTICE ALL CONNECTIONS ARE THREADED UNLESS OTHERWISE SPECIFIED  
 THIS DOCUMENT CONTAINS CONFIDENTIAL INFORMATION WHICH IS THE PROPERTY OF BURNHAM COMMERCIAL. THIS DOCUMENT MAY NOT BE REPRODUCED, TRANSFERRED OR USED, OR ITS CONTENTS DISCLOSED, WITHOUT THE WRITTEN PERMISSION OF THE OWNER.

**MODEL 4N-92A**