

# BURNHAM®

## Commercial Boilers

### RATINGS AND DATA

Shell Diameter :  $33\frac{1}{8}$ "

Heating Surface – Sq. Ft.  
 Fireside – 153  
 Waterside – 160

Firetubes  
 Number – 28  
 Diameter – 3" O.D.

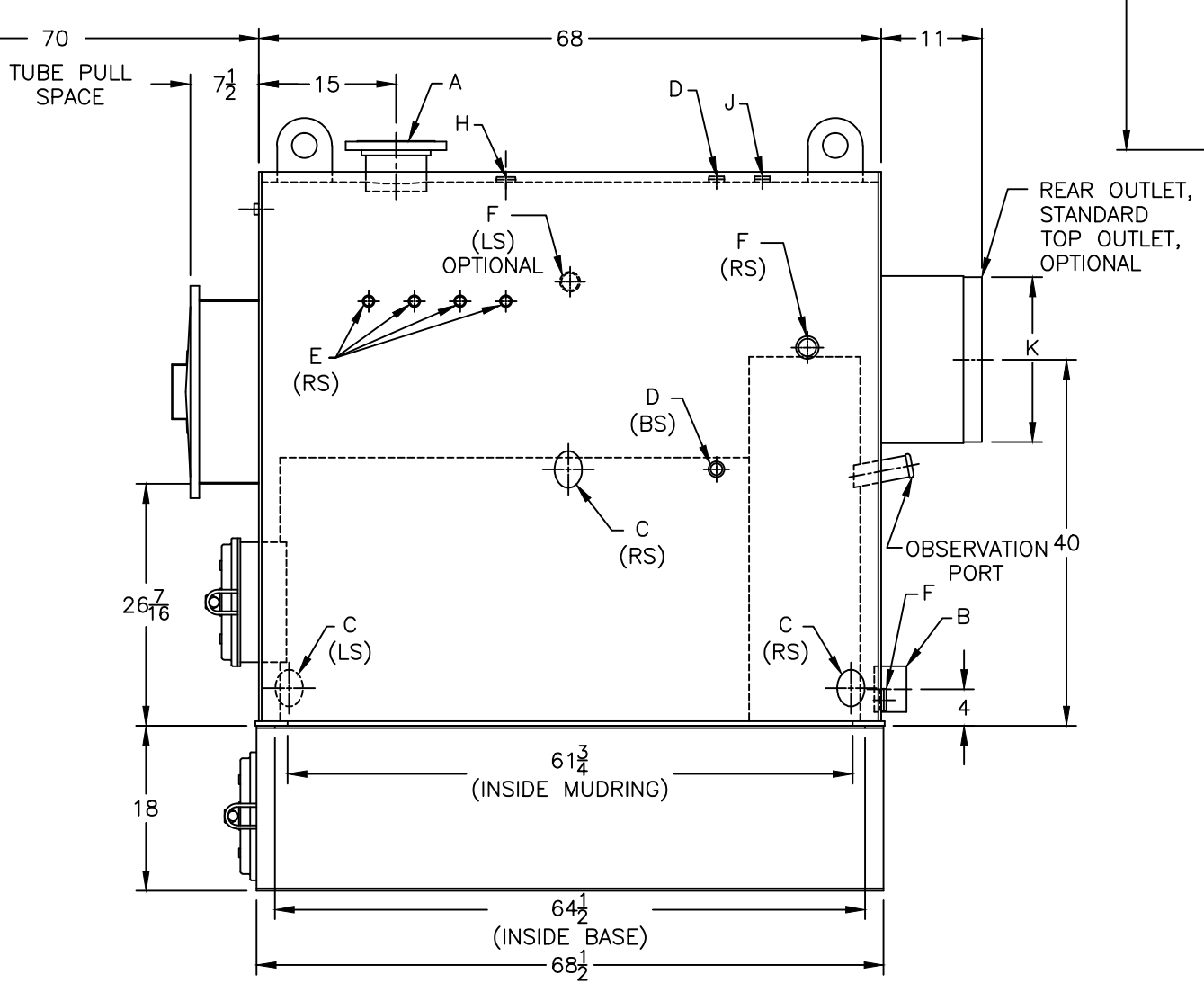
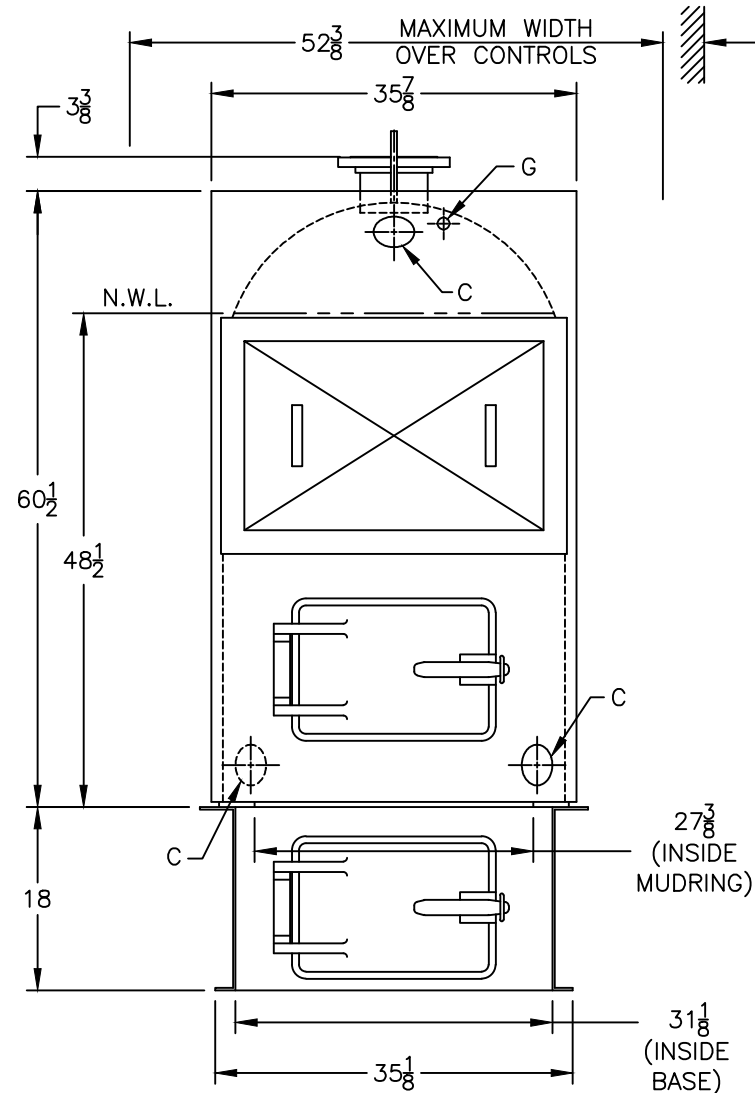
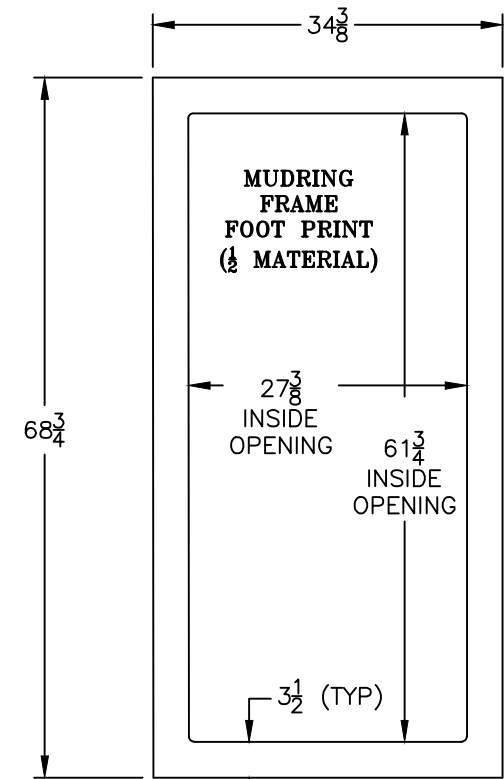
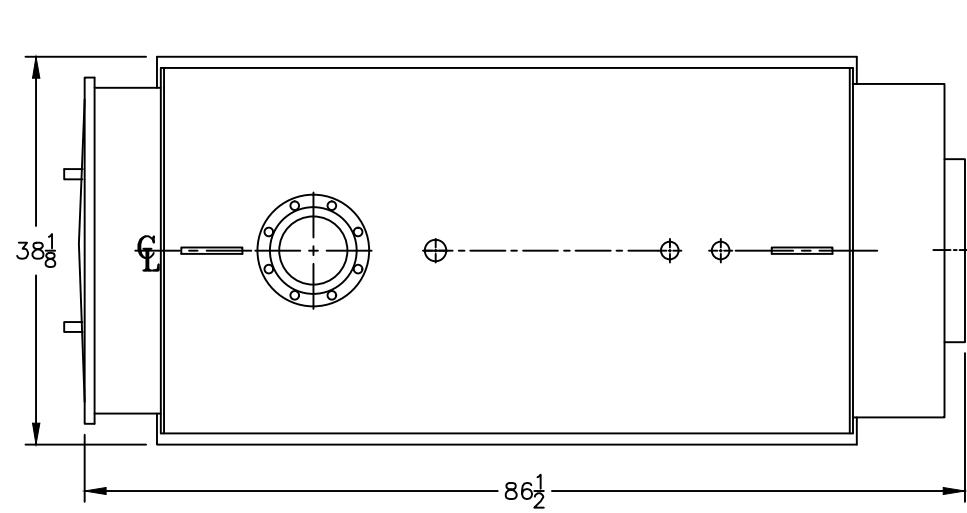
Furnace  
 Volume (Cubic Feet) – 29.9

Water Content  
 Steam – 188 Gal. (U.S.)  
 Water – 258 Gal. (U.S.)

Approximate Weight (Lb.)  
 Dry – 3400  
 Wet (Steam) – 4960  
 Wet (Water) – 5550

### LEGEND CONNECTIONS

- A = 6" FLANGED SUPPLY
- B = 4" RETURN
- C = 3" x 4" HANDHOLE
- D = 1" WATER COLUMN
- E = 3/4" AQUASTAT
- F = 1-1/2" SURFACE BLOWOFF/WASHOUT
- G = 1/2" TEMPERATURE GAUGE
- H = 1-1/2" RELIEF VALVE
- J = 1" AUXILIARY CONNECTION
- K = 18" NOMINAL FLUE DIAMETER



SPECIFICATIONS SUBJECT TO CHANGE WITHOUT NOTICE ALL CONNECTIONS ARE THREADED UNLESS OTHERWISE SPECIFIED

THIS DOCUMENT CONTAINS CONFIDENTIAL INFORMATION WHICH IS THE PROPERTY OF BURNHAM COMMERCIAL. THIS DOCUMENT MAY NOT BE REPRODUCED, TRANSFERRED OR USED, OR ITS CONTENTS DISCLOSED, WITHOUT THE WRITTEN PERMISSION OF THE OWNER.

**MODEL 4N-209A**

NOV 2017 TS-3-52-2