

BURNHAM®

Commercial Boilers

RATINGS AND DATA

Shell Diameter : $41\frac{7}{8}$ "

Heating Surface - Sq. Ft.
 Fireside - 210
 Waterside - 221

Firetubes
 Number - 44
 Diameter - 3" O.D.

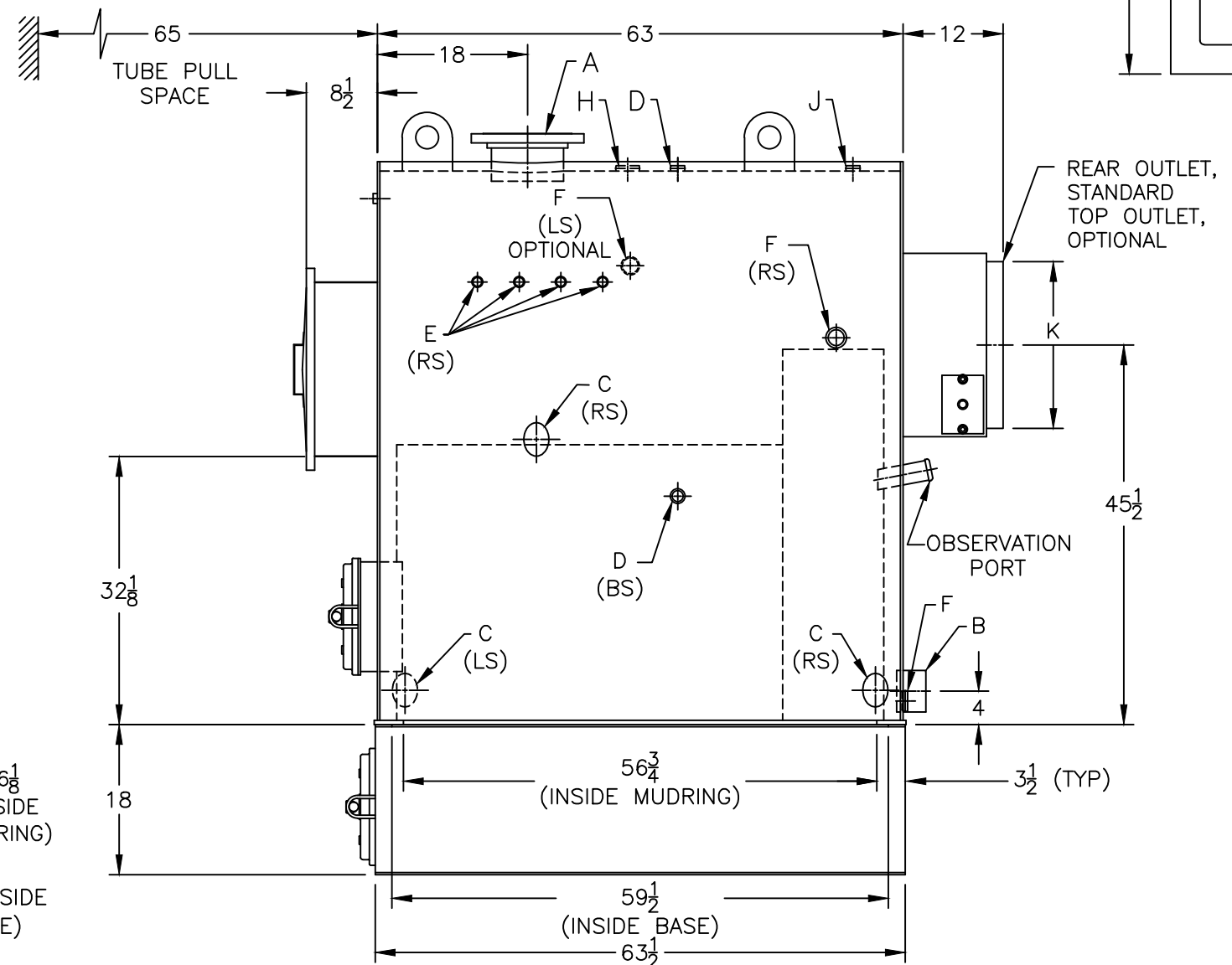
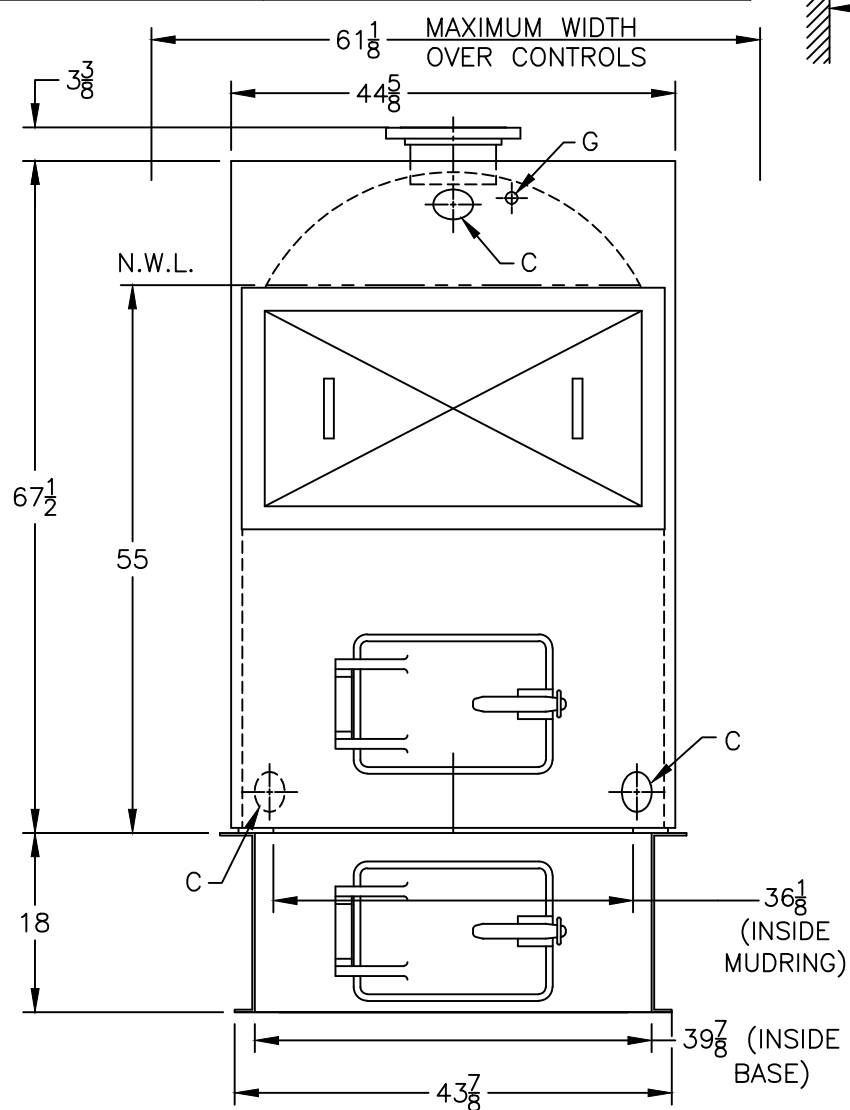
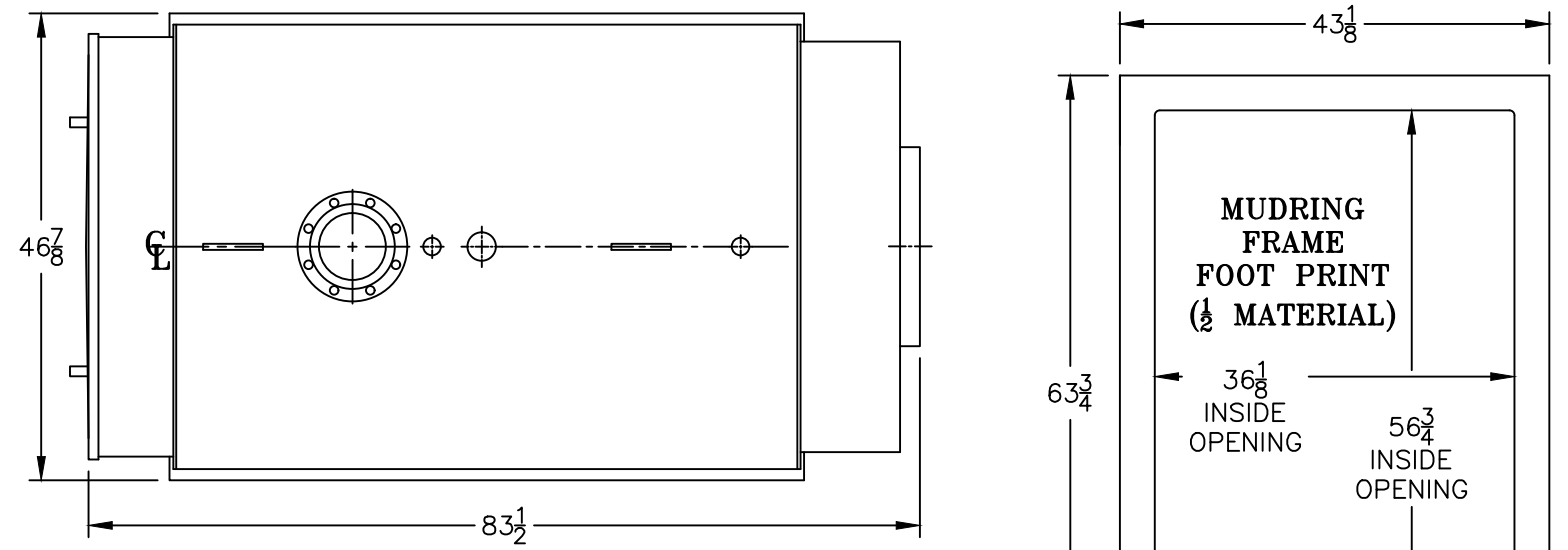
Furnace
 Volume (Cubic Feet) - 40.7

Water Content
 Steam - 233 Gal. (U.S.)
 Water - 313 Gal. (U.S.)

Approximate Weight (Lb.)
 Dry - 4300
 Wet (Steam) - 6240
 Wet (Water) - 6905

LEGEND CONNECTIONS

- A = 8" FLANGED SUPPLY
- B = 4" RETURN
- C = 3" x 4" HANDHOLE
- D = 1" WATER COLUMN
- E = 3/4" AQUASTAT
- F = 1-1/2" SURFACE BLOWOFF/WASHOUT
- G = 1/2" TEMPERATURE GAUGE
- H = 2" RELIEF VALVE
- J = 1" AUXILIARY CONNECTION
- K = 20" NOMINAL FLUE DIAMETER



SPECIFICATIONS SUBJECT TO CHANGE WITHOUT NOTICE ALL CONNECTIONS ARE THREADED UNLESS OTHERWISE SPECIFIED
 THIS DOCUMENT CONTAINS CONFIDENTIAL INFORMATION WHICH IS THE PROPERTY OF BURNHAM COMMERCIAL. THIS DOCUMENT MAY NOT BE REPRODUCED, TRANSFERRED OR USED, OR ITS CONTENTS DISCLOSED, WITHOUT THE WRITTEN PERMISSION OF THE OWNER.

MODEL 4N-277A

NOV 2017 TS-3-54-2