

# BURNHAM®

## Commercial Boilers

### LEGEND CONNECTIONS

- A = 8" FLANGED SUPPLY
- B = 4" RETURN
- C = 3" x 4" HANDHOLE
- D = 1" WATER COLUMN
- E = 3/4" AQUASTAT
- F = 1-1/2" SURFACE BLOWOFF/WASHOUT
- G = 1/2" TEMPERATURE GAUGE
- H = 1-1/2" RELIEF VALVE
- 2" RELIEF VALVE
- J = 1" AUXILIARY CONNECTION
- K = 20" NOMINAL FLUE DIAMETER

### RATINGS AND DATA

Shell Diameter : 47 $\frac{1}{2}$ "

---

Heating Surface - Sq. Ft.  
 Fireside - 397  
 Waterside - 429

---

Firetubes  
 Number - 76  
 Diameter - 3" O.D.

---

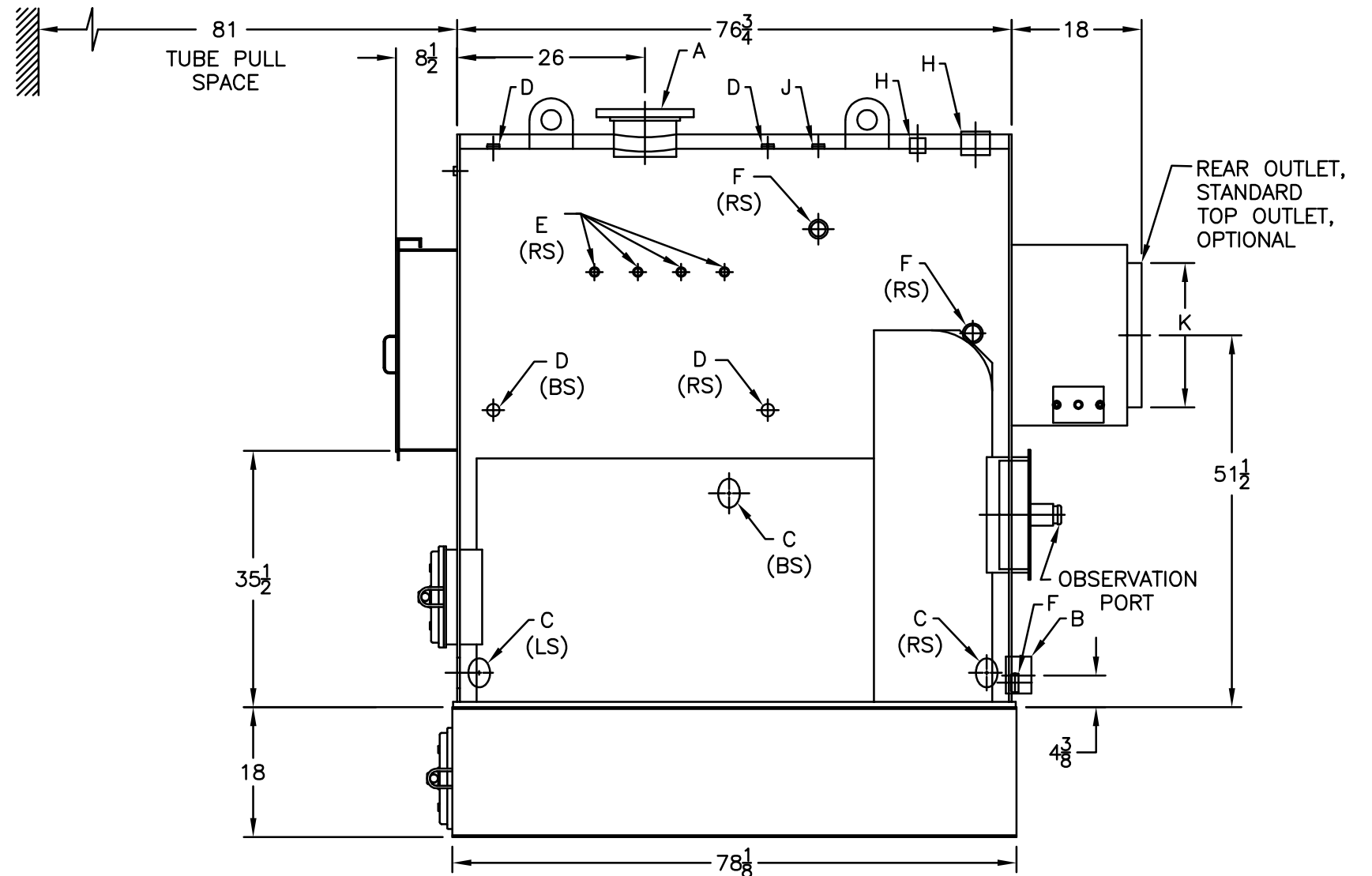
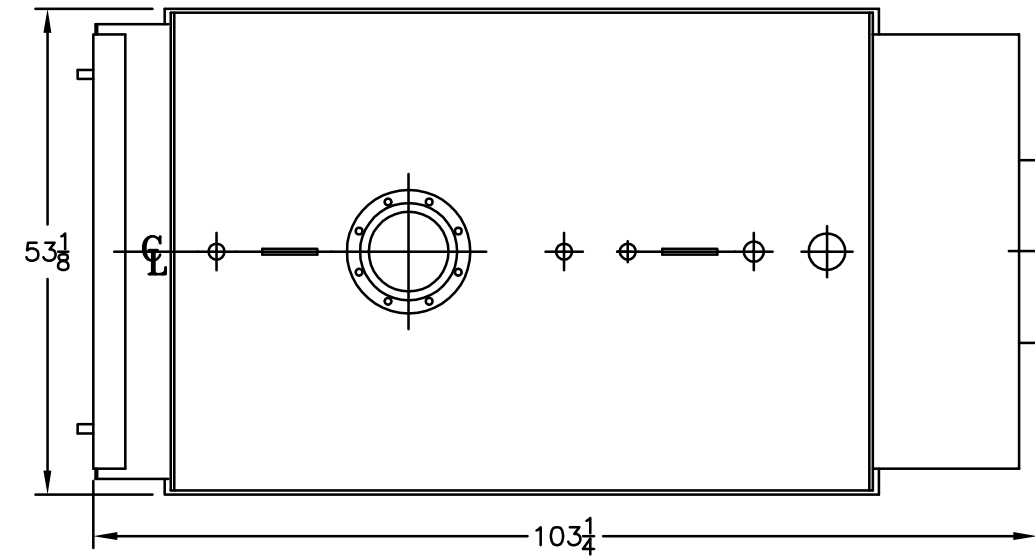
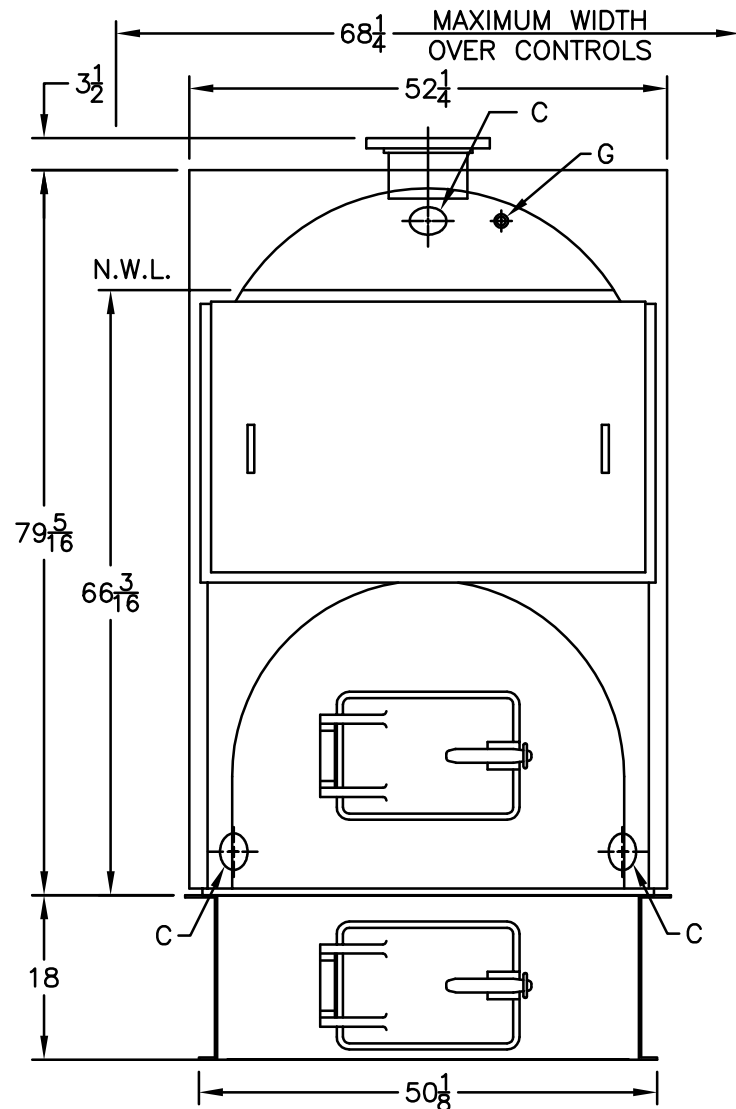
Furnace  
 Volume (Cubic Feet) - 59.2

---

Water Content  
 Steam - 417 Gal. (U.S.)  
 Water - 516 Gal. (U.S.)

---

Approximate Weight (Lb.)  
 Dry - 6500  
 Wet (Steam) - 9960  
 Wet (Water) - 10800



SPECIFICATIONS SUBJECT TO CHANGE WITHOUT NOTICE ALL CONNECTIONS ARE THREADED UNLESS OTHERWISE SPECIFIED  
 THIS DOCUMENT CONTAINS CONFIDENTIAL INFORMATION WHICH IS THE PROPERTY OF BURNHAM COMMERCIAL. THIS DOCUMENT MAY NOT BE REPRODUCED, TRANSFERRED OR USED, OR ITS CONTENTS DISCLOSED, WITHOUT THE WRITTEN PERMISSION OF THE OWNER.

**MODEL 4N-397A**

NOV 2015 TS-3-57-2